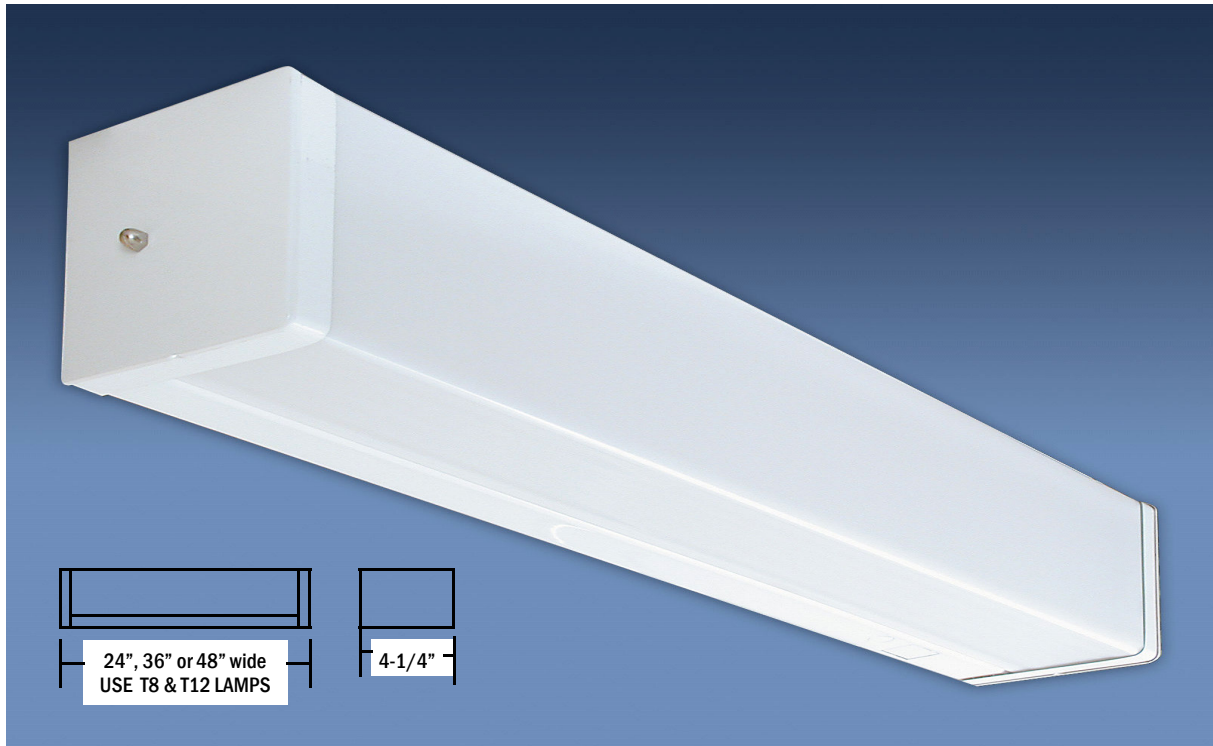




#555 WALL BRACKET (555 Series) 1 or 2 Lamps Fixtures



Designed for Corridors, Lavatories, Stairwells, Aisles, Utility Areas



Options:

Dimming Ballast
Convenience Outlet
Rocker Switch
Night Light
Battery Backup &
Indicator Light
Baffles
Dividers for up,
down, and/or front
light
White Lens
Frosted Lens
Joining Bands

Features:

- **Sleek** prismatic clear acrylic diffuser standard.
- **Housing & Ends** are heavy gauge cold rolled steel with baked white enamel finish.
- **Snap-in Lens** for easy lamp changing.
- **Completely** wired and ready to hang
- **Suitable** for ceiling or wall mounting.
- **Individual** or continuous row applications.
- **Fixtures** individually boxed.

**#555 AVAILABLE ON SPECIAL BODY FOR T5 LAMPS
BODIES APPROX. 2" SHORTER IN LENGTH**

We carry replacement parts for all the fixtures we manufacture

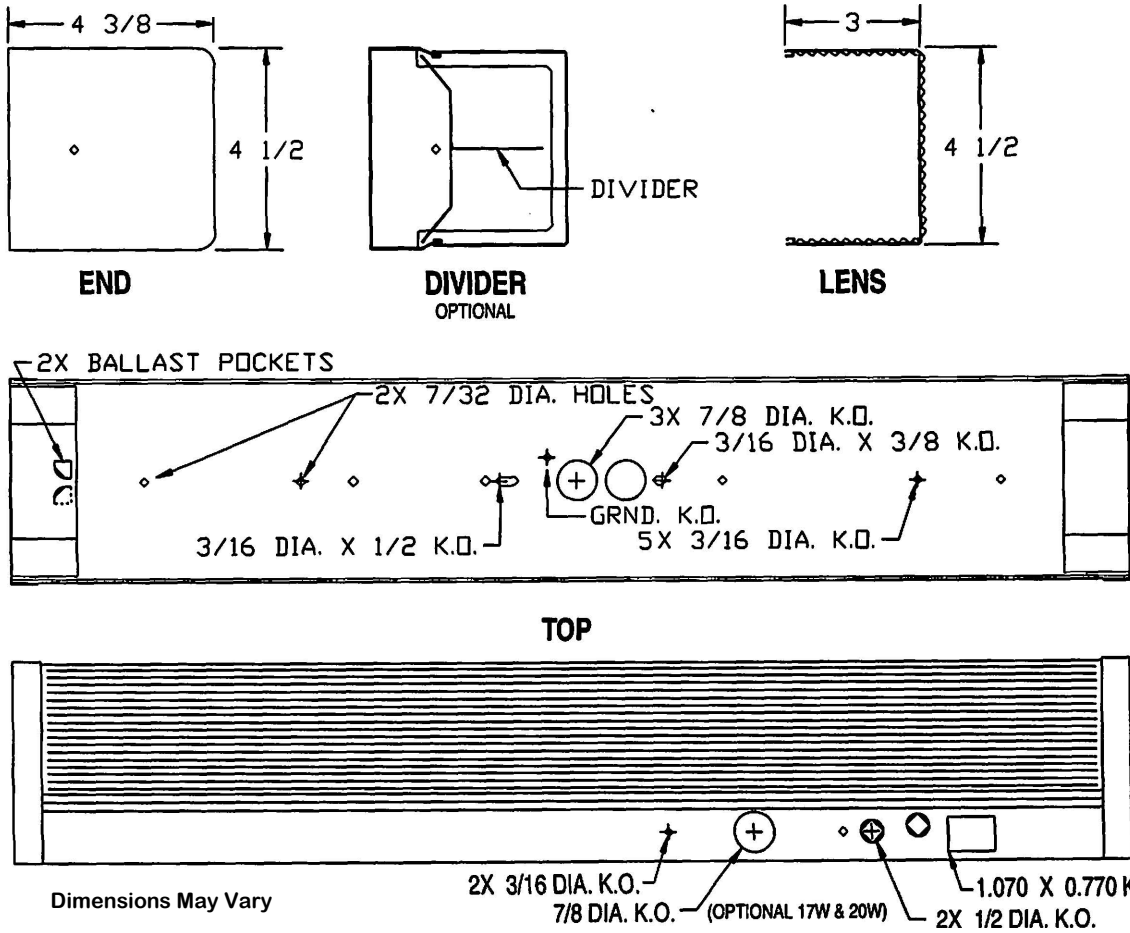
E. B. LIGHTING & SUPPLIES, INC.

1107 East Baltimore St., Baltimore MD 21202

410-276-7617

fax: 410-276-7307

#555 WALL BRACKET DIMENSIONS



BALLAST & LAMP DESCRIPTION:

# LAMPS	WATTS	LAMP TYPE	VOLTAGE	OPTIONS
1	20,30,40 - T12	T12	120	DIM- DIMMING BALLAST
2	17, 25 - T8	T8	277	2BAL- 2 BALLAST
	28, 32 - T8	T5	C-UNIV.	EMG- EMERGENCY BALLAST
	14, 28, 54 - T5		120-277	ISN - HIGH EFFICIENCY / NORMAL POWER
	SPECIAL BODY			ISH - HIGH EFFICIENCY / HIGH POWER
				ISL - HIGH EFFICIENCY / LOW POWER



E.B. LIGHTING & SUPPLIES, INC.
 1107 East Baltimore Street
 Baltimore MD 21202
 410-276-7617 fax: 410-276-7307