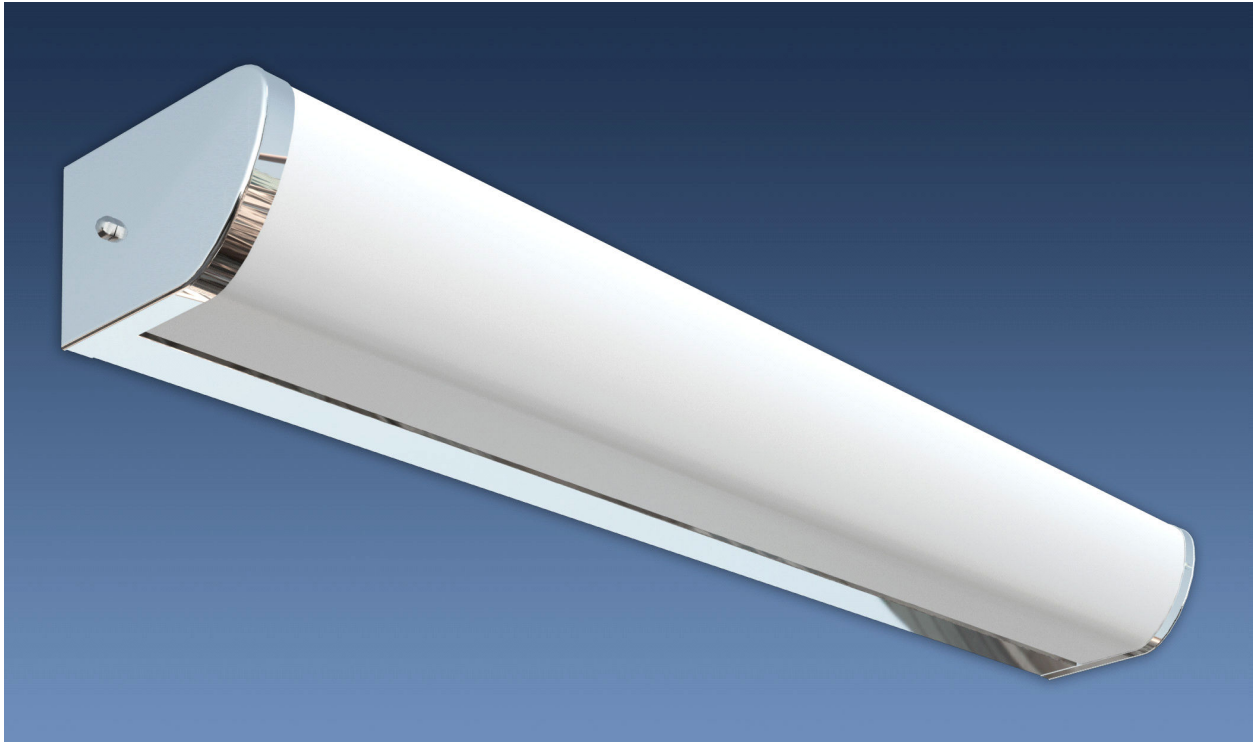




## #74 VANITY BRACKET (74 Series) 1 or 2 LIGHT FIXTURES



*Designed for Bathrooms, Kitchens, Vanities, Bars, Over Mirrors*



### Options:

Dimming Ballast  
Emergency Backup  
Convenience  
Receptacle  
Continuous Row Bands  
Other Body Finishes

### **Features:**

- **Attractive** decorative one or two light chrome fixture provides softly angled light.
- **High Impact**, durable ribbed acrylic lens.
- **Chrome** plated steel housing and end caps.
- **Optics** acrylic diffuser provides soft even, comfortable illumination.
- **Contour** bands available to provide continuous row mounting.
- **Knockouts** for all standard installation.
- **Completely** wired and ready to hang.

**We carry replacement parts for all the fixtures we manufacture**

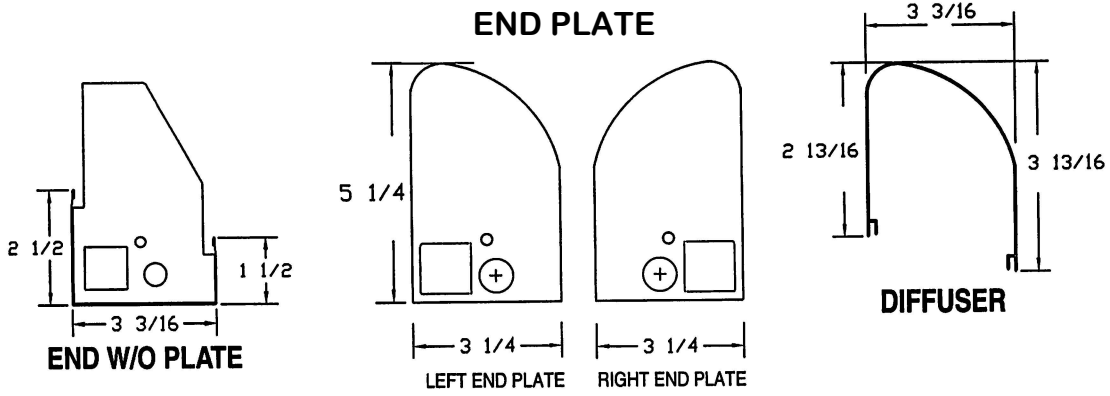
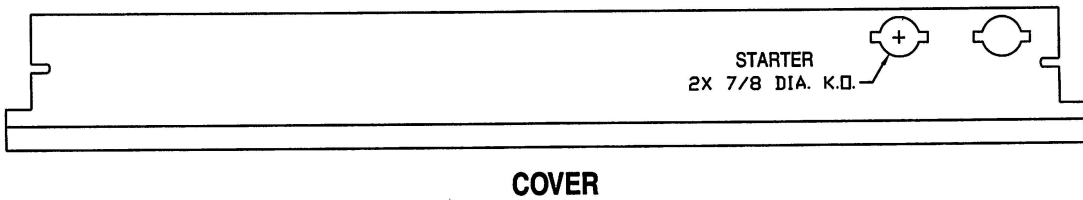
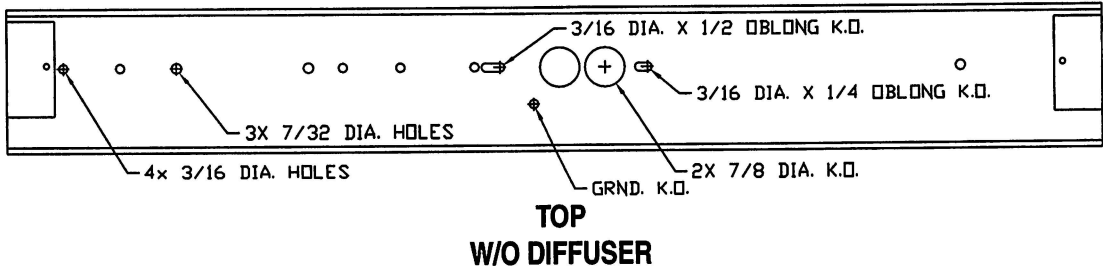
**E. B. LIGHTING & SUPPLIES, INC.**

1107 East Baltimore St., Baltimore MD 21202

410-276-7617

fax: 410-276-7307

# #74 WALL BRACKET DIMENSIONS



**ORDERING:**

<b>74</b>	/	/	/	/
# LAMPS	WATTS & LAMPS	VOLTAGE	OPTIONS	
1 2	15w - T12 20, 30, 40w - T12 17, 25, 32w - T8	120 277 C- UNIV 120-277	DIM- DIMMING BALLAST 2BAL- 2 BALLAST EMG- EMERGENCY BALLAST ISN - HIGH EFFICIENCY / NORM ISH - HIGH EFFICIENCY / HIGH ISL - HIGH EFFICIENCY / LOW C/O - CONVEIENCE OUTLET	



**E.B. LIGHTING & SUPPLIES, INC.**  
 1107 East Baltimore Street  
 Baltimore MD 21202  
 410-276-7617      fax: 410-276-7307