



CHANNEL STRIPS (Series ST)
ONE LAMP 18", 2', 3', 4', 6', 8' 

Designed for Coves, Garages, Storage & Utility Areas, Workshops



Options:

Emergency Ballast
Dimming Ballast
Wire Guards
Alignment Clips
Plug & Cords
Switches
V Hooks
S Hooks
Jack Chain
Reflectors
Plastic Sleeves

Features:

- **Housing** is heavy 23 gauge prime cold rolled steel.
- **Pre-painted** high-reflectance white housing.
- **Mounting** holes are provided for surface, chain, stem-mounted, V Hangers or air-craft cable.
- **Versatile End –Plates** doubles as coupler for continuous mounting.
- **Completely** wired and ready to hang.
- **Available** in T5, T8, T12 (*but not all lengths*)

We carry replacement parts for all the fixtures we manufacture

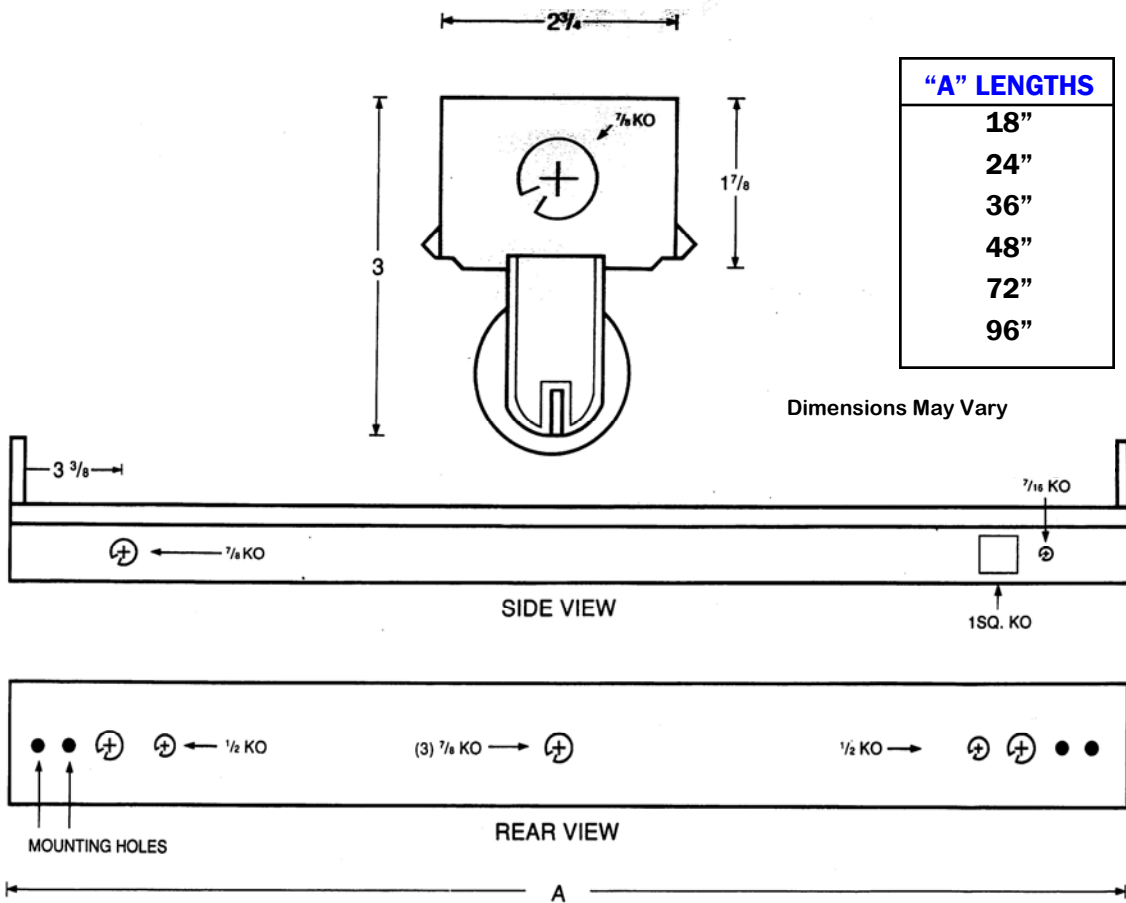
E. B. LIGHTING & SUPPLIES, INC.

1107 East Baltimore St., Baltimore MD 21202

410-276-7617

fax: 410-276-7307

ONE LIGHT STRIP DIMENSIONS



BALLAST & LAMP DESCRIPTION:

ST	# LAMPS	WATTS & LAMPS	VOLTAGE	OPTIONS
□ / □ / □ / □	1	17, 25, 32, 59 — T8 14, 28 & 54 — T5 15, 20, 30 — T12 40, 72, 96 — T12	120 277 C-UNIV. 120-277	DIM- DIMMING BALLAST EMG- EMERGENCY BALLAST ISN - HIGH EFFICIENCY / NORMAL POWER ISH - HIGH EFFICIENCY / HIGH POWER ISL - HIGH EFFICIENCY / LOW POWER

ADD "T" FOR TANDEM



E.B. LIGHTING & SUPPLIES, INC.

1107 East Baltimore Street
Baltimore MD 21202

410-276-7617

fax: 410-276-7307

www.eblights.com

email: eb@eblights