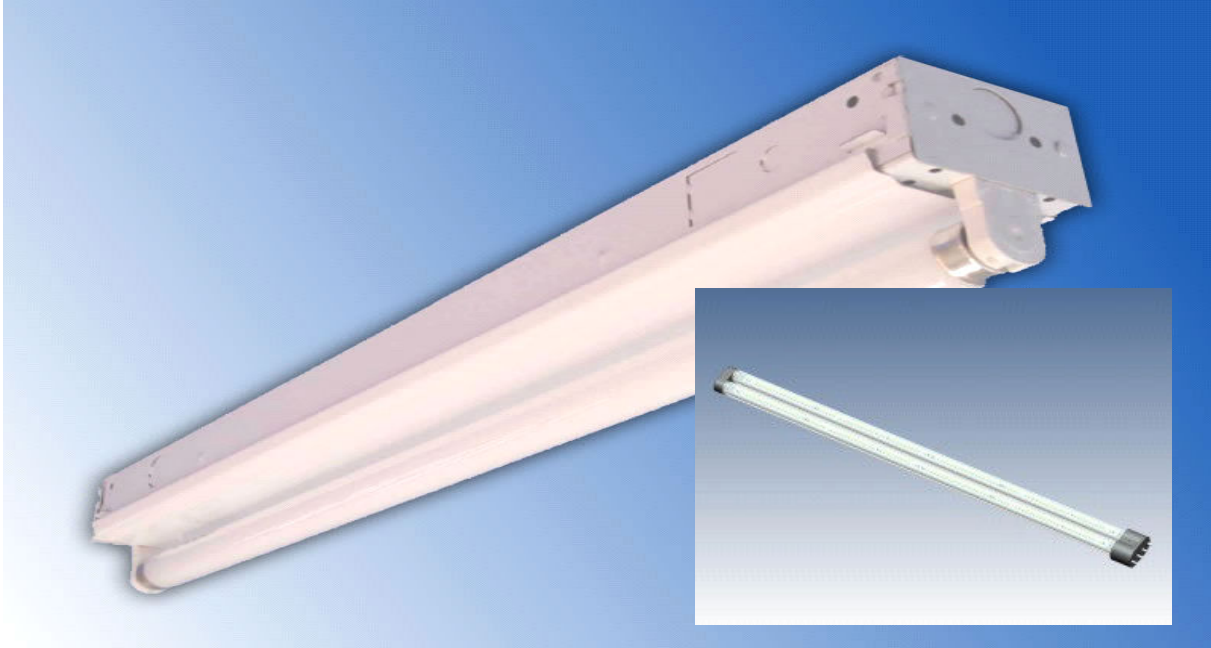




BI-AX STRIPS (Series BI-AX)
ONE LAMP 15", 2', 3', 4', 6', 8' 

Designed for Retail Stores, Stairwells, Coves, Utility & Storage Areas, Displays



Options:

Convenience Outlet
Pull Switch
Various Temp Lamps
Stems

Features:

- **All-Purpose** economy bi-ax-type fluorescent strip, suitable for a wide range of applications
- **Easy Mounting** and maintenance
- **Housing** baked white enamel finish.
- **Heavy** die formed cold rolled steel.
- **Ends** can be used as couplers when fixtures are installed in continuous rows.
- **Can be** surface mounted for stem hung.

We carry replacement parts for all the fixtures we manufacture

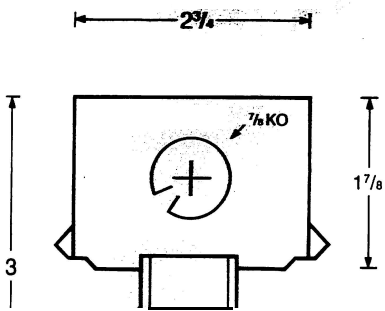
E. B. LIGHTING & SUPPLIES, INC.

1107 East Baltimore St., Baltimore MD 21202

410-276-7617

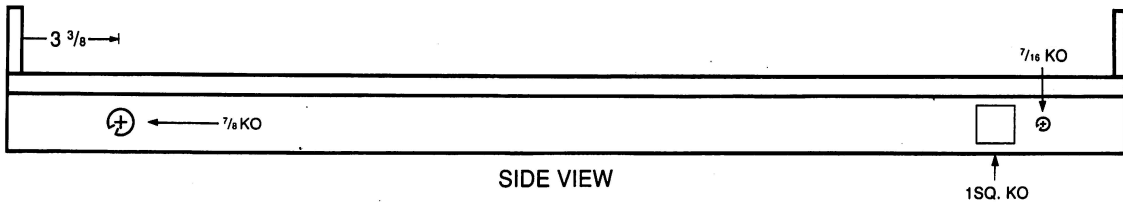
fax: 410-276-7307

ONE LIGHT STRIP DIMENSIONS

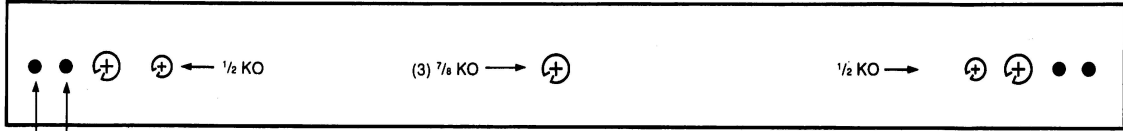


"A" LENGTHS	
1/24	15" LONG
1/36	18" or 24" LONG
1/40	24" LONG
1/50	24" LONG
2/40	36" or 48" LONG
2/50	36" or 48" LONG

Dimensions May Vary



SIDE VIEW



REAR VIEW

BALLAST & LAMP DESCRIPTION:

ST	# LAMPS	WATTS & LAMPS	VOLTAGE	OPTIONS
1	17, 25, 32, 59 — T8 14, 28 & 54 — T5 15, 20, 30 — T12 40, 72, 96 — T12	120 277 C-UNIV. 120-277	DIM- DIMMING BALLAST 2BAL- 2 BALLAST EMG- EMERGENCY BALLAST ISN - HIGH EFFICIENCY / NORM ISH - HIGH EFFICIENCY / HIGH ISL - HIGH EFFICIENCY / LOW	

ADD "T" FOR TANDEM



E.B. LIGHTING & SUPPLIES, INC.
 1107 East Baltimore Street
 Baltimore MD 21202
 410-276-7617 fax: 410-276-7307