



CITADEL 2 VAPOR (Series CT) 2' 4' and 8' Lengths



Designed for: Parking Garages, Under Awnings, Car Washes, etc.



Options:

2', 4' and 8' sizes
Varies Reflectors
Stainless Steel
Mounting Brackets
Tamper Latches
Frosted Lenses
LIRA Deep Lens

***Frosted Lens output
Approx. 20% more
Lumens than Clear Lens**

***Ideal for
Wet or Dusty
Locations!***

Features:

- **Fiberglass** housings with continuous closed cell gasket and cam latches seal the enclosures.
- **Tough Diffusers** resist breakage and reduce replacement and maintenance costs.
- **Mounting** system can provide dramatic savings on the installation time.
- **Optics:** clear ribbed lens (standard) for energy efficiency: designed for use with reflectors.
- **Utilizes** off the shelf 1/2" fittings.
- **No Holes** ever have to be drilled through the housing for installation.
- **Fixture** individually boxed

We carry replacement parts for all the fixtures we manufacture

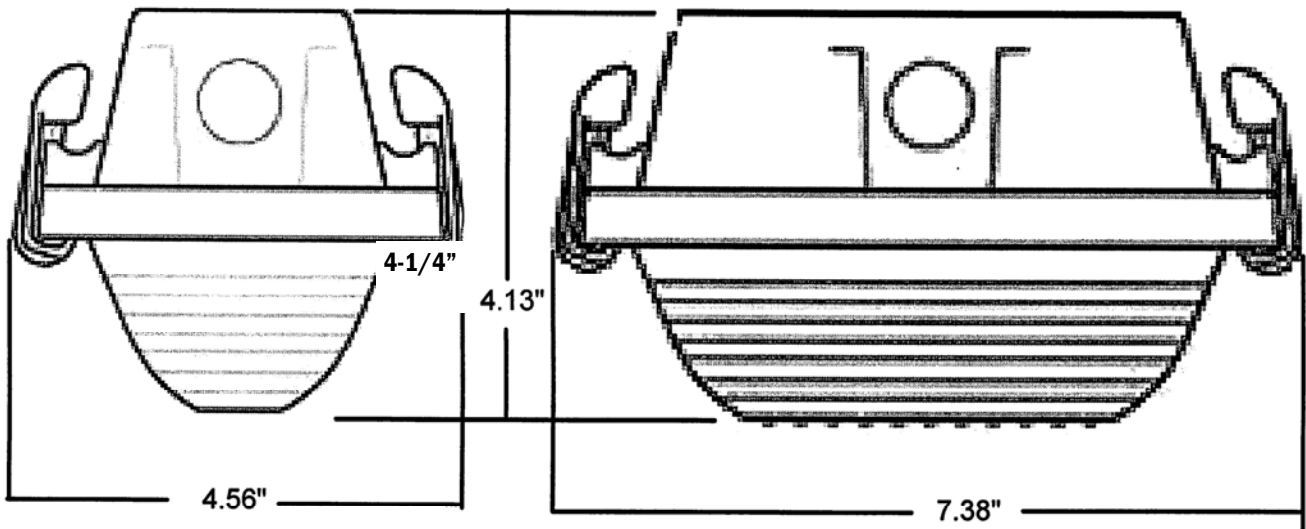
E. B. LIGHTING & SUPPLIES, INC.

1107 East Baltimore St., Baltimore MD 21202

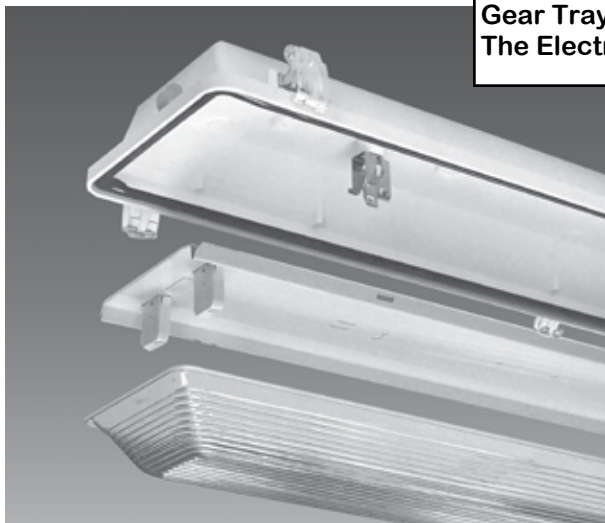
410-276-7617

fax: 410-276-7307

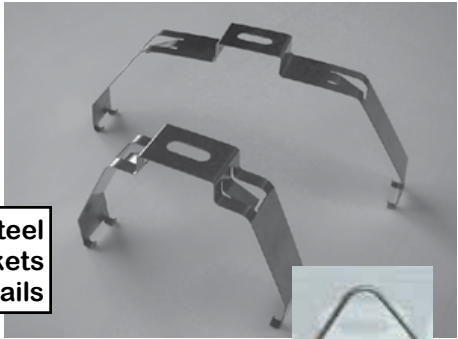
CT2 ORDERING DIMENSIONS



ALL DIMENSIONS SUBJECT TO CHANGE



Gear Trays Carry all The Electrical Gear



Stainless Steel Mounting Brackets And Bails



Latching System

ORDERING:

CT2		/		/		/		/		
	# LAMPS		LAMPS TYPE		# BALLAST		VOLTAGE		OPTIONS:	
	1		14 & 24 T5 -2 FT		1		120v		EMG- EMERGENCY BALLAST	
	2		17 T8 -2 FT		2		277v		ISN- HIGH EFFICIENCY / NORMAL POWER	
	3		28 & 54 T5 -4 FT				480v		ISH- HIGH EFFICIENCY / HIGH POWER	
			32 & 48 T8 - 4 FT				C-120-277v		ISL- HIGH EFFICIENCY / LOW POWER	
			59 & 86 T8 -8 FT						ISL- HIGH EFFICIENCY / LOW POWER	

FOR TANDEM T5 & T8 UNITS ADD PREFIX "T" EXAMPLE: TCT2

CLEAR RIBBED
or FROSTED**
****FROSTED LENS OUTPUT APPROX 20% MORE LUM**

E. B. LIGHTING & SUPPLIES, INC.

1107 East Baltimore St., Baltimore MD 21202
www.eb@eblights.com

410-276-7617 fax: 410-276-7307
email: eb@eblights.com