



**CLOUD SQUARE (PREMIUM) #CL-SQ**  
**1x 4' 2x2' and 2x4'**



*Designed for Kitchens, Utility Areas & Recreation Rooms*



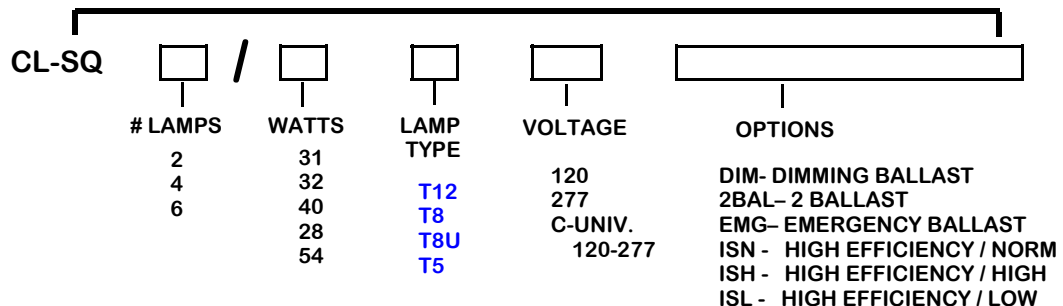
**Options:**  
 Emergency Ballast  
 Dimming Ballast  
 Stems & Canopy

**Features:**

- **Decorative** surface mounted unit provides unique floating cloud appearance, that offers the widest spread of light.
- **White** opal acrylic, with flat surfaces and square corners provide a contemporary styling
- **Diffuser**, self aligns and hinges from either side for easy maintenance
- **Overall** shallow depth enhances versatility.
- **Attractive white** housing is heavy gauge
- **All interior** surfaces are high reflectance baked white

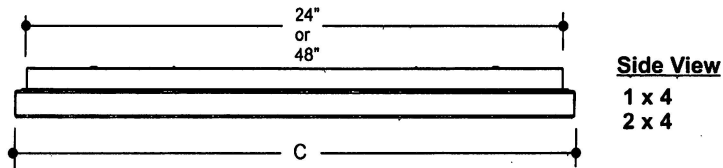
**We carry replacement parts for all the fixtures we manufacture**

**BALLAST & LAMP DESCRIPTION:**

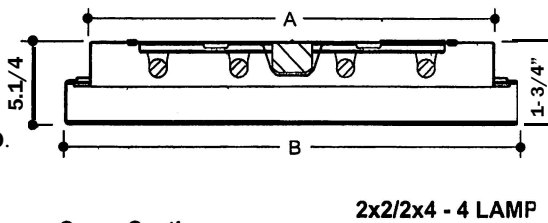
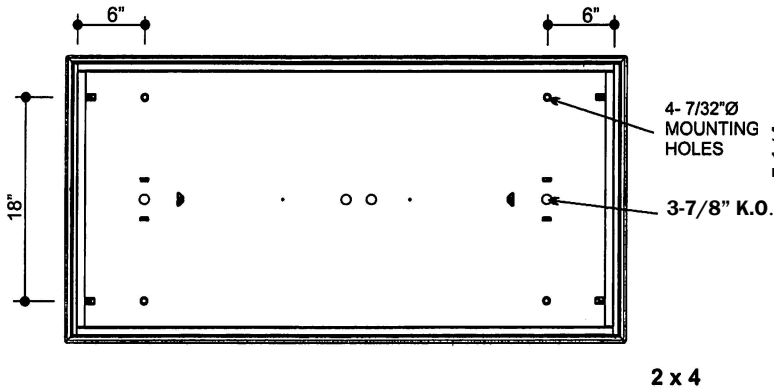
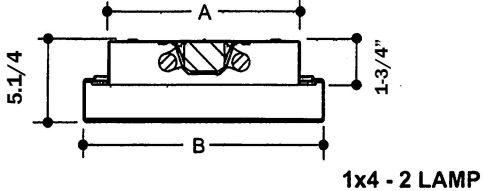
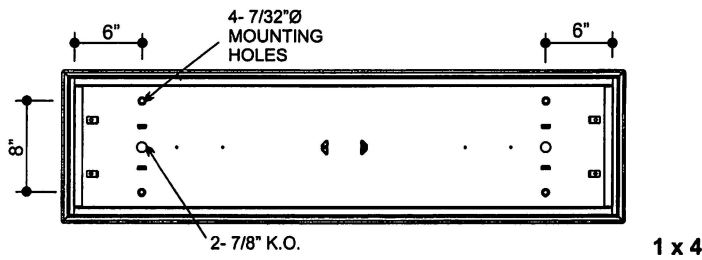


**E. B. LIGHTING & SUPPLIES, INC.**

# PREMIUM SQUARE CLOUD DIMENSIONS



MODEL	A (In.)	B Nominal (In.)	C Nominal (In.)
1 x 4	9-7/8"	13 1/2	50
2 x 4	21-7/8"	25 1/2	50
2 x 2	21-7/8"	25 1/2	26



**Cross Sections**

*Fixture Dimensions may vary.*

**Top Views**



**E.B. LIGHTING & SUPPLIES, INC.**  
1107 East Baltimore Street  
Baltimore MD 21202  
410-276-7617      fax: 410-276-7307