



INDUSTRIAL ONE LAMP (IN-1) 2', 3', 4', 6', 8' BI-BIN & HO



Designed for Coves, Garages, Storage & Utility Areas, Workshops



Options:

Emergency Ballast
Dimming Ballast
Wire Guards
Alignment Clips
Plug & Cords
Switches
V Hooks
S Hooks
Jack Chain
Plastic Sleeves

Features:

- **Housing** is heavy 23 gauge prime cold rolled steel.
- **Pre-painted** high-reflectance white housing.
- **Reflectors** are white roll formed for consistent alignment and rigidity.
- **Mounting** holes are provided for surface, chain, stem-mounted, V Hangers or air-craft cable.
- **Versatile End -Plates** doubles as coupler for continuous mounting.
- **Completely** wired and ready to hang.
- **Available** in T5, T8, T12 (*but not all lengths*)

We carry replacement parts for all the fixtures we manufacture

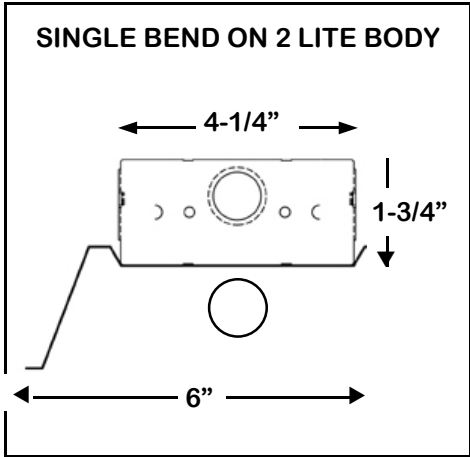
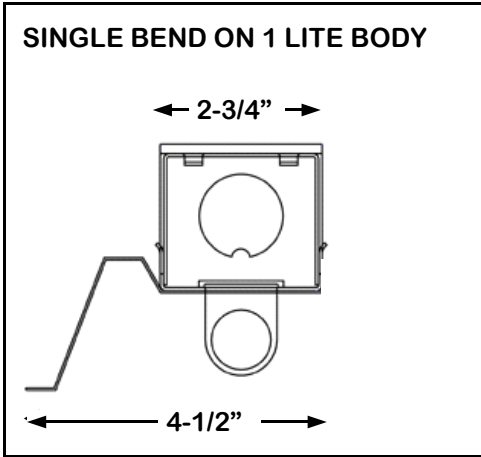
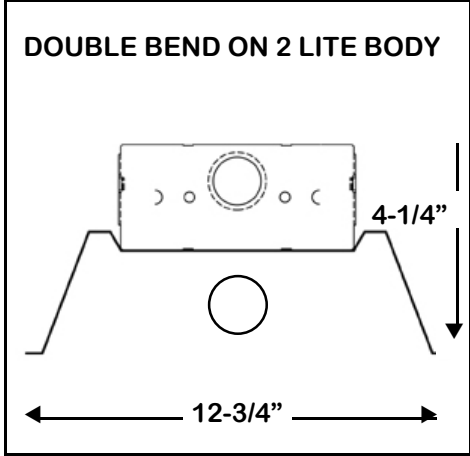
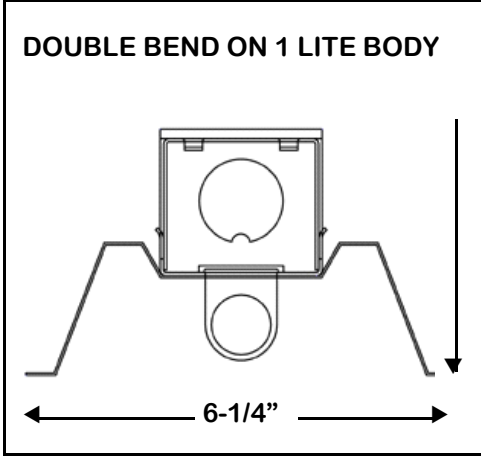
E. B. LIGHTING & SUPPLIES, INC.

1107 East Baltimore St., Baltimore MD 21202

410-276-7617

fax: 410-276-7307

ONE LIGHT INDUSTRIAL DIMENSIONS



Dimensions May Vary

BALLAST & LAMP DESCRIPTION:

IN-1 # LAMPS 1	 WATTS & LAMPS 17, 25, 32, 59 — T8 28 & 54 — T5 40, 72, 96 — T12	 VOLTAGE 120 277 C-UNIV. 120-277	 OPTIONS DIM- DIMMING BALLAST EMG- EMERGENCY BALLAST ISN - HIGH EFFICIENCY / NORMAL POWER ISH - HIGH EFFICIENCY / HIGH POWER ISL - HIGH EFFICIENCY / LOW POWER
---------------------------------	------------------------------------------------------------------------------	-------------------------------------------------	----------------------------------------------------------------------------------------------------------------------------------------------------------------------------------

ADD "T" FOR TANDEM



E.B. LIGHTING & SUPPLIES, INC.
 1107 East Baltimore Street
 Baltimore MD 21202
 410-276-7617 fax: 410-276-7307