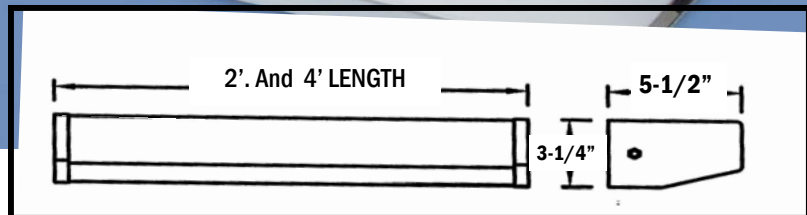




## #741 VANITY BRACKET (741 Series) 2' & 4" (Series LED)



*Designed for Hospitals, Nursing Homes, Corridors, Over beds & Desks*



### Options:

Convenience  
Receptacle  
Continuous Row Bands  
Other Body Finishes  
White Lens  
Frosted Lens

### Features:

- **Attractive** decorative chrome fixture provides softly angled light.
- **High Impact**, durable ribbed acrylic lens.
- **Chrome** plated steel housing and end caps.
- **Optics** acrylic diffuser provides soft even, comfortable illumination.
- **Contour** bands available to provide continuous row mounting.

**We carry replacement parts for all the fixtures we manufacture**

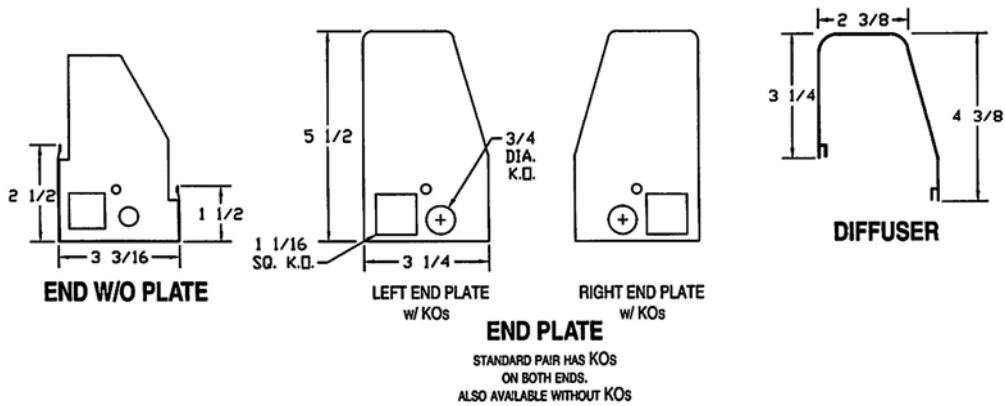
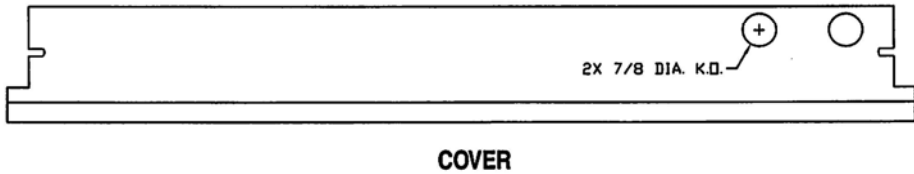
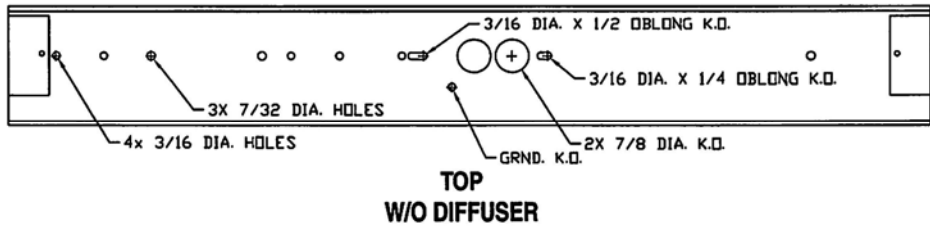
**E. B. LIGHTING & SUPPLIES, INC.**

1107 East Baltimore St., Baltimore MD 21202

410-276-7617

fax: 410-276-7307

# LED #741 WALL BRACKET DIMENSIONS



**LED741**



**ALL OPTIONS CAN BE MODIFIED TO CUSTOM BUILD TO YOUR SPECS**

**2 FT**  
1800/19  
2300/24  
3700/38  
**4 FT**  
2300/24  
4600/49  
6500/65  
7400/76

**KELVIN**  
3000  
3500  
4000  
5000

**VOTAGE**  
C- 120-277v  
480-480v

**OPTIONS**

EMG-EMERGENCY BACKUP  
WHT—WHITE LENS  
FROST— FROSTED LENS  
JOIN— JOINING BANDS  
DIV— DIVIDERS

**DIMMING**  
BLANK-10V IS STANDARD  
STEP-STEP DIMMING



**E.B. LIGHTING & SUPPLIES, INC.**  
1107 East Baltimore Street  
Baltimore MD 21202  
410-276-7617 fax: 410-276-7307  
www.eblights.com email: eb@eblights