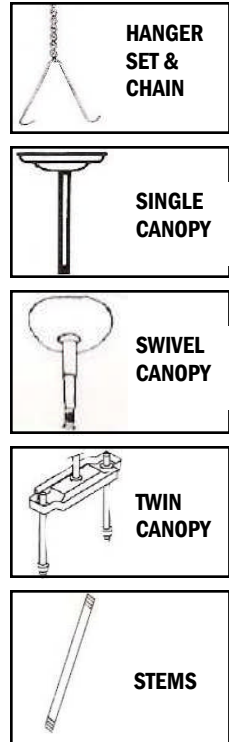




**LED HI-BAYS (Series LHB)
4 or 6 LED STRIPS**



Designed for Sports, School, Industrial Manufacturing, Warehouse, Retrofit



**CUSTOM BUILD TO YOUR SPECS:
CHOOSE YOUR LUMENS, KEVINS & VOLTAGE**

- Options:**
- Emergency Power Pack
 - Step Dimming
 - Various Hanging
 - Motion Sensors
 - Cord & Plug
 - Whips
 - Cable Kits
 - Various Lens

Features:

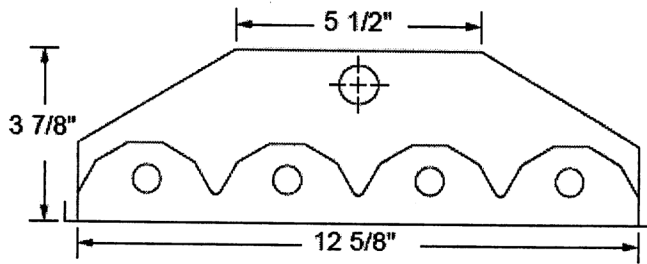
- **Construction:** die & brake formed, 20 gauge cold rolled steel housing assembly. Spot-welded for rigidity and clean appearance.
- **Mounting:** knock out is provided for single stem (3/4" rigid pipe). Many other options (shown).
- **Finish:** powder painted white, high reflectivity coated, reflecting surfaces for efficiency.
- **Optics:** VF-1 reflectors are standard and made of specular anodized aluminum 94% or better.
- **Completely** wired and ready to hang.
- **Fixture** individually boxed

We carry replacement parts for all the fixtures we manufacture

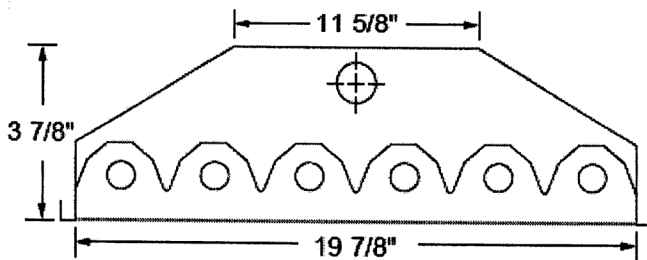
E. B. LIGHTING & SUPPLIES, INC.

1107 East Baltimore St., Baltimore MD 21202 410-276-7617 fax: 410-276-7307

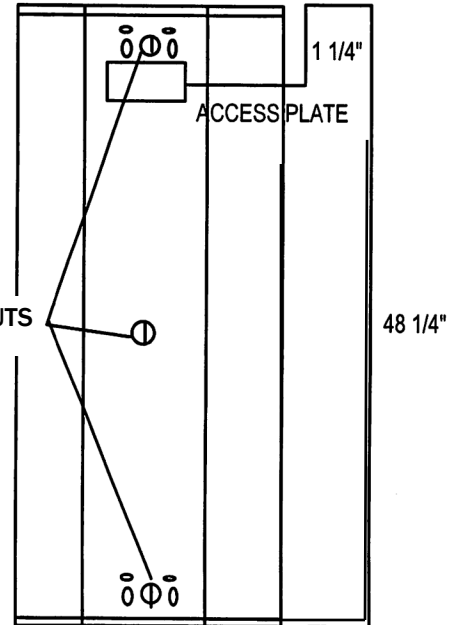
LED HI-BAY SERIES DIMENSIONS



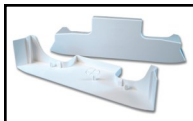
4 LED STRIP HIGH BAY END



6 LED STRIP HIGH BAY END VIEW



Dimensions May Vary



4 STRIP END CAPS

STYLES & DIM. SUBJECT TO CHANGE



6 STRIP END CAPS

HI-BAY ACCESSORIES

<p>DOOR & LENSES</p>	<p>CABLE MOUNT</p>	<p>DOOR FRAME</p>	<p>WIRE GUARDS BOTH 4 LIGHT or 6 LIGHT AVAILABLE</p>
--------------------------	--------------------	-------------------	--

Ordering Information:

LHB

WE WILL CUSTOM BUILD TO YOUR SPECS: CALL 410-276-7617

- 1- CHOOSE FIXTURE SIZE
- 2- CHOOSE LUMENS
- 3- CHOOSE WATTS
- 4- CHOOSE KELVINS/COLOR TEMP.
- 5- CHOOSE VOLTAGE

DIMMING: BLANK- 10v STANDARD

- EM- EMERGENCY BALLAST
- STEP- STEP DIMMING
- WHIP- FLEXIBLE WHIP
6' x 3' #18 GA
- LEN OPTIONS- SELECT ONE:
LEX- C;EAR ;LEXAN LENS
PRIS- PRISMATIC LENS
WH- WHITE REFLECTORS
- SEN- SENSOR
- CAB- CABLE KITS
- C&P- CORD & PLUG

E. B. LIGHTING & SUPPLIES, INC.