



LED RDI CENTER BASKET (LED RDI-C) 1x4' 2x2' and 2x4' Recessed



Designed for Classrooms, Corridors, Office Areas, Retail & Supermarkets

FEATURES:

Perforated baffle and curved reflector produce a combination of direct and indirect light, fully illuminating the fixture housing.

Soft, balanced illumination for a contemporary appearance and comfortable low glare light.

Housing and reflector are fully recessed above the ceiling plane.

Translucent, opal white acrylic diffuser overlay.

Clean appearance with no exposed fasteners.



Options:

Emergency Power pack.
Earth quake clips (for air handling units).
Radio interference filter.
Fuse holder.
Flexible metal whip-6'x 3/8" gauge conductors.
Air return slots

**Shallow design
Accommodates
Mounting into low
Ceiling Plenums.
For use in indoor
Applications where
Low glare and
High performance
are needed.**

Features:

- **Construction:** Die-formed and spot welded, heavy gauge cold rolled steel housing assembly. Precision formed, cold rolled steel reflector. Die formed, perforated cold rolled steel shielding. Metal shielding flexes over mounting studs on housing for easy installation. Wiring access plate is provided on back of housing, for flexible conduit attachment.
- **Finish:** Powder painted matte white visible surfaces.
- **Optics System:** Shields are perforated for direct & indirect illumination and contain a translucent opal white acrylic overlay diffuser for visual comfort. Indirect reflectors are precision formed and contoured to provide soft, low glare indirect illumination while maintaining high efficiency and a wide uniform lighting distribution.
- **Electrical:** Standard voltage is 120-277v, fixtures are have access plate to facilitate wiring, & sufficient knockouts.
- **Mounting:** Holes provided for chain mounting support to building structure. Integral earthquake clips.
- **Fixture:** Individually boxed

We carry replacement parts for all the fixtures we manufacture

E. B. LIGHTING & SUPPLIES, INC.

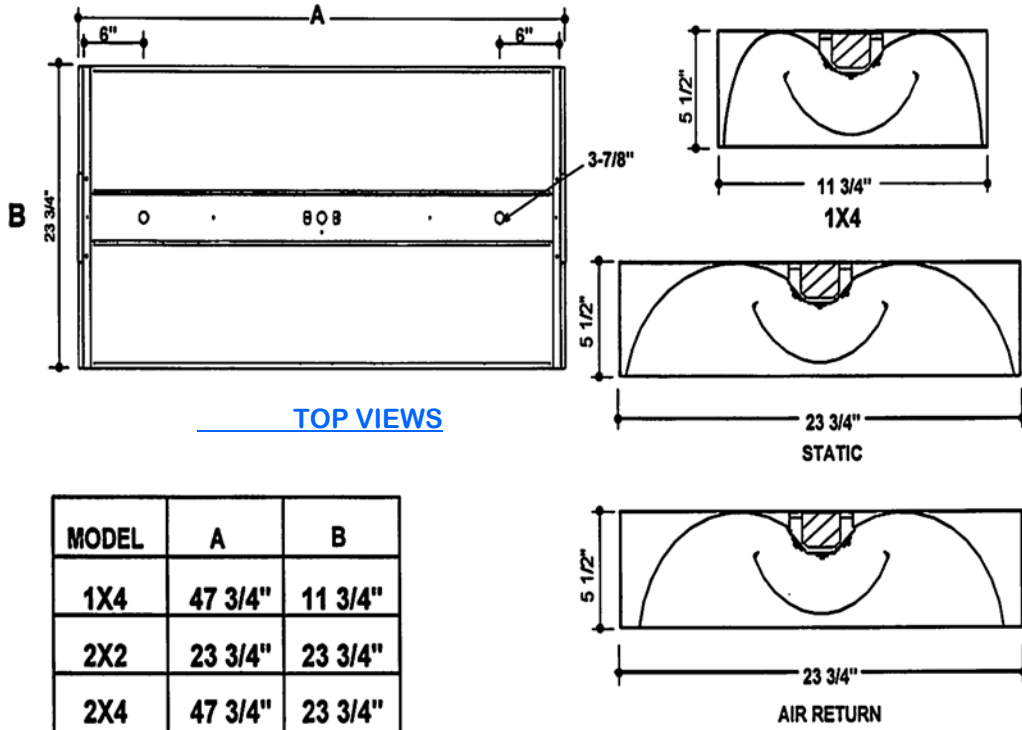
1107 East Baltimore St., Baltimore MD 21202

410-276-7617

fax: 410-276-7307

LED RDI CENTER DISH BASKET DIMENSIONS

Series Dimensions



MODEL	A	B
1X4	47 3/4"	11 3/4"
2X2	23 3/4"	23 3/4"
2X4	47 3/4"	23 3/4"

Some Dimensions May Vary

END VIEWS

LED RDI-C ORDERING GUIDE					
SIZE	LUMEN/ WATTS	KELVIN	VOLTAGE	DIMMING	OPTIONS
1x4	<u>2x2 OPTIONS</u>				EMG- EMERGENCY BALLAST
2X2	1950/25	3000	C-120-277	BLANK -	STEP- STEP DIMMING
2X4	2700/33	3500	480-480v	10V IS	AIR- AIR RETURN
	3500/44	4000		STANDARD	WHIP- FLEXIBLE WHIP
		5000			6'x3' #18GA
	<u>1x4 & 2x4 OPTIONS</u>				FLANGE- DRYWALL KIT
	3800/44				<u>LENS OPTIONS -SELECT ONE:</u>
	5000/61				BLANK- PERFORMATED METAL
	6700/87				BASKET WHITE OVERLAY STANDARD
	10000/123				HTLENS- HIGH TRANSMISSION WHITE
					FROSTED ACRYLIC EXTRUCED
					BASKET FOR 85% EFFICIENCY



LED & FLUORESCENT LIGHTING

E.B. LIGHTING & SUPPLIES, INC.
 1107 East Baltimore Street
 Baltimore 410-276-7617 MD 21202
 fax: 410-276-7307

www.eblights.com eb@eblights.com