



LED RDI DISH HI-EFFICIENCY (RDI-HE)
1x4, 2x2' and 2x4' Recessed



Designed for Classrooms, Corridors, Office Areas, Retail & Supermarkets



**WE WILL CUSTOM BUILD:
 CHOOSE YOUR
 LUMENS, KEVINS & VOLTAGE**

Shallow Design

- Options:**
- Emergency Ballast
 - Dimming Ballast
 - Multi-level switching
 - Drywall flange kits are available
 - 20 gauge steel
 - Flexible Metal Whip
 - 6' X 3/18 gauge
 - Radio interference Filter (120-277v)

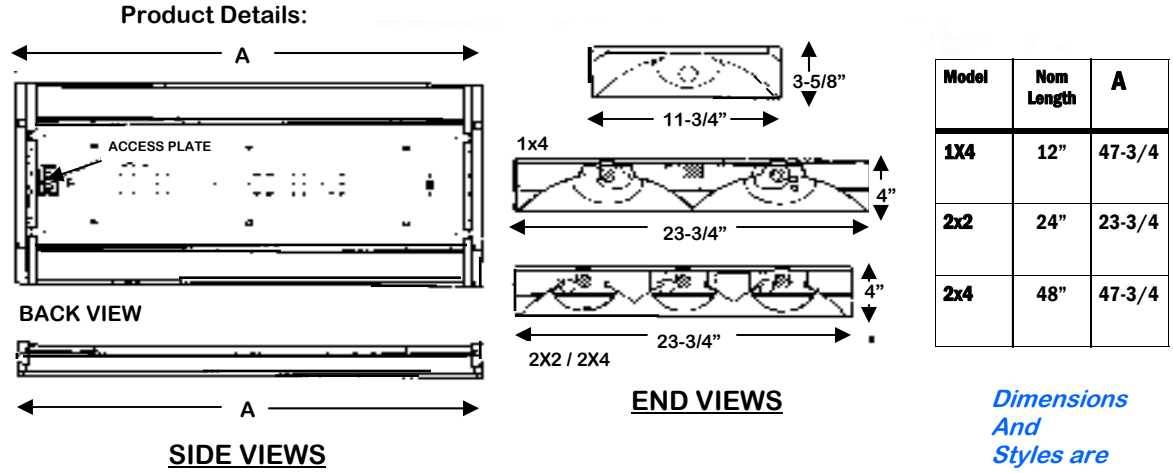
Features:

- **Premium** grade recessed with an almost limitless range of applications.
- **Construction** die-formed and riveted, heavy gauge steel assembly. Die-formed steel end-caps. Precision-formed steel reflector. Die-formed, perforated cold rolled steel shielding.
- **Finish** white polyester powder painted visible surfaces.
- **Optics System:** standard diffuser is frosted ribbed linear acrylic lens. Indirect reflectors are formed & contoured for soft, low-glare, indirect illumination for uniform light distribution. Mini baffle is available, also optional round or rectangular perforated metal shield.
- **Completely** wired and ready to hang.
- **Mounting:** specifically designed for T-Bar applications. Holes for chain-mounting, integral earthquake clips.
- **Fixture** individually boxed

We carry replacement parts for all the fixtures we manufacture

E. B. LIGHTING & SUPPLIES, INC.

LED RDI DISH HI-EFFICIENCY BASKET DIMENSIONS



Dimensions
And
Styles are
Subject to
Change

LED RDI-HE Ordering Info:

SIZE	LUMEN/ WATTS	KELVIN	VOLTAGE	DIMMING	OPTIONS
1x4					EMG- EMERGENCY BALLAST
2X2	<u>2x2 OPTIONS</u>	3000	C-120-277	BLANK -	AIR- AIR RETURN
2X4	1950/25	3500	480-480v	10V	WHIP- FLEXIBLE WHIP
	2700/33	4000		IS STANDARD	6'x3' #18GA
	3500/44	5000			FLANGE- DRYWALL KIT
	<u>1x4 & 2x4 OPTIONS</u>				<u>LENS & BAFFLE-SELECT ONE:</u>
	3800/44				STANDARD (RIBBED ACRYLIC)
	5000/61				SHIELD RECT PERF MATTE WHITE
	6700/87				SHIELD PERF HOLE PATTERN WHITE
	10000/123				MINI BAFFLE w/STRAIGHT BLADE
					CLEAR RIBBED LIN ACRYLIC LENS

**NOTE: For Drywall Applications
Use Optional Flange Kits**

**WE WILL CUSTOM BUILT:
CHOOSE YOUR
LUMENS, KELVIN & VOLTAGE**

E.B. LIGHTING & SUPPLIES, INC.
 1107 East Baltimore Street
 Baltimore MD 21202
 410-276-7617 fax: 410-276-7307

