



RDI DISH HI-EFFICIENCY (RDI-HE)
1x4, 2x2' and 2x4' Recessed



Designed for Classrooms, Corridors, Office Areas, Retail & Supermarkets

Shallow Design



**Available with
T8 or T5 Lamps**

Options:

Emergency Ballast
Dimming Ballast
Multi-level switching
Drywall flange kits
are available
20 gauge steel
Flexible Metal Whip
6' X 3/18 gauge
Radio interference
Filter (120-277v)

Features:

- **Premium** grade recessed with an almost limitless range of applications. Available with 1, 2 or 3 lamps.
- **Construction** die-formed and riveted, heavy gauge steel assembly. Precision-formed steel reflector.
- **Finish** white polyester powder painted visible surfaces.
- **Optics System:** smooth frosted acrylic diffuser for high levels of efficiency & visual comfort. Indirect reflectors are precision formed to provide soft, low-glare, indirect illumination maintaining wide, uniform light distribution.
- **Completely** wired and ready to hang.
- **Mounting:** specifically designed for T-Bar applications. Holes for chain mounting, integral earthquake clips.

We carry replacement parts for all the fixtures we manufacture

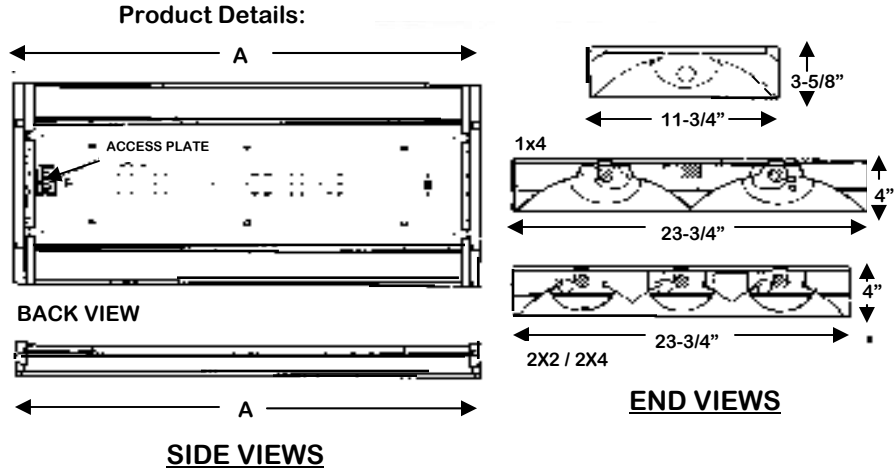
E. B. LIGHTING & SUPPLIES, INC.

1107 East Baltimore St., Baltimore MD 21202

410-276-7617

fax: 410-276-7307

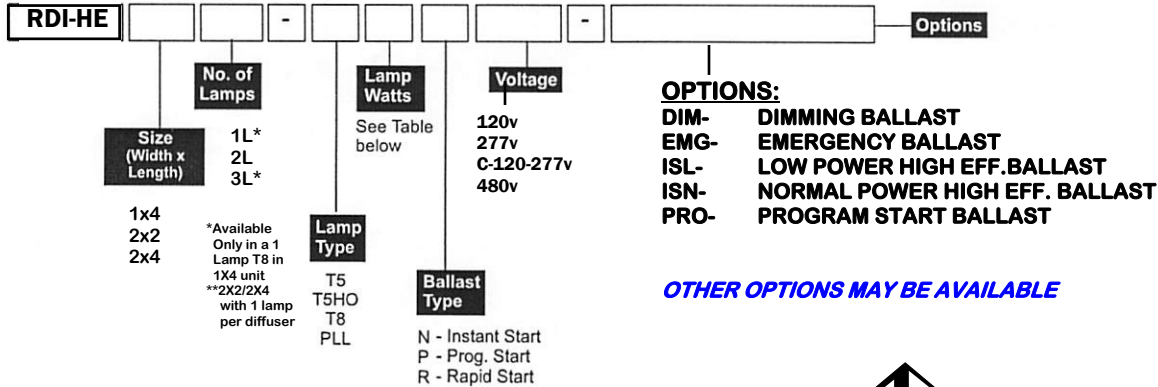
RDI DISH HI-EFFICIENCY BASKET DIMENSIONS



Model	Nom Length	A
1X4	12"	47-3/4
2x2	24"	23-3/4
2x4	48"	47-3/4

Some Dimensions May Vary

Ordering



Note: For recessed drywall applications use either a 1x4, 2x2 or 2x4 flange kit.

Certain configurations may not be available

Lamp Watts

Size	Nom. Lamp Watts			
	T5	T5HO	T8	PLL/Biax
2x2	14	24	17	40, 50 55
2x4	28	54	32	40, 50, 55
1x4	28	54	32	



E.B. LIGHTING & SUPPLIES, INC.
 1107 East Baltimore Street
 Baltimore MD 21202
 410-276-7617 fax: 410-276-7307