

BCBLED24-40W-PRM-CP

Premium Low-Profile 40 Watt 2x4 Center Basket



| | |
|------------|--|
| Project: | |
| Type: | |
| Catalog #: | |



STANDARD



The premium-performance BCBLED24-40W-PRM-CP is a low-profile 2' x 4' LED center basket luminaire, which offers industry-leading lumens per watt (LPW). The BCBLED24-40W-PRM-CP is designed as a direct replacement for 2' x 4' fluorescent luminaires installed in grid or plaster ceilings. It is designed to deliver general ambient lighting in a variety of indoor settings, including schools, offices, hospitals and stores, and is the perfect choice for both new construction and retrofits. This high-efficacy luminaire provides long-life and uniform illumination, as well as standard 0-10vdc dimming capability.

FEATURES

- Available in 3000k (warm white), 3500k (warm/neutral white), 4000k (neutral white) & 5000k (cool white) color temperatures.*
- Long-life LEDs provide 199,000 hours of operation with at least 70% of initial lumen output (L₇₀).**
- Provides 5,680 luminaire lumens (129 lumens per watt, LPW) at 3000k; 5,743 luminaire lumens (131 LPW) at 3500k; 5,794 luminaire lumens (132 LPW) at 4000k; and 5,894 luminaire lumens (134 LPW) at 5000k.*
- Uniform illumination with no visible LED pixelation.
- Universal 120-277 AC voltage (50-60Hz) is standard.
- 0-10vdc dimming capability is standard.
- Power factor > 0.90.
- Total harmonic distortion < 20%.
- Color rendering index > 80.
- Steel housing and polycarbonate lens.
- Easy installation in new construction or retrofit. Fits in standard 2' x 4' grid ceilings.
- Standard earthquake clips provide secure installation in grid ceilings.
- Standard mounting options include recessed mounting in grid ceilings, or suspended mounting using attached hanging brackets. For other mounting options, see Mounting Kits.

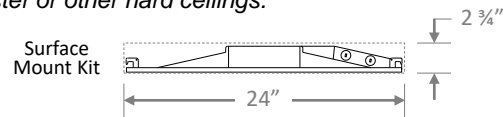
* Contact factory for other color temperatures and lumen packages.
** L₇₀ hours are IES TM-21-11 calculated hours.

WARRANTY & LISTINGS

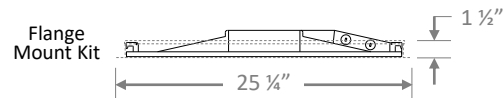
- UL listed for damp locations and insulated ceilings (IC-rated) for use in ambient temperatures from -20°C to 40°C (-4°F to 104°F).
- DLC Premium listed.
- Flicker-free per IEEE1789-2015 (low risk of adverse effects of flicker at 100% light output level).
- Complies with RoHS (Restriction on Hazardous Substances) requirements.
- Complies with FCC Part 15, part B.
- Complies with IEEE C.62.41-1991, input transient surge protection (2kV).
- 5-year warranty of all electronics and housing.

MOUNTING KITS

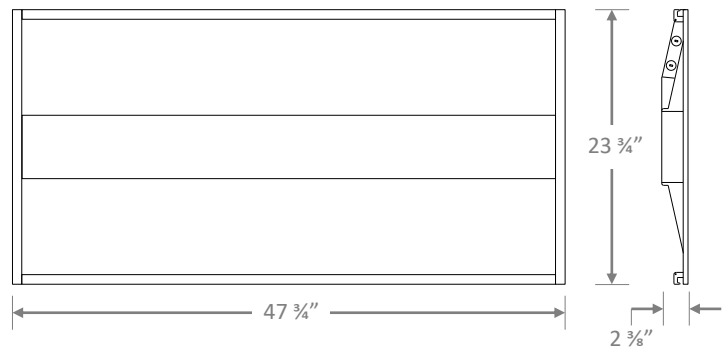
- Optional Surface Mount Kits (LEDSMKT-24) provide for installation on plaster or other hard ceilings.



- Flange Mount Kit (FLANGEKIT24-ET) mounts above plaster or other hard ceilings, and the center basket is mounted flush to the ceiling.



DIMENSIONS



Weight: 12.8 lbs.

ORDERING INFORMATION

Example: BCBLED24-40W-3KMV-PRM-CP + FLANGEKIT24-ET + LEDPNL-CMK

| Model | Luminaire Watts | Luminaire Lumens | Lumens/Watt | Color Temp. | Input Voltage | DLC Listing | Options (Order Separately) |
|--------------|-----------------|----------------------------------|--------------------------|-------------------------------------------------------|----------------------------|----------------------|------------------------------------------------------------------------------------------------------------------------------------------------------------------------------------------------------------------------------------|
| BCBLED24-40W | 44 | 5,680 5,743 5,794 5,894 | 129 131 132 134 | 3K = 3000k 35K = 3500K 4K = 4000k 5K = 5000k | MV = Multi-volt (120-277V) | PRM-CP = DLC Premium | LEDSMKT-24 = Surface Mounting Kit for 2x4 FLANGEKIT24-ET = Flange Mounting Kit for 2x4 LEDPNL-CMK = Cable Mounting Kit, Quantity 6, 1 meter long, 1/16" diameter, with spring clips & adjustable, locking ceiling attachment |

BCBLED24-40W-PRM-CP

Premium Low-Profile
40 Watt 2x4 Center Basket



ELECTRICAL DATA

| Model | Color Temp. | CRI ¹ | Luminaire Lumens | Luminaire Watts | Lumens Per Watt | Input ² Voltage | Input Current (A) | | | Power Factor | THD ³ | L ₇₀ Hours ⁴ |
|---------------------------|-------------|------------------|------------------|-----------------|-----------------|----------------------------|-------------------|------|------|--------------|------------------|------------------------------------|
| | | | | | | | 120V | 240V | 277V | | | |
| BCBLED24-40W-3KMV-PRM-CP | 3000k | > 80 | 5,680 | 44 | 129 | 120-277 | 0.37 | 0.18 | 0.16 | > 90% | < 20% | 199,000 |
| BCBLED24-40W-35KMV-PRM-CP | 3500k | > 80 | 5,743 | 44 | 131 | 120-277 | 0.37 | 0.18 | 0.16 | > 90% | < 20% | 199,000 |
| BCBLED24-40W-4KMV-PRM-CP | 4000k | > 80 | 5,794 | 44 | 132 | 120-277 | 0.37 | 0.18 | 0.16 | > 90% | < 20% | 199,000 |
| BCBLED24-40W-5KMV-PRM-CP | 5000k | > 80 | 5,894 | 44 | 134 | 120-277 | 0.37 | 0.18 | 0.16 | > 90% | < 20% | 199,000 |

¹ Color rendering index.

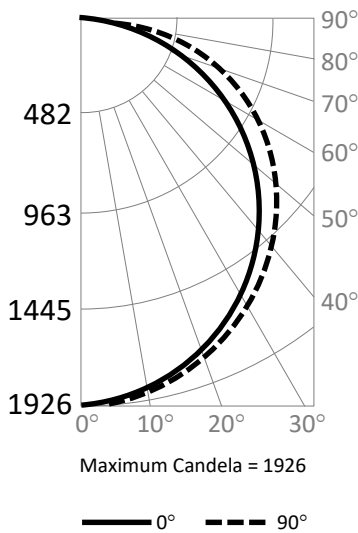
² All 50-60Hz.

³ Total harmonic distortion.

⁴ L₇₀ refers to the number of hours at which lumen output declines to 70% of the initial level. L₇₀ hours are IES TM-21-11 calculated hours.

PHOTOMETRIC DATA

BCBLED24-40W-3KMV-PRM-CP (5,680 Lumens)



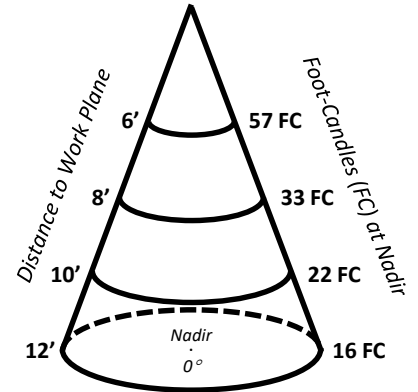
Candlepower Summary

| | 0° | 90° |
|-----|-------|-------|
| 0° | 1,924 | 1,924 |
| 10° | 1,882 | 1,888 |
| 20° | 1,756 | 1,789 |
| 30° | 1,559 | 1,635 |
| 40° | 1,313 | 1,442 |
| 50° | 1,032 | 1,231 |
| 60° | 732 | 1,021 |
| 70° | 430 | 801 |
| 80° | 158 | 425 |
| 90° | 1 | 2 |

Zonal Lumen Summary

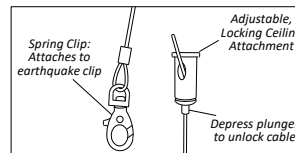
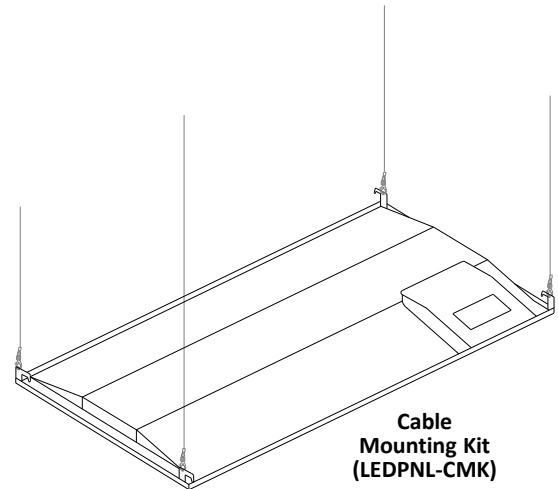
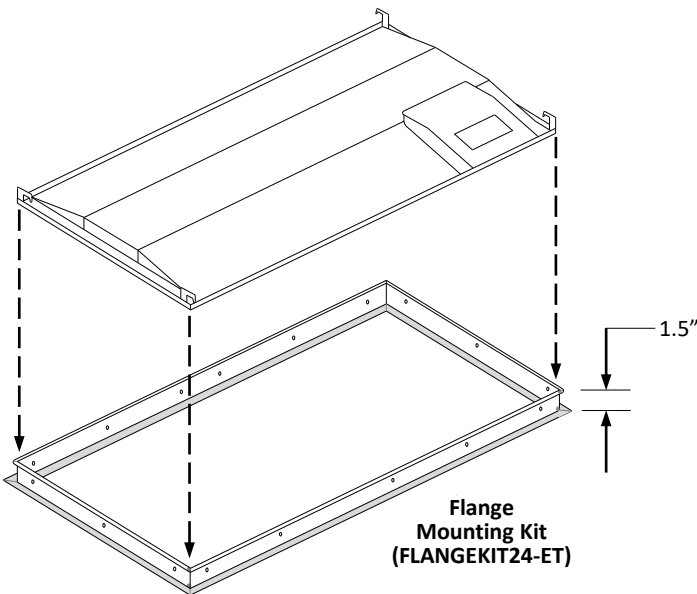
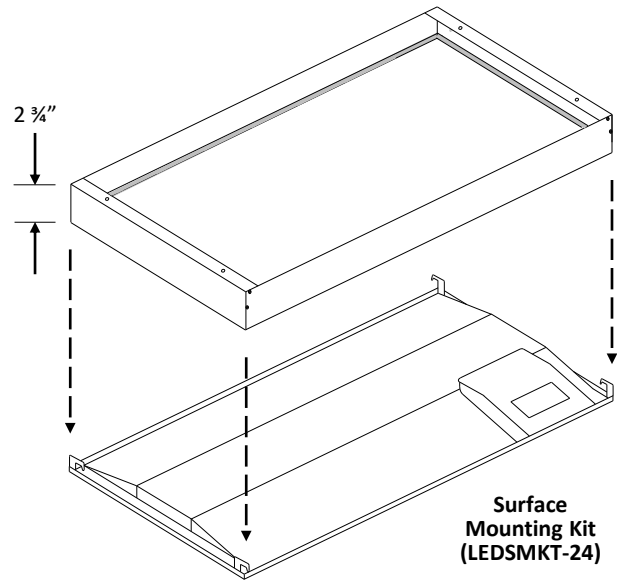
| Zone | Lumens | % Fixture |
|------------|--------|-----------|
| 0° – 10° | 182 | 3.2% |
| 0° – 20° | 700 | 12.3% |
| 0° – 30° | 1,481 | 26.1% |
| 0° – 40° | 2,414 | 42.5% |
| 0° – 50° | 3,380 | 59.5% |
| 0° – 60° | 4,273 | 75.2% |
| 0° – 70° | 5,014 | 88.3% |
| 0° – 80° | 5,526 | 97.3% |
| 0° – 90° | 5,672 | 99.9% |
| 90° – 180° | 8 | 0.1% |
| 0° – 180° | 5,680 | 100.0% |

Cone of Light



MOUNTING KITS

- *Optional Surface Mounting Kit (LEDSMKT-24) mounts below the ceiling.*
- *Optional Flange Mount Kit provides for recessed installation on plaster or other hard ceilings. Attach Flange Mount Kit (FLANGEKIT24-ET) to ceiling joists or other stationary structures, and the panel is mounted flush to the ceiling.*
- *Optional Cable Mount Kit provides additional security, as well as suspended mounting. Attach one end of the Cable Mount Kit (LEDPNL-CMK) to luminaire earthquake clips using spring clips, and attach the other end to stationary structures using the adjustable, locking ceiling attachment (see picture below right).*



Cable Mount Kit:

- Spring Clip
- Adjustable, locking ceiling attachment