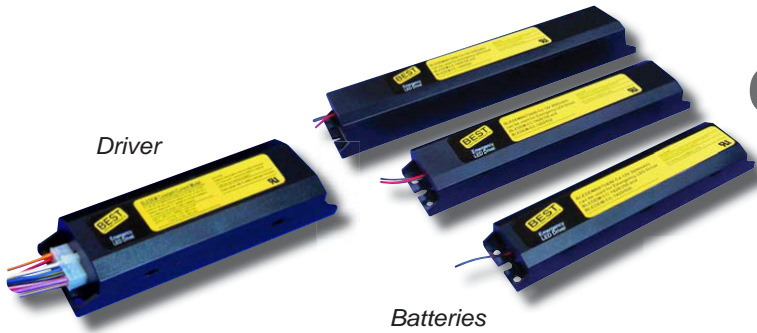


# BLEDEM-CC

## CONSTANT-CURRENT EMERGENCY LED DRIVER

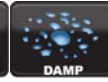


Driver

Batteries

STANDARD

OPTIONAL



### ILLUMINATION

- Provides constant current (350 or 500 mA) output to the load during emergency mode operation.
- Can be operated as NORMALLY-ON, NORMALLY-OFF or SWITCHED LOAD.

### ELECTRICAL

- Universal 120-277V, 50/60 Hz input.
- Charge/Power "ON" LED indicator light and push-to-test switch for mandated code compliance testing.
- Long-life, maintenance free, rechargeable NiCad battery.
- Output short/overcurrent protection: Electronic limiting, with normal operation resuming upon removal of fault.
- 90 Minute minimum emergency operating time over full temperature range.
- 24 Hour maximum battery recharge time.
- LED emergency driver is equipped with a switch to choose 350mA or 500mA constant current output.
- Output classification: Class 2 Compliant.
- Surge protection: Per C62.41 (TVS).
- Input overcurrent protection: Fusible link.

### HOUSING

- LED illuminated and remote mounted test switch.
- Injection-molded, engineering grade, 5VA flame retardant, high-impact resistant, thermoplastic in a black finish.

### MOUNTING

- Suitable for installation inside or top of the fixture.

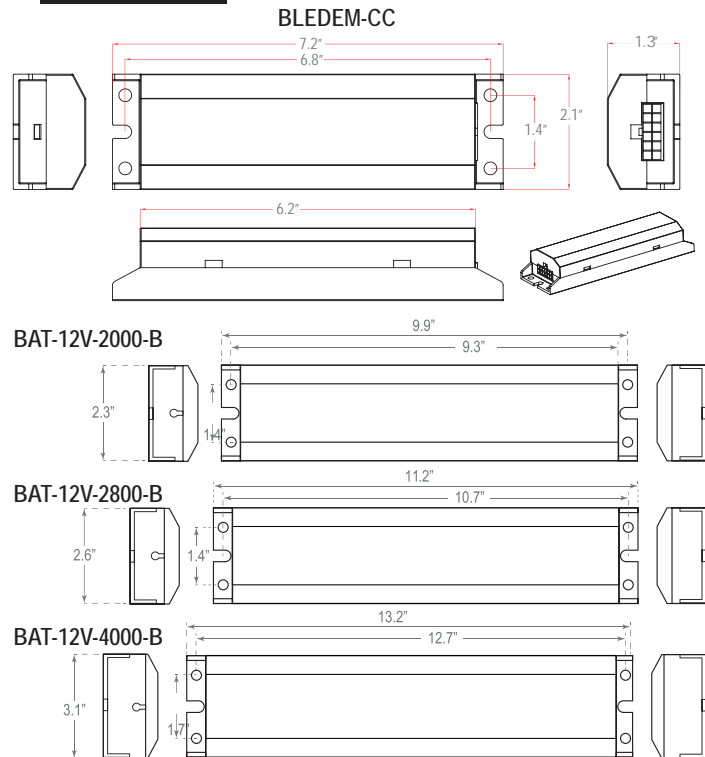
### OPTIONS

- CEC: Certified to CEC under Title 20 regulations

### WARRANTY / LISTING

- UL Recognized for factory installation.
- Suitable for damp locations (0°C - 50°C).
- 5 year warranty on all electronics and housing.
- Meets UL924, NFPA 101 Life Safety Code, NEC, OSHA, Local and State codes.

### DIMENSIONS



### ORDERING INFORMATION

MODEL	OUTPUT RATINGS			OPTIONS	
	CURRENT (mA)	VOLTAGE (VDC)	POWER (W)		
BLEDEM-CC	1428/350	350	14-28	4.9 - 10	CEC Title 20 Compliant
	1442/350	350	14-42	4.9 - 15	
	1450/350	350	14-50	4.9 - 17.5	
	1420/500	500	14-20	7.0 - 10	
	1430/500	500	14-30	7.0 - 15	
	1440/500	500	14-40	7.0 - 20	

EMERGENCY BACKUP

BLEDEM-CC

