

BRKCBLED22 Series 2x2 Center Basket Retrofits



Project:	
Type:	
Catalog #:	

STANDARD



The BRKCBLED22 2x2 retrofit center baskets are designed to transform existing 2x2 fluorescent recessed luminaires into high performance LED luminaires. The BRKCBLED22 2x2 series is designed to deliver general ambient lighting in a variety of indoor settings, including schools, offices, hospitals and stores. This high-efficacy luminaire provides long-life and uniform illumination, as well as standard 0-10vdc dimming capability.

FEATURES

- Available in 3500k (warm/neutral white), 4000k (neutral white) and 5000k (cool white) color temperatures.*
- Long-life LEDs provide 122,000 hours of operation with at least 70% of initial lumen output (L₇₀).**
- BRKCBLED22-23W provides 2,876 luminaire lumens (125 lumens per watt, LPW) at 3500k; 3,000 luminaire lumens (130 LPW) at 4000k; and 2,969 luminaire lumens (129 LPW) at 5000k.*
- BRKCBLED22-33W provides 4,004 luminaire lumens (121 LPW) at 3500k; 4,158 luminaire lumens (126 LPW) at 4000k; and 4,191 luminaire lumens (127 LPW) at 5000k.*
- Uniform illumination with no visible LED pixelation.
- Universal 120-277 AC voltage (50-60Hz) is standard.
- 0-10vdc dimming capability is standard.
- Power factor > 0.90.
- Total harmonic distortion < 20%.
- Color rendering index > 80.
- Steel housing and acrylic lens.
- Easy installation in existing 2x2 fluorescent recessed housings.

* Contact factory for other color temperatures and lumen packages.

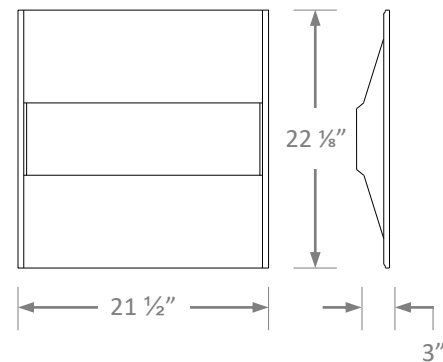
** L₇₀ hours are IES TM21-11 calculated hours.



WARRANTY & LISTINGS

- cULus approved for damp locations (-20° C to 50° C / -4° F to 122° F).
- DLC premium approved.
- Flicker-free per IEEE1789-2015 (low risk of adverse effects of flicker at 100% light output level).
- Complies with FCC Part 15, Class A.
- Complies with IEEE C.62.41-1991, Class A input transient surge protection (2.5kV).
- Complies with RoHS (Restriction on Hazardous Substances) requirements.
- 5-year warranty of all electronics and housing.

DIMENSIONS



Weight: 8.2 lbs.

ORDERING INFORMATION

Model	Color Temperature	Luminaire Lumens	Luminaire Watts	Lumens / Watt
BRKCBLED22-23W-35KMV-PRM-ET	3500k	2,876	23	125
BRKCBLED22-23W-4KMV-PRM-ET	4000k	3,000	23	130
BRKCBLED22-23W-5KMV-PRM-ET	5000k	2,969	23	129
BRKCBLED22-33W-35KMV-PRM-ET	3500k	4,004	33	121
BRKCBLED22-33W-4KMV-PRM-ET	4000k	4,158	33	126
BRKCBLED22-33W-5KMV-PRM-ET	5000k	4,191	33	127

BRKCBLED22 Series 2x2 Center Basket Retrofits



ELECTRICAL

Model	Color Temp.	CRI ¹	Luminaire Lumens	Luminaire Watts	Lumens Per Watt	Input Voltage ²	Input Current (A)			Power Factor	THD ³	L ₇₀ Hours ⁴
							120V	240V	277V			
BRKCBLED22-23W-35KMV-PRM-ET	3500k	>80	2,876	23	125	120-277	0.19	0.10	0.08	>90%	<20%	122,000
BRKCBLED22-23W-4KMV-PRM-ET	4000k	>80	3,000	23	130	120-277	0.19	0.10	0.08	>90%	<20%	122,000
BRKCBLED22-23W-5KMV-PRM-ET	5000k	>80	2,969	23	129	120-277	0.19	0.10	0.08	>90%	<20%	122,000
BRKCBLED22-33W-35KMV-PRM-ET	3500k	>80	4,004	33	121	120-277	0.28	0.14	0.12	>90%	<20%	122,000
BRKCBLED22-33W-4KMV-PRM-ET	4000k	>80	4,158	33	126	120-277	0.28	0.14	0.12	>90%	<20%	122,000
BRKCBLED22-33W-5KMV-PRM-ET	5000k	>80	4,191	33	127	120-277	0.28	0.14	0.12	>90%	<20%	122,000

¹ Color rendering index.

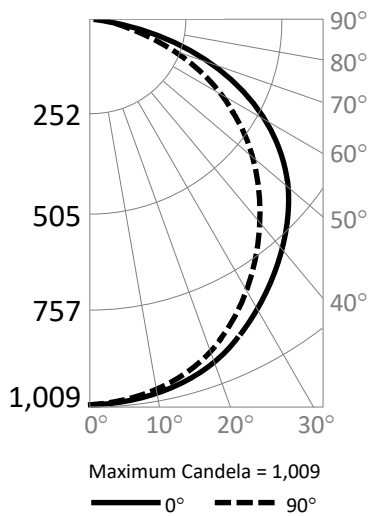
² All 50-60Hz.

³ Total harmonic distortion.

⁴ L₇₀ refers to the number of hours at which lumen output declines to 70% of the initial level. L₇₀ hours are IES TM21-11 calculated hours.

PHOTOMETRIC DATA

Model: BRKCBLED22-23W-5KMV-PRM-ET (2,969 lumens)



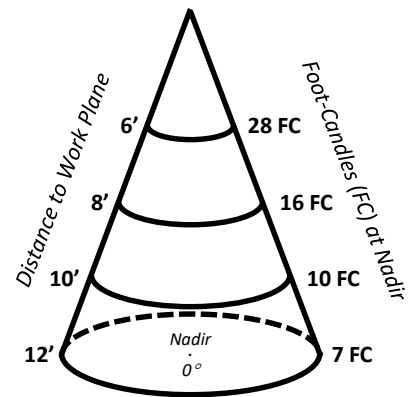
Candlepower Summary

	0°	90°
0°	1,009	1,009
10°	986	992
20°	943	923
30°	870	815
40°	773	685
50°	664	534
60°	555	380
70°	404	224
80°	201	87
90°	3	1

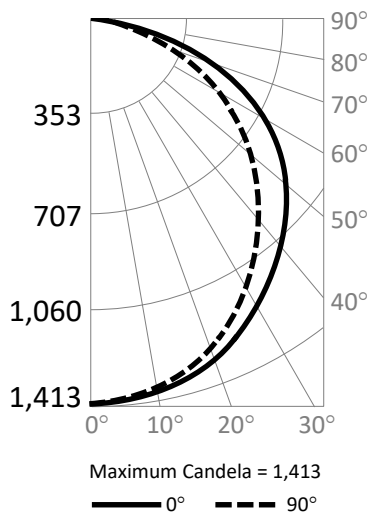
Zonal Lumen Summary

Zone	Lumens	% Fixture
0° – 10°	95	3.2%
0° – 20°	368	12.4%
0° – 30°	779	26.2%
0° – 40°	1,274	42.9%
0° – 50°	1,787	60.2%
0° – 60°	2,262	76.2%
0° – 70°	2,649	89.2%
0° – 80°	2,897	97.6%
0° – 90°	2,969	100.0%
90° – 180°	0	0%
0° – 180°	2,969	100.0%

Cone of Light



Model: BRKCBLED22-33W-5KMV-PRM-ET (4,191 lumens)



Candlepower Summary

	0°	90°
0°	1,413	1,413
10°	1,388	1,387
20°	1,329	1,291
30°	1,230	1,144
40°	1,092	958
50°	936	750
60°	779	533
70°	568	314
80°	282	125
90°	4	5

Zonal Lumen Summary

Zone	Lumens	% Fixture
0° – 10°	135	3.2%
0° – 20°	520	12.4%
0° – 30°	1,100	26.3%
0° – 40°	1,798	42.9%
0° – 50°	2,524	60.2%
0° – 60°	3,194	76.2%
0° – 70°	3,740	89.2%
0° – 80°	4,089	97.6%
0° – 90°	4,191	100.0%
90° – 180°	0	0%
0° – 180°	4,191	100.0%

Cone of Light

