

BRKCSLED Series 4' & 8' Strip Retrofits



Project:	
Type:	
Catalog #:	

STANDARD



The BRKCSLED retrofit strip lights are designed to transform existing fluorescent strips into high performance LED luminaires. The BRKCSLED series is designed to deliver general ambient lighting in a variety of indoor settings, including schools, offices, hospitals and stores. This high-efficacy luminaire provides long-life and uniform illumination, as well as standard 0-10vdc dimming capability.

WARRANTY & LISTINGS

- cULus approved for damp locations (-20° C to 50° C / -4° F to 122° F).
- DLC premium approved.
- Flicker-free per IEEE1789-2015 (low risk of adverse effects of flicker at 100% light output level).
- Complies with FCC Part 15, Class A.
- Complies with IEEE C.62.41-1991, input transient surge protection (2.5kV).
- Complies with RoHS (Restriction on Hazardous Substances) requirements.
- 5-year warranty of all electronics and housing.

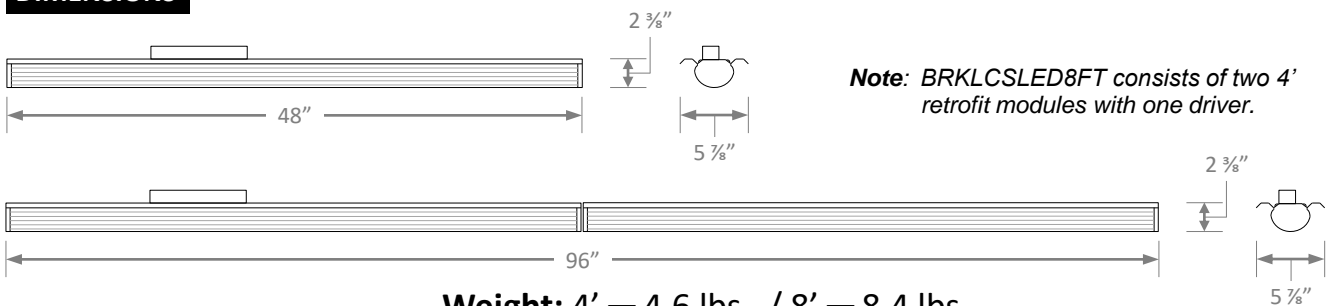


FEATURES

- Available in 3500k (warm/neutral white), 4000k (neutral white) and 5000k (cool white) color temperatures.*
- Long-life LEDs provide 122,000 hours of operation with at least 70% of initial lumen output (L₇₀).**
- BRKCSLED4FT provides 2,833 luminaire lumens (123 lumens per watt, LPW) at 3500k; 2,990 luminaire lumens (130 LPW) at 4000k; and 3,013 luminaire lumens (131 LPW) at 5000k.*
- BRKCSLED8FT provides 5,842 luminaire lumens (127 lumens per watt, LPW) at 3500k; 5,980 luminaire lumens (130 LPW) at 4000k; and 6,026 luminaire lumens (131 LPW) at 5000k.*
- Uniform illumination with no visible LED pixelation.
- Universal 120-277 AC voltage (50-60Hz) is standard.
- 0-10vdc dimming capability is standard.
- Power factor > 0.90.
- Total harmonic distortion < 20%.
- Color rendering index > 80.
- Steel housing and acrylic lens.
- Easy installation in existing fluorescent strip housings.

* Contact factory for other color temperatures and lumen packages.
 ** L₇₀ hours are IES TM21-11 calculated hours.

DIMENSIONS



ORDERING INFORMATION

Model	Color Temperature	Luminaire Lumens	Luminaire Watts	Lumens / Watt
BRKCSLED4FT-23-35KMV-ET	3500k	2,833	23	123
BRKCSLED4FT-23-4KMV-ET	4000k	2,990	23	130
BRKCSLED4FT-23-5KMV-ET	5000k	3,013	23	131
BRKCSLED8FT-46-35KMV-ET	3500k	5,842	46	127
BRKCSLED8FT-46-4KMV-ET	4000k	5,980	46	130
BRKCSLED8FT-46-5KMV-ET	5000k	6,026	46	131

BRKLCSELED Series 4' & 8' Strip Retrofits



ELECTRICAL

Model	Color Temp.	CRI ¹	Luminaire Lumens	Luminaire Watts	Lumens Per Watt	Input Voltage ²	Input Current (A)			Power Factor	THD ³	L ₇₀ Hours ⁴
							120V	240V	277V			
BRKLCSELED4FT-23-35KMV-ET	3500k	> 80	2,833	23	123	120-277	0.19	0.10	0.08	> 90%	< 20%	122,000
BRKLCSELED4FT-23-4KMV-ET	4000k	> 80	2,990	23	130	120-277	0.19	0.10	0.08	> 90%	< 20%	122,000
BRKLCSELED4FT-23-5KMV-ET	5000k	> 80	3,013	23	131	120-277	0.19	0.10	0.08	> 90%	< 20%	122,000
BRKLCSELED8FT-46-35KMV-ET	3500k	> 80	5,842	46	127	120-277	0.38	0.19	0.17	> 90%	< 20%	122,000
BRKLCSELED8FT-46-4KMV-ET	4000k	> 80	5,980	46	130	120-277	0.38	0.19	0.17	> 90%	< 20%	122,000
BRKLCSELED8FT-46-5KMV-ET	5000k	> 80	6,026	46	131	120-277	0.38	0.19	0.17	> 90%	< 20%	122,000

¹ Color rendering index.

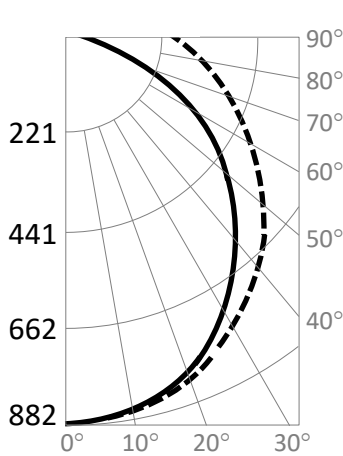
² All 50-60Hz.

³ Total harmonic distortion.

⁴ L₇₀ refers to the number of hours at which lumen output declines to 70% of the initial level. L₇₀ hours are IES TM21-11 calculated hours.

PHOTOMETRIC DATA

Model: BRKLCSELED4FT-23-5KMV-ET (3,013 lumens)



Maximum Candela = 882

— 0° - - - 90°

Candlepower Summary		
	0°	90°
0°	882	882
10°	868	868
20°	811	824
30°	718	761
40°	601	677
50°	466	578
60°	328	479
70°	196	388
80°	78	306
90°	6	235

Zonal Lumen Summary		
Zone	Lumens	% Fixture
0° – 10°	91	3.0%
0° – 20°	350	11.6%
0° – 30°	740	24.6%
0° – 40°	1,207	40.1%
0° – 50°	1,692	56.2%
0° – 60°	2,140	71.0%
0° – 70°	2,517	83.5%
0° – 80°	2,806	93.1%
0° – 90°	3,013	100.0%
90° – 180°	0	0%
0° – 180°	3,013	100.0%

Cone of Light

