

CPLED Premium LED Garage Luminaire



Project:	
Type:	
Catalog #:	

STANDARD



The CPLED garage luminaire is a premium-performance solution for illuminating parking garages, storage areas, stairwells, and other applications requiring a low-profile luminaire that can be surface- or pendant-mounted. With a die cast aluminum housing and a polycarbonate lens, the CPLED will stand up to many years of punishing environmental conditions. High-efficacy, long-life LEDs provide both energy and maintenance cost savings compared to traditional garage lights with HID, fluorescent or incandescent lamps.

FEATURES

- Available in 4000k (neutral white) and 5000k (cool white) color temperatures.*
- Long-life LEDs provide at least 171,000 hours of operation with at least 70% of initial lumen output (L_{70}).**
- Provides a range of 3,137 to 12,708 lumens.†
- Universal 120-277 AC voltage (50-60Hz) is standard.
- 0-10vdc dimming drivers are standard (except model CPLED-3).¹
- Mounting options include surface-mounting and pendant-mounting using electrical conduit.
- Optional, integral Merrytek microwave occupancy/daylight sensor is installed inside the luminaire housing, and provides both on/off and dimming functions.¹ To order, add the suffix "OS" to your luminaire catalog number (see example below).
- Power factor > 0.90.
- Total harmonic distortion < 20%.
- Color rendering index > 80.
- Die cast aluminum housing, painted white or dark bronze.
- Easy installation in new construction or retrofit.

* Contact factory for other color temperatures and lumen packages.
 ** L_{70} hours are IES TM-21-11 calculated hours.



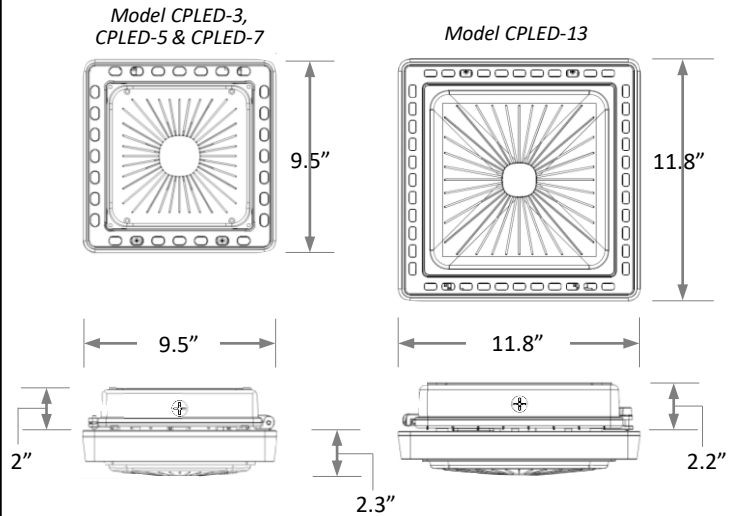
Model CPLED-3,
CPLED-5 & CPLED-7

Model CPLED-13

WARRANTY & LISTINGS

- cULus listed for wet locations in ambient temperatures from -20°C to 55°C (-4°F to 131°F).
- IP65 rated for ingress protection.
- DLC premium approved (primary use category: Parking Garage Luminaires).
- Complies with FCC Part 15, class B.
- Standard models comply with EN61000-4-5, surge immunity protection (CPLED-3 at 2kV; all other models at 4kV). Optional 10kV surge protector available (see below for ordering information).
- 5-year warranty on all electronics and housing.

DIMENSIONS



Weight: 4.4 lbs. (CPLED-3, -5 & -7) / 7.7 lbs. (CPLED-13)

ORDERING INFORMATION

Example: CPLED-3-4K-WHT-UNV-OS-SP10

Premium-performance garage luminaire, 3k nominal lumens, 4000k, white housing, 120-277V, Merrytek MC605V D Sensor, 10kV surge protector

Model	Luminaire Lumens	Luminaire Watts	Lumens Per Watt	Color Temperature	Housing Color	Input Voltage	Options
CPLED-3-4K	3,137	24	131	4K = 4000k	WHT = White	UNV = 120-277V	OS = Merrytek MC605V D Occupancy & Daylight Sensor (Factory Installed) ¹
CPLED-3-5K	3,149	24	131	5K = 5000k	BRZ = Bronze		
CPLED-5-4K	4,943	40	124	4K = 4000k			SP10 = TDC model SPD277-10K.1 10kV surge protector
CPLED-5-5K	5,024	40	126	5K = 5000k			
CPLED-7-4K	7,002	56	125	4K = 4000k			
CPLED-7-5K	7,077	56	126	5K = 5000k			
CPLED-13-4K	12,516	102	123	4K = 4000k			
CPLED-13-5K	12,708	102	125	5K = 5000k			

¹ Note: Model CPLED-3 is not equipped with a dimmable driver, so it provides only on/off switching.

CPLED Premium LED Garage Luminaire



ELECTRICAL

Model	Color Temp.	CRI ¹	Luminaire Lumens	Luminaire Watts	Lumens Per Watt	Input Voltage ²	Input Current (A)			Power Factor	THD ³	L ₇₀ Hours ⁴
							120V	240V	277V			
CPLED-3-4K-###-UNV	4K = 4000k	> 80	3,137	24	131	120-277	0.20	0.10	0.09	> 90%	< 20%	174,000
CPLED-3-5K-###-UNV	5K = 5000k	> 80	3,149	24	131	120-277	0.20	0.10	0.09	> 90%	< 20%	174,000
CPLED-5-4K-###-UNV	4K = 4000k	> 80	4,943	40	124	120-277	0.33	0.17	0.14	> 90%	< 20%	174,000
CPLED-5-5K-###-UNV	5K = 5000k	> 80	5,024	40	126	120-277	0.33	0.17	0.14	> 90%	< 20%	174,000
CPLED-7-4K-###-UNV	4K = 4000k	> 80	7,002	56	125	120-277	0.47	0.23	0.20	> 90%	< 20%	174,000
CPLED-7-5K-###-UNV	5K = 5000k	> 80	7,077	56	126	120-277	0.47	0.23	0.20	> 90%	< 20%	174,000
CPLED-13-4K-###-UNV	4K = 4000k	> 80	12,516	102	123	120-277	0.85	0.43	0.37	> 90%	< 20%	171,000
CPLED-13-5K-###-UNV	5K = 5000k	> 80	12,708	102	125	120-277	0.85	0.43	0.37	> 90%	< 20%	171,000

¹ Color rendering index.

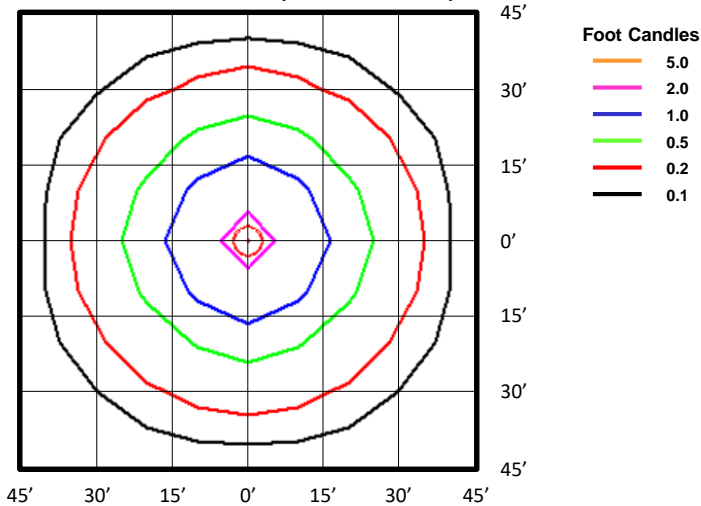
² All 50-60Hz.

³ Total harmonic distortion.

⁴ L₇₀ refers to the number of hours at which lumen output declines to 70% of the initial level. L₇₀ hours are IES TM-21-11 calculated hours.

PHOTOMETRIC DATA

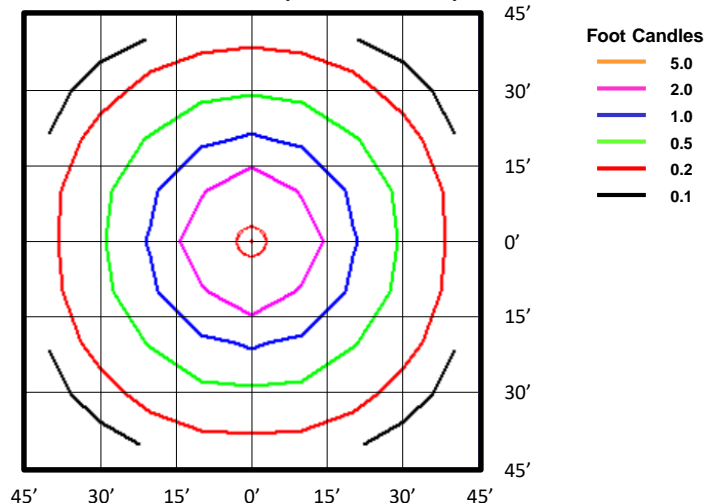
CPLED-3-4K-###-UNV (3,137 Lumens)



BUG Rating: B2-U2-G1

Zone	Lumens	%
FL - Front - Low (0-30)	236	8%
FM - Front - Medium (30-60)	773	25%
FH - Front - High (60-80)	509	16%
FVH - Front - Very High (80-90)	40	1%
Total Forward Light	1,558	50%
BL - Back - Low (0-30)	235	7%
BM - Back - Medium (30-60)	772	25%
BH - Back - High (60-80)	505	16%
BVH - Back - Very High (80-90)	40	1%
Total Back Light	1,552	49%
UL - Up Light - Low (90-100)	14	0%
UH - Up Light - High (100-180)	14	0%
Total Up Light	28	1%
Total Lumens	3,137	100%

CPLED-5-4K-###-UNV (4,943 Lumens)



BUG Rating: B2-U2-G1

Zone	Lumens	%
FL - Front - Low (0-30)	373	8%
FM - Front - Medium (30-60)	1,251	25%
FH - Front - High (60-80)	773	16%
FVH - Front - Very High (80-90)	61	1%
Total Forward Light	2,459	50%
BL - Back - Low (0-30)	372	8%
BM - Back - Medium (30-60)	1,242	25%
BH - Back - High (60-80)	766	16%
BVH - Back - Very High (80-90)	61	1%
Total Back Light	2,441	49%
UL - Up Light - Low (90-100)	24	0%
UH - Up Light - High (100-180)	20	0%
Total Up Light	43	1%
Total Lumens	4,943	100%

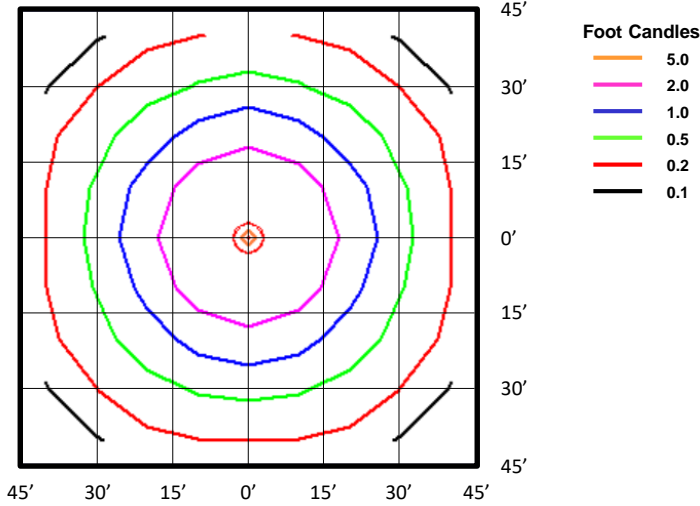
Notes: (1) Isofootcandle plots depict initial footcandles at grade. (2) Gridlines represent units of mounting height of 15 feet.

CPLED Premium LED Garage Luminaire



PHOTOMETRIC DATA

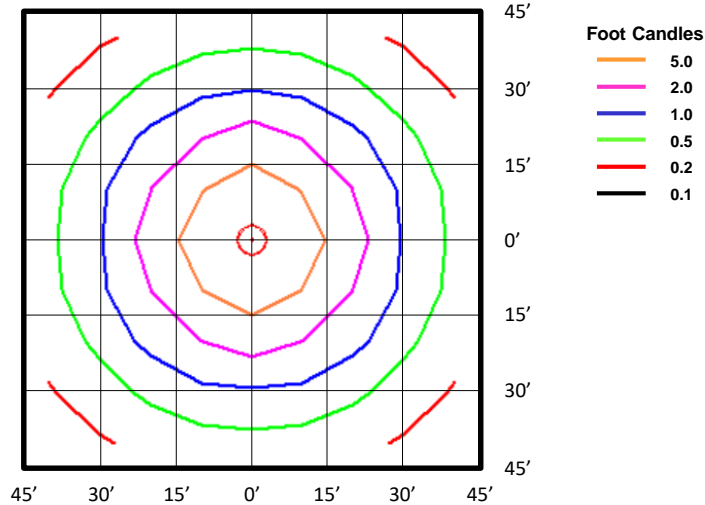
CPLED-7-4K-###-UNV (7,002 Lumens)



BUG Rating: B3-U2-G1

Zone	Lumens	%
FL - Front - Low (0-30)	528	8%
FM - Front - Medium (30-60)	1,772	25%
FH - Front - High (60-80)	1,079	15%
FVH - Front - Very High (80-90)	82	1%
Total Forward Light	3,461	49%
BL - Back - Low (0-30)	520	7%
BM - Back - Medium (30-60)	1,752	25%
BH - Back - High (60-80)	1,124	16%
BVH - Back - Very High (80-90)	90	1%
Total Back Light	3,485	50%
UL - Up Light - Low (90-100)	31	0%
UH - Up Light - High (100-180)	24	0%
Total Up Light	55	1%
Total Lumens	7,002	100%

CPLED-13-4K-###-UNV (12,516 Lumens)



BUG Rating: B3-U3-G2

Zone	Lumens	%
FL - Front - Low (0-30)	1,073	9%
FM - Front - Medium (30-60)	3,115	25%
FH - Front - High (60-80)	1,871	15%
FVH - Front - Very High (80-90)	183	1%
Total Forward Light	6,241	50%
BL - Back - Low (0-30)	1,066	9%
BM - Back - Medium (30-60)	3,087	25%
BH - Back - High (60-80)	1,847	15%
BVH - Back - Very High (80-90)	182	1%
Total Back Light	6,182	49%
UL - Up Light - Low (90-100)	56	0%
UH - Up Light - High (100-180)	37	0%
Total Up Light	93	1%
Total Lumens	12,516	100%

Notes: (1) Isofootcandle plots depict initial footcandles at grade. (2) Gridlines represent units of mounting height of 15 feet.