

LED FHB425 425 Watt Full-Body LED High Bay



Project:	
Type:	
Catalog #:	



Shown with optional diffuse lens

STANDARD



The LEDFHB425 is a full-body, premium-performance LED high bay luminaire. It is designed to illuminate a wide variety of settings, including commercial, industrial & retail settings such as warehouses, manufacturing plants, sporting venues and big-box retailers. With a painted, steel housing, the LEDFHB425 provides high levels of durability and performance. High-efficacy, long-life LEDs provide both energy and maintenance cost savings compared to traditional, HID high bays.

FEATURES

- Available in 4000k (neutral white) and 5000k (cool white) color temperatures.*
- Long-life LEDs provide 113,000 hours of operation with at least 70% of initial lumen output (L_{70}).**
- Delivers 57,096 lumens (134 lumens per watt, LPW) at 4000k, and 57,375 lumens (135 LPW) at 5000k.*
- Universal 120-277 AC voltage (50-60Hz) is standard.
- 0-10vdc dimming drivers are standard.
- Power factor > 0.90.
- Total harmonic distortion < 20%.
- Color rendering index > 80.
- Painted steel housing.
- Easy installation in new construction or retrofit.
- Chain-mount kits (includes v-hooks and 1/8" thick, 1-meter long chain) are standard.
- Options include lenses (clear & diffused), wire-guard kits surface-mounting kits, pendant-mounting kits, and cable-mounting kits.

* Contact factory for other color temperatures and lumen packages.

** L_{70} hours are IES TM-21-11 calculated hours.

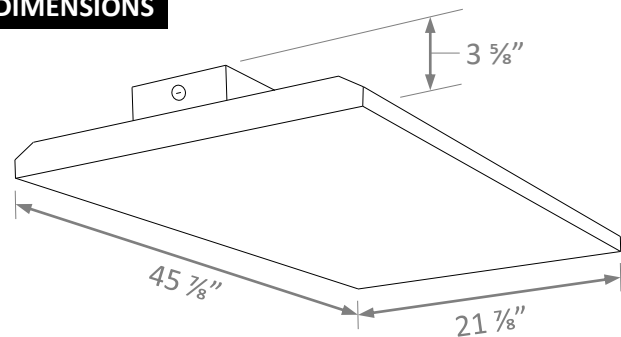
WARRANTY & LISTINGS

- cULus listed for damp locations in ambient temperatures from -20°C to 50°C (-4°F to 122°F).
- DLC premium approved.
- Complies with RoHS (Restriction on Hazardous Substances) requirements
- Complies with FCC Part 15, class A.
- Complies with IEEE C.62.41-1991, input transient protection (2.5kV).
- 5-year warranty of all electronics and housing.

MOUNTING OPTIONS

- Chain mounting with V-hooks is standard.
- Optional surface mounting kit provides attachment to flat ceilings.
- Optional pendant mounting kit provides pendant attachment to 1/2" rigid conduit.
- Optional cable mounting kits provide suspension at two lengths (i.e., 3 & 5 meters).

DIMENSIONS



Weight: 26.0 lbs.

ORDERING INFORMATION

Example: LEDFHB425-4K-MVDIM + LEDFHB425-CRLENS + LEDFHB425-WG + LEDFHB-SMK8
(425 watt high bay, 4000k, 0-10vdc dimming, + clear lens + wire guard + surface-mount kit)

Model	Luminaire Watts	Luminaire Lumens	Lumens Per Watt	Color Temperature	Options (Order Separately)
LEDFHB425-4K-MVDIM	425	57,096	134	4K = 4000k	LEDFHB425-CRLENS = Clear lens
LEDFHB425-5K-MVDIM	425	57,375	135	5K = 5000k	LEDFHB425-DIFLENS = Diffuse lens
					LEDFHB425-WG = Wire-guard kit
					LEDFHB-SMK8 = Surface-mount kit, 8 LED modules
					LEDFHB-PMK8 = Pendant-mount kit
					LEDFHB-CMK3 = Cable-mounting kit, 3 meters
					LEDFHB-CMK5 = Cable-mounting kit, 5 meters

LED FHB425 425 Watt Full-Body LED High Bay



ELECTRICAL DATA

Model	Color Temp.	CRI ¹	Luminaire Lumens	Luminaire Watts	Lumens/Watt	Input Voltage ²	Input Current (A)			Power Factor	THD ³	L ₇₀ Hours ⁴
							120V	240V	277V			
LED FHB425-4K-MVDIM	4000k	>80	57,096	425	134	120-277	3.54	1.77	1.53	>90%	<20%	113,000
LED FHB425-5K-MVDIM	5000k	>80	57,375	425	135	120-277	3.54	1.77	1.53	>90%	<20%	113,000

¹ Color rendering index.

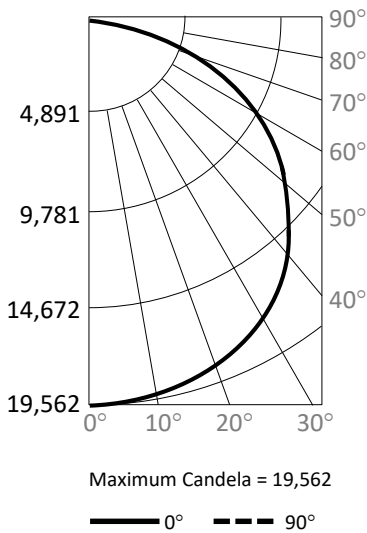
² All 50-60Hz.

³ Total harmonic distortion.

⁴ L₇₀ refers to the number of hours at which lumen output declines to 70% of the initial level. L₇₀ hours are IES TM-21-11 calculated hours.

PHOTOMETRIC DATA

LED FHB425-5K-MVDIM (57,375 Lumens)



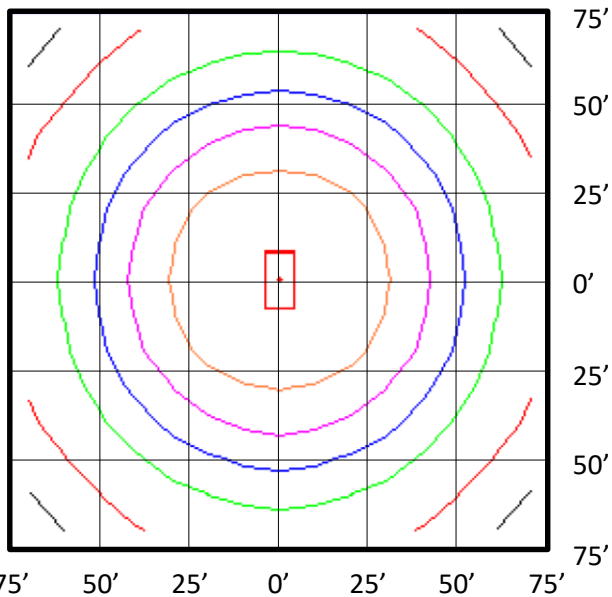
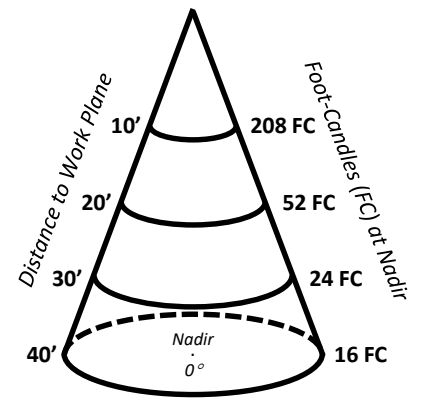
Candlepower Summary

	0°	90°
0°	19,562	19,562
10°	19,311	19,378
20°	18,543	18,611
30°	17,269	17,302
40°	15,178	15,351
50°	12,644	12,675
60°	9,432	8,882
70°	5,758	5,093
80°	2,119	1,162
90°	0	0

Zonal Lumen Summary

Zone	Lumens	% Fixture
0° - 10°	1,835	3.2%
0° - 20°	7,143	12.5%
0° - 30°	15,336	26.7%
0° - 40°	25,463	44.4%
0° - 50°	36,195	63.1%
0° - 60°	45,980	80.1%
0° - 70°	53,182	92.7%
0° - 80°	56,820	99.0%
0° - 90°	57,375	100.0%
90° - 180°	0	0.0%
0° - 180°	57,375	100.0%

Cone of Light



Notes:

- Isofootcandle plots depict initial footcandles at grade.
- Gridlines represent units of mounting height of 25 feet.