

# LEDMPAL30 30 Watt Multi-Purpose LED Area Light



Project:	
Type:	
Catalog #:	

## STANDARD



The LEDMPAL series is a group of architectural LED area luminaires designed to illuminate parking areas, pathways, building facades, loading docks, and a wide variety of other large, general site lighting applications. Multiple mounting options make the LEDMPAL a versatile luminaire for flood lighting, pole-, ground- and wall-mounted area lighting, and other outdoor lighting requirements.

## FEATURES

- Available in 3000k (warm white), 4000K (neutral white) and 5000K (cool white).\*
- Long-life LEDs provide 69,000 hours of operation with at least 70% of initial lumen output (L<sub>70</sub>).\*\*
- Delivers 3,453 lumens & 115 lumens per watt (LPW) at 3000k; 3,586 lumens and 120 LPW at 4000k; and 3,718 lumens & 124 LPW at 5000k.\*
- Standard optic provides an IES roadway type V distribution, or a 7V (vertical) x 7H (horizontal) NEMA floodlight distribution.
- Universal 120-277 AC voltage (50-60Hz) is standard.
- Power factor > 0.90.
- Total harmonic distortion < 20%.
- Color rendering index > 80.
- Optional full glare shields, half glare shields & wire guards are available.
- Die cast aluminum housing with durable, dark bronze powder coat finish, and a heat-resistant polycarbonate lens.
- Wireway enclosure is sealed with a water-tight, silicon rubber gasket.
- Effective projected areas (EPA's) are:
  - Front = 0.09 square feet
  - Side = 0.07 square feet
  - Face = 0.29 square feet
- Easy installation in new construction or retrofit applications.

\* Contact factory for other color temperatures and lumen packages.  
 \*\* L<sub>70</sub> hours are IES TM-21-11 calculated hours.



Yoke-Mount Option

Knuckle-Mount Option

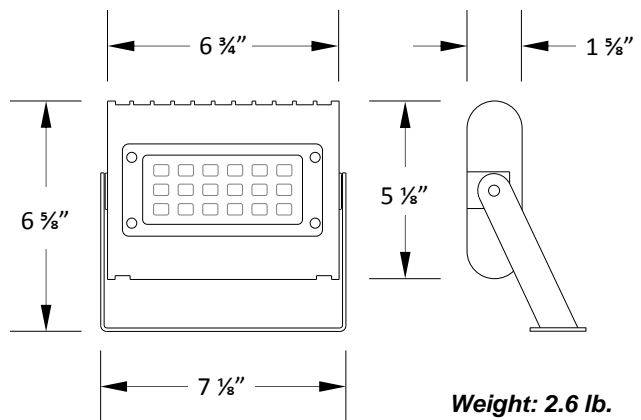
## WARRANTY & LISTINGS

- cULus listed for wet locations (-30°C to 40°C / -22°F to 104°F)
- IP65 rated.
- DLC standard approved.
- Complies with FCC Part 15, Class B.
- Complies with EN61000-4-5, surge immunity (1kV).
- 5-year warranty on all electronics and housing.

## MOUNTING OPTIONS

- Yoke-mount option provides secure attachment to flat surfaces.
- Aluminum die-cast knuckle-mount option is installed on a junction box. Includes 1/2" NPS stem with locking nut.

## DIMENSIONS



Weight: 2.6 lb.

## ORDERING INFORMATION

Example: LEDMPAL30-Y-3K + MPAL30-FGS

Model	Luminaire Watts	Luminaire Lumens	Lumens / Watt	Mounting Options	Color Temperature	Shields & Wire Guards (See Line Drawings Below)
LEDMPAL30	30	3,453	115	Y = Yoke Mount	3K = 3000k	MPAL30-FGS = Full Glare Shield, 15W
		3,586	120	K = Knuckle Mount	4K = 4000k	MPAL30-HGS = Half Glare Shield, 15W
		3,718	124		5K = 5000k	MPAL30-WG = Wire Guard, 15W

# LEDMPAL30 30 Watt Multi-Purpose LED Area Light



## ELECTRICAL DATA

Model	Color Temperature	CRI <sup>1</sup>	Luminaire Lumens	Luminaire Watts	Lumens Per Watt	Input Voltage <sup>2</sup>	Input Current (A)			Power Factor	THD <sup>3</sup>	L <sub>70</sub> Hours <sup>4</sup>
							120V	240V	277V			
LEDMPAL30-3K	3000k	> 80	3,453	30	115	120-277	0.25	0.13	0.11	> 90%	< 20%	69,000
LEDMPAL30-4K	4000k	> 80	3,586	30	120	120-277	0.25	0.13	0.11	> 90%	< 20%	69,000
LEDMPAL30-5K	5000k	> 80	3,718	30	124	120-277	0.25	0.13	0.11	> 90%	< 20%	69,000

<sup>1</sup> Color rendering index.

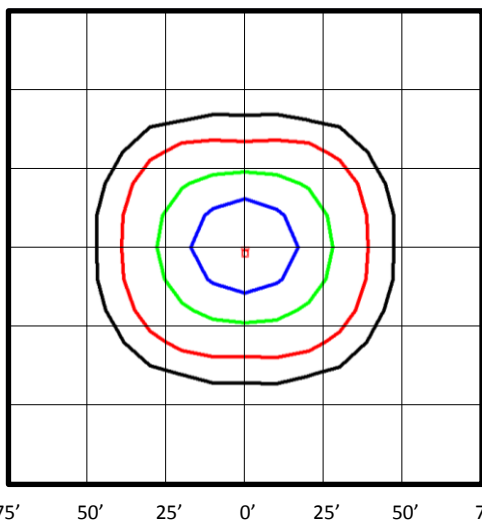
<sup>2</sup> All 50-60Hz.

<sup>3</sup> Total harmonic distortion.

<sup>4</sup> L<sub>70</sub> refers to the number of hours at which lumen output declines to 70% of the initial level. L<sub>70</sub> hours are IES TM-21-11 calculated hours.

## PHOTOMETRIC DATA

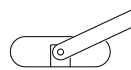
### LEDMPAL15-5K (1,667 Lumens, Type V Distribution)



Foot Candles

- 5.0
- 2.0
- 1.0
- 0.5
- 0.2
- 0.1

Luminaire Orientation:

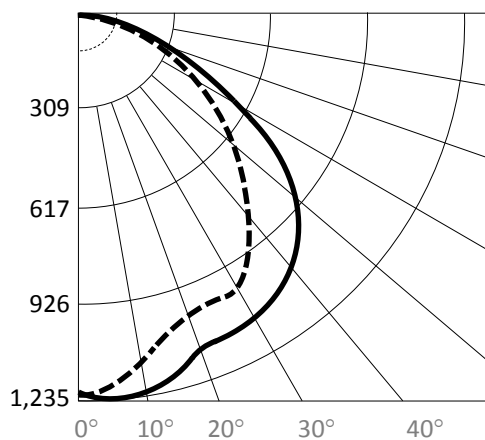


#### Notes:

- Isofootcandle plots depict initial footcandles at grade.
- Gridlines represent units of mounting height of 25 feet.

### BUG Rating: B1-U1-G1

Zone	Lumens	%
FL - Front - Low (0-30)	458	12%
FM - Front - Medium (30-60)	1,025	28%
FH - Front - High (60-80)	326	9%
FVH - Front - Very High (80-90)	34	1%
<b>Total Forward Light</b>	<b>1,843</b>	<b>50%</b>
BL - Back - Low (0-30)	466	13%
BM - Back - Medium (30-60)	1,041	28%
BH - Back - High (60-80)	330	9%
BVH - Back - Very High (80-90)	34	1%
<b>Total Back Light</b>	<b>1,871</b>	<b>50%</b>
UL - Up Light - Low (90-100)	1	0%
UH - Up Light - High (100-180)	4	0%
<b>Total Up Light</b>	<b>4</b>	<b>0%</b>
<b>Total Lumens</b>	<b>3,718</b>	<b>100%</b>



Maximum Candela = 1,235

- Horizontal
- - - Vertical

#### NEMA Floodlight Type Data

Field Angles:

- Horizontal 163°
- Vertical 152°

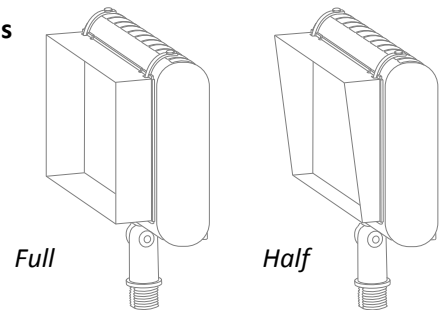
NEMA Type:

- Horizontal 7H
- Vertical 7V

Luminaire Orientation:



#### Shields



#### Wire Guards

