

# LED PAR20/PAR30/PAR38 LAMP



<b>Project:</b>	
<b>Type:</b>	
<b>Catalog #:</b>	



## STANDARD



## APPLICATIONS

LED PAR20/PAR30/PAR38 lamps use in recess down lights, track and outdoor security lights. These are long life maintenance free led replacement lamps.

## ILLUMINATION

- Long life LEDs with up to 25,000 hours at 70% lumen maintenance.
- Choice of 3000K (±175), warm light, 5000K (±283), cool light, color temperature with 80 CRI.
- Produces 450-1200 lumens output from luminaire.
- Uses 1.18W high power, high quality LEDs.
- 25 Degree beam angle.

## ELECTRICAL

- Dimmable to 10% with most dimmers.
- |                    |               |
|--------------------|---------------|
| Lutron Maestro C-L | MACL-153MR    |
| Lutron Skylark C-L | SCL-153P      |
| Leviton Sureslide  | Cat. No. 6674 |
| Lutron             | PD-6WCL       |
| Legrand Harmony    | HCL453PTCCCV6 |
- Save 75% compared to incandescent sources.
  - High efficiency driver with a power factor  $\geq .90$  with input power of 120V, 50-60Hz.
  - Built-in LED Driver.
  - Power consumption of 6 or 9 or 13 watts.
  - Operation temperature of -20°C- 40°C (-4°F- 104°F).

## MOUNTING

- Easy installation.
- No tools required for installation.

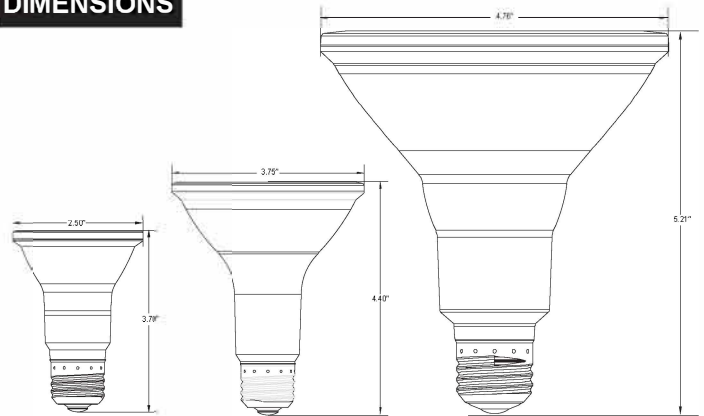
## HOUSING

- Durable thermoplastic construction.
- E26 medium screw-base, Edison.

## WARRANTY/LISTING

- Tested in accordance with IESNA LM79 & LM80.
- ETL Listed for damp location.
- Energy Star qualified.
- Passes FCC Class B.
- Five year warranty on all electronics and housing.

## DIMENSIONS



## ORDERING INFORMATION

MODEL	WATTS		KELVIN RATING		LUMENS
LED PAR20-6W-3K	6W	6 WATTS	3K	3000K	450
LED PAR20-6W-5K	6W	6 WATTS	5K	5000K	450
LED PAR30-9W-3K	9W	9 WATTS	3K	3000K	750
LED PAR30-9W-5K	9W	9 WATTS	5K	5000K	750
LED PAR38-13W-3K	13W	13 WATTS	3K	3000K	1050
LED PAR38-13W-5K	13W	13 WATTS	5K	5000K	1200