

LED PAR20/PAR30/PAR38 LAMP



| | |
|-------------------|--|
| Project: | |
| Type: | |
| Catalog #: | |



STANDARD



APPLICATIONS

LED PAR20/PAR30/PAR38 lamps use in recess down lights, track and outdoor security lights. These are long life maintenance free led replacement lamps.

ILLUMINATION

- Long life LEDs with up to 25,000 hours at 70% lumen maintenance.
- Choice of 3000K (±175), warm light, 5000K (±283), cool light, color temperature with 80 CRI.
- Produces 450-1200 lumens output from luminaire.
- Uses 1.18W high power, high quality LEDs.
- 25 Degree beam angle.

ELECTRICAL

- Dimmable to 10% with most dimmers.
- | | |
|--------------------|---------------|
| Lutron Maestro C-L | MACL-153MR |
| Lutron Skylark C-L | SCL-153P |
| Leviton Sureslide | Cat. No.6674 |
| Lutron | PD-6WCL |
| Legrand Harmony | HCL453PTCCCV6 |
- Save 75% compared to incandescent sources.
 - High efficiency driver with a power factor $\geq .90$ with input power of 120V, 50-60Hz.
 - Built-in LED Driver.
 - Power consumption of 6 or 9 or 13 watts.
 - Operation temperature of -20°C- 40°C (-4°F- 104°F).

MOUNTING

- Easy installation.
- No tools required for installation.

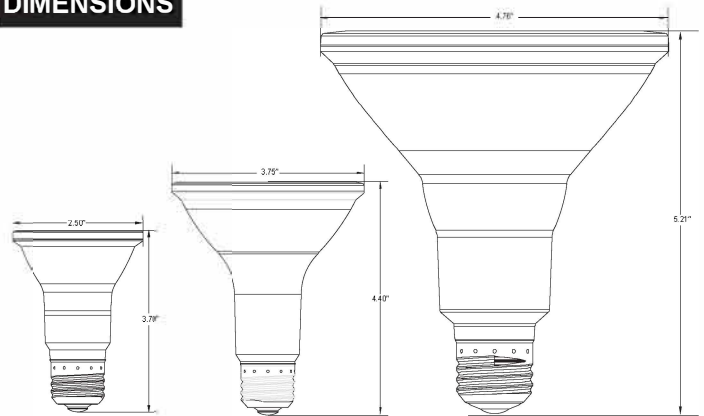
HOUSING

- Durable thermoplastic construction.
- E26 medium screw-base, Edison.

WARRANTY/LISTING

- Tested in accordance with IESNA LM79 & LM80.
- ETL Listed for damp location.
- Energy Star qualified.
- Passes FCC Class B.
- Five year warranty on all electronics and housing.

DIMENSIONS



ORDERING INFORMATION

| MODEL | WATTS | | KELVIN RATING | | LUMENS |
|------------------|-------|----------|---------------|-------|--------|
| LED PAR20-6W-3K | 6W | 6 WATTS | 3K | 3000K | 450 |
| LED PAR20-6W-5K | 6W | 6 WATTS | 5K | 5000K | 450 |
| LED PAR30-9W-3K | 9W | 9 WATTS | 3K | 3000K | 750 |
| LED PAR30-9W-5K | 9W | 9 WATTS | 5K | 5000K | 750 |
| LED PAR38-13W-3K | 13W | 13 WATTS | 3K | 3000K | 1050 |
| LED PAR38-13W-5K | 13W | 13 WATTS | 5K | 5000K | 1200 |