

# LEDWP30W 30 Watt LED Wall Pack



Project:	
Type:	
Catalog #:	

## STANDARD



The LEDWP30W is a rugged, durable LED wall pack, which is perfect for outdoor perimeter and area lighting. With a die cast aluminum housing and a vandal resistant, borosilicate glass lens, the LEDWP30W will stand up to many years of punishing environmental conditions. High-efficacy, long-life LEDs provide both energy and maintenance cost savings compared to traditional, HID wall packs.

## FEATURES

- Available in 4000k (neutral white) and 5000k (cool white) color temperatures.\*
- Long-life LEDs provide 69,000 hours of operation with at least 70% of initial lumen output (L<sub>70</sub>).\*\*
- Choose from 3,243 lumens and 108 lumens per watt (LPW) at 4000k, or 3,316 lumens and 111 LPW at 5000k.\*
- Uniform illumination with no visible LED pixilation.
- Universal 120-277 AC voltage (50-60Hz) is standard.
- Power factor > 0.90.
- Total harmonic distortion < 20%.
- Color rendering index > 70.
- Die cast aluminum housing with durable, dark bronze, powder coat paint.
- Tempered, borosilicate glass lens with seamless, silicone gasket to prevent leaks.
- Easy installation in new construction or retrofit.

\* Contact factory for other color temperatures and lumen packages.

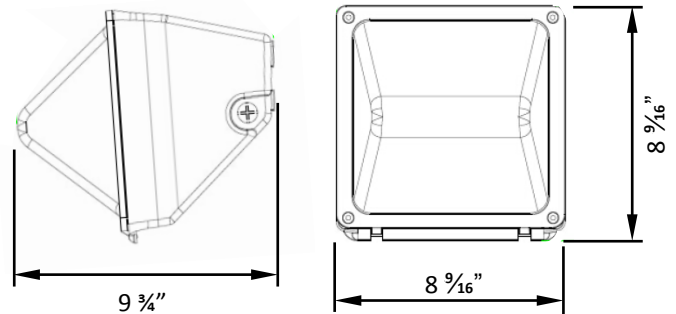
\*\* L<sub>70</sub> hours are IES TM-21-11 calculated hours.



## WARRANTY & LISTINGS

- cULus listed for wet locations (-30°C to 40°C / -22°F to 104°F).
- IP65 rated.
- DLC standard approved.
- Complies with EN61000-4-5, surge immunity (1kV).
- 5-year warranty on all electronics and housing.

## DIMENSIONS



Weight: 5 lbs.

## ORDERING INFORMATION

Model	Luminaire Watts	Luminaire Lumens	Lumens Per Watt	Color Temperature
LEDWP30W-4K	30	3,243	108	4K = 4000k
LEDWP30W-5K	30	3,316	111	5K = 5000k

## ELECTRICAL

Model	Color Temperature	CRI <sup>1</sup>	Luminaire Lumens	Luminaire Watts	Lumens Per Watt	Input Voltage	Input Current (A)			Power Factor	THD <sup>2</sup>	L <sub>70</sub> Hours <sup>3</sup>
							120V	240V	277V			
LEDWP30W-4K	4000k	> 70	3,243	30	108	120-277 (50-60Hz)	0.25	0.13	0.11	> 90%	< 20%	69,000
LEDWP30W-5K	5000k	> 70	3,316	30	111	120-277 (50-60Hz)	0.25	0.13	0.11	> 90%	< 20%	69,000

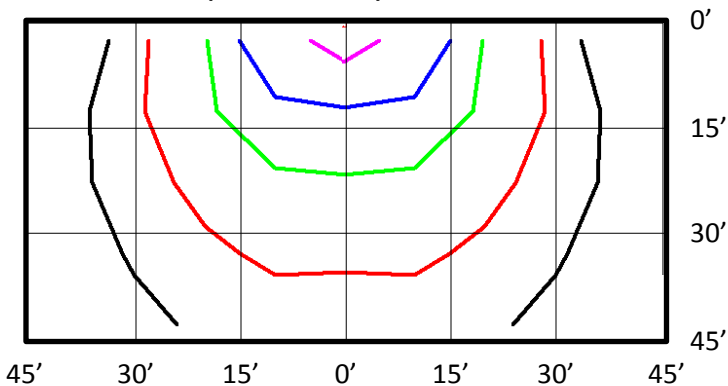
<sup>1</sup> Color rendering index

<sup>2</sup> Total harmonic distortion

<sup>3</sup> L<sub>70</sub> refers to the number of hours at which lumen output declines to 70% of the initial level. L<sub>70</sub> hours are IES TM-21-11 calculated hours.

## PHOTOMETRIC DATA

LEDWP30W-5K (3,316 Lumens)



### Notes:

- Isofootcandle plots depict initial footcandles at grade.
- Gridlines represent units of mounting height of 15 feet.

### Foot Candles

- 5.0
- 2.0
- 1.0
- 0.5
- 0.2
- 0.1

### BUG Rating: B1-U3-G3

Zone	Lumens	%
FL - Front - Low (0-30)	301	9%
FM - Front - Medium (30-60)	923	28%
FH - Front - High (60-80)	648	20%
FVH - Front - Very High (80-90)	290	9%
<b>Total Forward Light</b>	<b>2,162</b>	<b>65%</b>
BL - Back - Low (0-30)	220	7%
BM - Back - Medium (30-60)	291	9%
BH - Back - High (60-80)	94	3%
BVH - Back - Very High (80-90)	19	1%
<b>Total Back Light</b>	<b>624</b>	<b>19%</b>
UL - Up Light - Low (90-100)	228	7%
UH - Up Light - High (100-180)	302	9%
<b>Total Up Light</b>	<b>530</b>	<b>16%</b>
<b>Total Lumens</b>	<b>3,316</b>	<b>100%</b>