

LEDWP60W/80W 60 & 80 Watt LED Wall Pack



Project:	
Type:	
Catalog #:	

STANDARD



The LEDWP60W/80W are rugged, durable LED wall packs, which are perfect for outdoor perimeter and area lighting. With die cast aluminum housings and vandal resistant, borosilicate glass lenses, the LEDWP60W/80W will stand up to many years of punishing environmental conditions. High-efficacy, long-life LEDs provide both energy and maintenance cost savings compared to traditional, HID wall packs.

FEATURES

- Available in 4000k (neutral white) and 5000k (cool white) color temperatures.*
- Long-life LEDs provide 59,000 hours of operation (LEDWP60W), or 57,000 hours of operation (LEDWP80W) with at least 70% of initial lumen output (L_{70}).**
- LEDWP60W models deliver 6,990 lumens and 115 lumens per watt (LPW) at 4000k, or 7,231 lumens and 119 LPW at 5000k.*
- LEDWP80W models deliver 9,803 lumens and 126 LPW at 4000k, or 9,953 lumens and 128 LPW at 5000k.*
- Uniform illumination with no visible LED pixilation.
- Universal 120-277 AC voltage (50-60Hz) is standard.
- Power factor > 0.90.
- Total harmonic distortion < 20%.
- Color rendering index > 70.
- Die cast aluminum housing with durable, dark bronze, powder coat paint.
- Tempered, borosilicate glass lens with seamless, silicone gasket to prevent leaks.
- Removable, threaded plugs for side attachment of 1/2" rigid electrical conduit, or for button photocells.
- Easy installation in new construction or retrofit.

* Contact factory for other color temperatures and lumen packages.

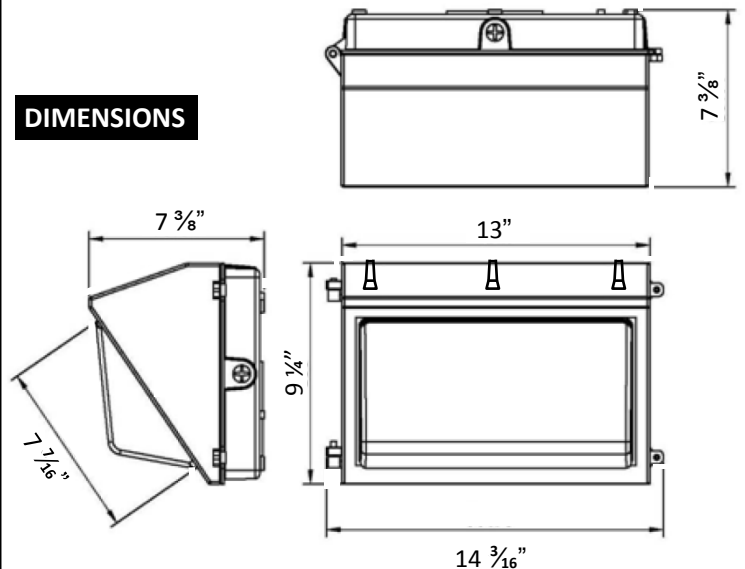
** L_{70} hours are IES TM-21-11 calculated hours.



WARRANTY & LISTINGS

- cULus listed for wet locations (-30°C to 40°C / -22°F to 104°F).
- IP65 rated.
- DLC standard approved.
- Complies with EN61000-4-5, surge immunity (2kV).
- 5-year warranty on all electronics and housing.

DIMENSIONS



Weight: 11 lbs.

ORDERING INFORMATION

Model	Luminaire Watts	Luminaire Lumens	Lumens Per Watt	Color Temperature
LEDWP60W-4K	61	6,990	115	4K = 4000k
LEDWP60W-5K	61	7,231	119	5K = 5000k
LEDWP80W-4K	78	9,803	126	4K = 4000k
LEDWP80W-5K	78	9,953	128	5K = 5000k

LEDWP60W/80W 60 & 80 Watt LED Wall Pack



ELECTRICAL

Model	Color Temperature	CRI ¹	Luminaire Lumens	Luminaire Watts	Lumens Per Watt	Input Voltage	Input Current (A)			Power Factor	THD ²	L ₇₀ Hours ³
							120V	240V	277V			
LEDWP60W-4K	4000k	> 70	6,990	61	115	120-277 (50-60Hz)	0.51	0.25	0.22	> 90%	< 20%	59,000
LEDWP60W-5K	5000k	> 70	7,231	61	119	120-277 (50-60Hz)	0.51	0.25	0.22	> 90%	< 20%	59,000
LEDWP80W-4K	4000k	> 70	9,803	78	126	120-277 (50-60Hz)	0.65	0.33	0.28	> 90%	< 20%	57,000
LEDWP80W-5K	5000k	> 70	9,953	78	128	120-277 (50-60Hz)	0.65	0.33	0.28	> 90%	< 20%	57,000

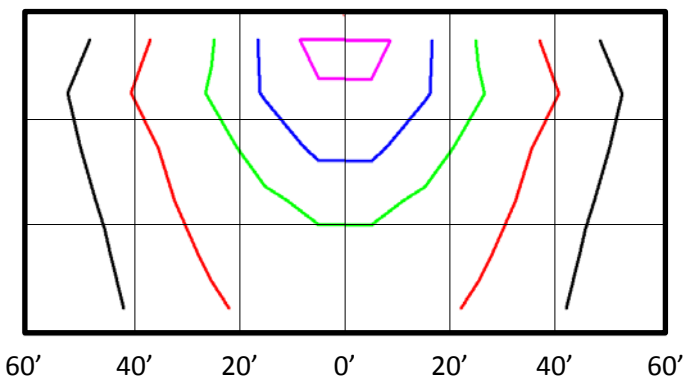
¹ Color rendering index

² Total harmonic distortion

³ L₇₀ refers to the number of hours at which lumen output declines to 70% of the initial level. L₇₀ hours are IES TM-21-11 calculated hours.

PHOTOMETRIC DATA

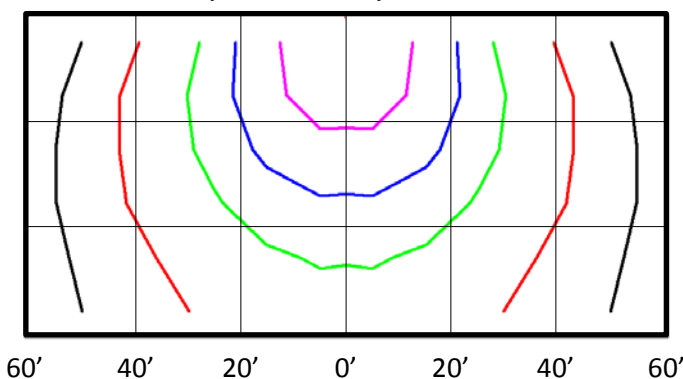
LEDWP60W-5K (7,231 Lumens)



BUG Rating: B1-U4-G4

Zone	Lumens	%
FL - Front - Low (0-30)	681	9%
FM - Front - Medium (30-60)	2,066	29%
FH - Front - High (60-80)	1,581	22%
FVH - Front - Very High (80-90)	684	9%
Total Forward Light	5,012	69%
BL - Back - Low (0-30)	377	5%
BM - Back - Medium (30-60)	357	5%
BH - Back - High (60-80)	99	1%
BVH - Back - Very High (80-90)	24	0%
Total Back Light	856	12%
UL - Up Light - Low (90-100)	568	8%
UH - Up Light - High (100-180)	796	11%
Total Up Light	1,363	19%
Total Lumens	7,231	100%

LEDWP80W-5K (9,953 Lumens)



BUG Rating: B1-U4-G5

Zone	Lumens	%
FL - Front - Low (0-30)	909	9%
FM - Front - Medium (30-60)	2,707	27%
FH - Front - High (60-80)	2,240	23%
FVH - Front - Very High (80-90)	980	10%
Total Forward Light	6,836	69%
BL - Back - Low (0-30)	440	4%
BM - Back - Medium (30-60)	441	4%
BH - Back - High (60-80)	128	1%
BVH - Back - Very High (80-90)	30	0%
Total Back Light	1,038	10%
UL - Up Light - Low (90-100)	836	8%
UH - Up Light - High (100-180)	1,243	12%
Total Up Light	2,079	21%
Total Lumens	9,953	100%

Foot Candles

- 5.0
- 2.0
- 1.0
- 0.5
- 0.2
- 0.1

Notes:

- Isofootcandle plots depict initial footcandles at grade.
- Gridlines represent units of mounting height of 15 feet.