

LEDWPPCSNF 20 Watt LED Wall Pack



Project:	
Type:	
Catalog #:	

STANDARD



The LEDWPPCSNF wall pack is an economical solution for outdoor perimeter and area lighting. With a built-in photocell, a die cast aluminum housing, and a frosted, polycarbonate lens, the LEDWPPCSNF is a versatile and durable outdoor luminaire. High-efficacy, long-life LEDs provide both energy and maintenance cost savings compared to traditional, HID wall packs.

FEATURES

- Available in 3000k (warm white), 4000k (neutral white) and 5000k (cool white) color temperatures.*
- Long-life LEDs provide 63,000 hours of operation with at least 70% of initial lumen output (L₇₀).**
- Provides 2,381 lumens and 121 lumens per watt (LPW) at 3000k; 2,393 lumens and 123 LPW at 4000k; and 2,472 lumens and 126 LPW at 5000k.*
- Frosted lens provides uniform illumination with no visible LED pixilation.
- Universal 120-277 AC voltage (50-60Hz) is standard.
- Standard photocell (120-277V).
- Power factor > 0.90.
- Total harmonic distortion < 20%.
- Color rendering index > 80.
- Die cast aluminum housing with durable, dark bronze, powder coat paint.
- Polycarbonate lens is sealed and gasketed to prevent leaks.
- Easy installation in new construction or retrofit.

* Contact factory for other color temperatures and lumen packages.

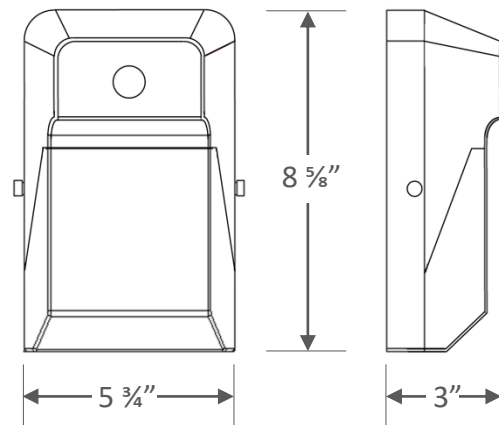
** L₇₀ hours are IES TM-21-11 calculated hours.



WARRANTY & LISTINGS

- cULus listed for wet locations in ambient temperatures from -20°C to 45°C (-4°F to 113°F).
- IP65 rated for ingress protection.
- DLC standard approved (except 3000k model).
- Complies with RoHS (Restriction on Hazardous Substances) requirements.
- 5-year warranty on all electronics and housing.

DIMENSIONS



Weight: 1.8 lbs.

ORDERING INFORMATION

Example: LEDWPPCSNF-20W-3K

Model	Luminaire Watts	Color Temperature	Luminaire Lumens	Lumens Per Watt
LEDWPPCSNF	20W	3K = 3000k	2,381	121
		4K = 4000k	2,393	123
		5K = 5000k	2,472	126

LEDWPPCSNF 20 Watt LED Wall Pack



ELECTRICAL

Model	Color Temperature	CRI ¹	Luminaire Lumens	Luminaire Watts	Lumens Per Watt	Input Voltage ²	Input Current (A)			Power Factor	THD ³	L ₇₀ Hours ⁴
							120V	240V	277V			
LEDWPPCSNF-20W-3K	3000k	> 80	2,381	20	121	120-277	0.16	0.08	0.07	> 90%	< 20%	63,000
LEDWPPCSNF-20W-4K	4000k	> 80	2,393	20	123	120-277	0.16	0.08	0.07	> 90%	< 20%	63,000
LEDWPPCSNF-20W-5K	5000k	> 80	2,472	20	126	120-277	0.16	0.08	0.07	> 90%	< 20%	63,000

¹ Color rendering index.

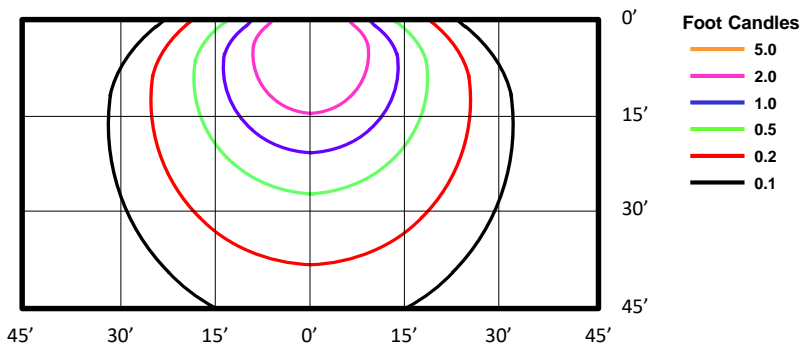
² All 50-60Hz.

³ Total harmonic distortion.

⁴ L₇₀ refers to the number of hours at which lumen output declines to 70% of the initial level. L₇₀ hours are IES TM-21-11 calculated hours.

PHOTOMETRIC DATA

LEDWPPCSNF-20W-4K (2,393 Lumens)



Notes:

- Isofootcandle plots depict initial footcandles at grade.
- Gridlines represent units of mounting height of 15 feet.