

MPALPRO Multi-Purpose LED Area Light, 30,000 Lumens



Project:	
Type:	
Catalog #:	

Shown with standard slip-fitter



STANDARD



The MPALPRO series is a group of architectural LED area luminaires designed to illuminate parking areas, pathways, building facades, loading docks, and a variety of other general site lighting applications. Multiple mounting options make the MPALPRO a versatile luminaire for flood lighting, pole-, ground-, and wall-mounted area lighting, and other outdoor lighting requirements.

FEATURES

- Available in 4000k (neutral white) and 5000k (cool white) color temperatures.*
- Long-life LEDs provide 142,000 hours of operation with at least 70% of initial lumen output (L_{70}).**
- Delivers from 29,555 lumens (132 lumens per watt, LPW) to 30,221 lumens (133 LPW).*
- Standard optic provides an IES roadway type III distribution, or a 7H (horizontal) x 7V (vertical) NEMA floodlight distribution.
- Models operating at both 120-277 & 347-480 AC voltage (50-60Hz) are available.
- 0-10vdc dimming drivers are standard.
- Power factor > 0.90.
- Total harmonic distortion < 20%.
- Color rendering index > 80.
- Die cast aluminum housing with durable, dark bronze powder coat finish, and a heat-resistant polycarbonate lens.
- Wireway enclosure is sealed with a water-tight, silicon rubber gasket.
- Threaded receptacle ($\frac{1}{2}$ " NPS) for photocell. Optional arms provide additional photocell mounting options.
- Easy installation in new construction or retrofit applications.

* Contact factory for other color temperatures and lumen packages.
 ** L_{70} hours are IES TM-21-11 calculated hours.

WARRANTY & LISTINGS

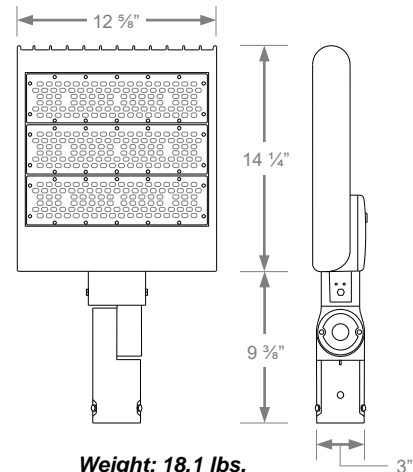
- cULus listed for wet locations in ambient temperatures from -40°C to 40°C (-40°F to 104°F).
- IP65 rated.
- DLC premium approved.
- Complies with RoHS (Restriction on Hazardous Substances) requirements.
- Complies with FCC Part 15, class B.
- Complies with IEEE C.62.41-1991, input transient protection (2kV).
- 5-year warranty of all electronics and housing.

MOUNTING OPTIONS

- Slip-fitter mount is standard. Provides attachment to poles (2 $\frac{3}{8}$ " O.D. tenon).
- Optional trunnion and steel arm mounts provide secure attachment to flat surfaces, or use the adaptor for round poles.



DIMENSIONS



ORDERING INFORMATION

Example: MPALPRO-31-4K-UNV-SF-T3 + MPALPRO-T-100/230

Multi-purpose area luminaire, 30,000 nominal lumens, 4000k, 120-277V, slip-fitter mount, type III distribution + trunnion mount

Model	Luminaire Lumens	Luminaire Watts	Lumens Per Watt	Color Temperature	Input Voltage	Options (Order Separately)
MPALPRO-31-4K-UNV-SF-T3	30,221	227	133	4K = 4000k	120-277	MPALPRO-T-100/230 = Trunnion mount – 13K, 20K & 31K models
MPALPRO-31-5K-UNV-SF-T3	30,066	227	132	5K = 5000k	120-277	
MPALPRO-31-4K-UNC-SF-T3	29,555	224	132	4K = 4000k	347-480	MPALPRO-A-100/300 = Arm mount – all models LEDMPAL-APA-80/300 = Round Pole Adaptor (compatible with 4-6" poles)
MPALPRO-31-5K-UNC-SF-T3	29,663	224	132	5K = 5000k	347-480	

MPALPRO Multi-Purpose LED Area Light, 30,000 Lumens



ELECTRICAL DATA

Model	Color Temperature	CRI ¹	Luminaire Lumens	Luminaire Watts	Lumens Per Watt	Input Voltage ²	Input Current (A)			Power Factor	THD ³	L ₇₀ Hours ⁴
							120V	240V	277V			
MPALPRO-31-4K-UNV-SF-T3	4K = 4000k	> 80	30,221	227	133	120-277	1.89	0.95	0.82	> 90%	< 20%	142,000
MPALPRO-31-5K-UNV-SF-T3	5K = 5000k	> 80	30,066	227	132	120-277	1.89	0.95	0.82	> 90%	< 20%	142,000
							347V	480V				
MPALPRO-31-4K-UNC-SF-T3	4K = 4000k	> 80	29,555	224	132	347-480	0.64	0.47		> 90%	< 20%	142,000
MPALPRO-31-5K-UNC-SF-T3	5K = 5000k	> 80	29,663	224	132	347-480	0.65	0.47		> 90%	< 20%	142,000

¹ Color rendering index.

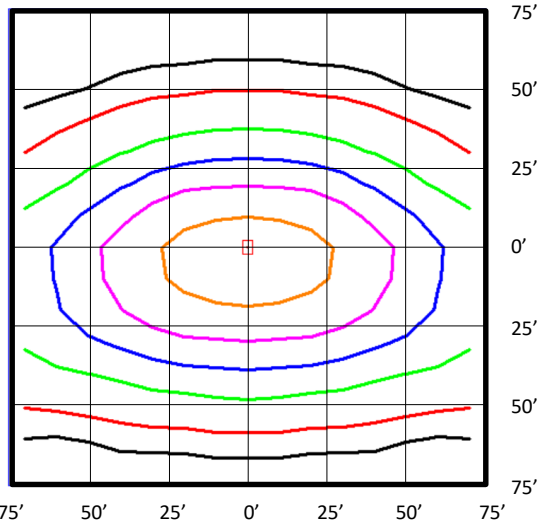
² All 50-60Hz.

³ Total harmonic distortion.

⁴ L₇₀ refers to the number of hours at which lumen output declines to 70% of the initial level. L₇₀ hours are IES TM-21-11 calculated hours.

PHOTOMETRIC DATA

MPALPRO-31-4K-UNV-SF-T3 (30,221 Lumens)



BUG Rating: B4-U0-G4

Zone	Lumens	%
FL - Front - Low (0-30)	3,104	10%
FM - Front - Medium (30-60)	9,234	31%
FH - Front - High (60-80)	6,192	20%
FVH - Front - Very High (80-90)	670	2%
Total Forward Light	19,200	64%
BL - Back - Low (0-30)	2,226	7%
BM - Back - Medium (30-60)	5,319	18%
BH - Back - High (60-80)	3,289	11%
BVH - Back - Very High (80-90)	188	1%
Total Back Light	11,021	36%
UL - Up Light - Low (90-100)	0	0%
UH - Up Light - High (100-180)	0	0%
Total Up Light	0	0%
Total Lumens	30,221	100%