

# RELZXTTE

## RECESSED EDGELIT ALUMINUM EXIT SIGN



EXIT

### STANDARD



### OPTIONAL



### ILLUMINATION

- Ultra bright, energy efficient, long life Red or Green LEDs.
- UV-stabilized ultra-clear acrylic edgelit panel provides consistent, uniform illumination.
- Double face utilizes factory installed silver or white mylar background panel.

### ELECTRICAL

- Dual 120/277 voltage standard.
- Charge rate/power "ON" LED indicator light and push-to-test switch for mandated code compliance testing.
- 4.8V long life, maintenance-free, rechargeable NiCd battery (EM models only).
- Internal solid-state transfer switch automatically connects the internal battery to LED board for minimum 90-minute emergency illumination.
- Fully automatic solid-state, two rate charger initiates battery charging to recharge a discharged battery in 24 hours.

### MOUNTING

- Compatible with drywall or drop ceiling mount installations. Bar hangers included.
- Wall mount capability optional.

### HOUSING

- Premium-grade, extruded aluminum housing.
- Extruded aluminum trim assembly is easily detachable from below, providing accessibility for service or maintenance. Available in optional black or white powder-coated finishes.
- Self-adhesive Chevron appliques and guide template provided for directional indication.

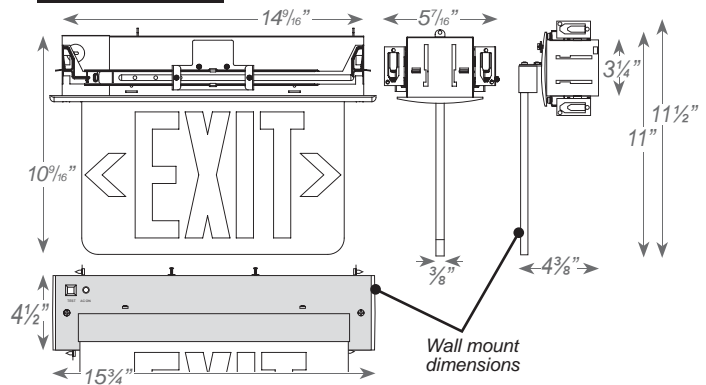
### OPTIONS

- WM: Allows for the unit to be wall recessed mounted.
- 2C-120V/2C-277V: Voltage-specific dual circuit option on the AC-only unit enables it to be connected to two different supplies at the same time.
- SDT: Self-diagnostic feature performs monthly, biannual, and annual tests to ensure reliable operation and meets electrical and life safety codes.
- USA: Substantial transformation assembly in the U.S. complies with "Assembled in the USA" under the Buy American Act.
- SPV: UL Listed for 208/220/240 Volt, 50/60Hz.
- Custom: Signs available with requested 'special' wording.

### WARRANTY / LISTING

- Five year warranty on all electronics and housing. Battery prorated for five years.
- Meets UL924, NFPA 101 Life Safety Code, NEC, OSHA, Local and State Codes.
- UL Listed for damp locations (0°C – 50°C).
- Certified to CEC under Title 20 Regulations.

### DIMENSIONS



RELZXTTE

### ORDERING INFORMATION

Sample Part Number: RELZXTTE1RCWEM

MODEL	No. of FACES	LETTER	PANEL	TRIM PLATE	BATTERY	OPTIONS
RELZXTTE	1	Single Face	R Red	C Clear <sup>1</sup>	W White	(blank) AC Only
	2	Double Face	G Green	M Mirror	B Black	EM Battery Backup
			W White	A Aluminum		
						WM Wall Mount <sup>1</sup>
						2C-120 Dual Circuit With 120V Input <sup>2</sup>
						2C-277 Dual Circuit With 277V Input <sup>2</sup>
						SDT Self-Diagnostics <sup>3</sup>
						USA Assembled In USA
						SPV 208/220/240 Volt, 50/60Hz <sup>4</sup>
						CUSTOM Custom Wording

<sup>1</sup> With single face only.

<sup>2</sup> Available only with AC units.

<sup>3</sup> Available only with EM units.

<sup>4</sup> Not available with SDT.