

RMR-16-65/125 Remote Capable MR-16 Emergency Unit



Project:	
Type:	
Catalog #:	



STANDARD



OPTIONAL



ILLUMINATION

- Two fully adjustable ultra bright, round, 12W, MR-16 halogen lamp heads standard.

ELECTRICAL

- Offer 26W of remote capacity when using standard 12W halogen lamps, 43W of remote capacity when using 3.3W LED lamps, and 40W of remote capacity when using 5.0W LED lamps.
- Dual 120/277 voltage.
- Charge rate/power "ON" LED indicator light and push-to-test switch for mandated code compliance testing.
- LVD (low voltage disconnect) prevents battery from deep discharge.
- 6V maintenance-free, rechargeable sealed lead acid battery.
- Internal solid-state transfer switch automatically connects the internal battery to lamp heads for minimum 90-minute emergency illumination.
- Fully automatic solid-state, two rate charger initiates battery charging to recharge a discharged battery in 24 hours.

MOUNTING

- Surface mount via easy connect back plate, which fits most standard junction boxes and snaps into place making internal electrical connections.
- Conduit mount knockout on top of housing and backplate.
- Suitable for wall mount.

HOUSING

- Injection-molded, engineering grade, 5VA flame retardant, high-impact resistant, thermoplastic in white or black finish.

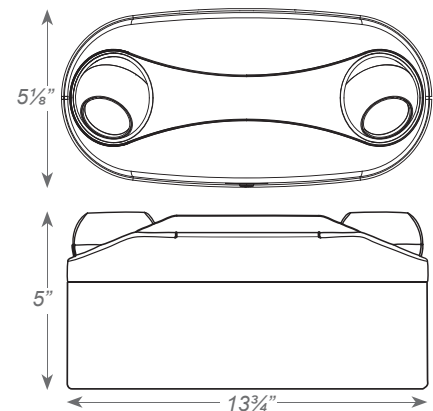
OPTIONS

- LED: 3.6W high performance MR-16 base LED lamps.
- PLED: 5.0W high performance MR-16 base LED Lamps for premium center-to-center spacing.

WARRANTY / LISTING

- Five year warranty on all electronics and housing. Battery pro rated for two years.
- Meets UL924, NFPA 101 Life Safety Code, NEC, OSHA, Local and State Codes.
- UL Listed for damp locations (20°C – 40°C).

DIMENSIONS



ORDERING INFORMATION

Special Voltage options available.

MODEL	HOUSING COLOR		OPTIONS	
RMR-16-65 (6 Volt)	Blank	White	LED	3.6W High Lumen White LED Lamp
RMR-16-125 (12 Volt)	B	Black	PLED	5.0W High Lumen White LED Lamps

Sample Part Number: **RMR-16-65**

RMR-16-65/125 Remote Capable MR-16 Emergency Unit



Project:	
Type:	
Catalog #:	

ELECTRICAL INFORMATION

CATALOG NUMBER	INPUT WATTS (W)		INPUT AMPS (A)	
	120V	277V	120V	277V
RMR-16-65	11.4	11.4	0.12	0.05
RMR-16-125	11.5	11.7	0.12	0.05

REMOTE LAMP COMPATIBILITY

MODEL NUMBER	BATTERY	REMOTE CAPACITY	COMPATIBLE REMOTE HEAD FAMILY												
			RHLED			RH16LED	RH16		RH		RHR		SRH		SRHLED
			3.6V	9.6V	MV		6V	12V	6V	12V	6V	12V	6V	12V	
RMR-16-65	6V	26W			X	X	X		X		X		X		X
RMR-16-65-LED	6V	43W			X	X	X		X		X		X		X
RMR-16-65-PLED	6V	40W			X	X	X		X		X		X		X
RMR-16-125	12V	26W			X	X		X		X		X		X	
RMR-16-125-LED	12V	43W			X	X		X		X		X		X	
RMR-16-125-PLED	12V	40W			X	X		X		X		X		X	