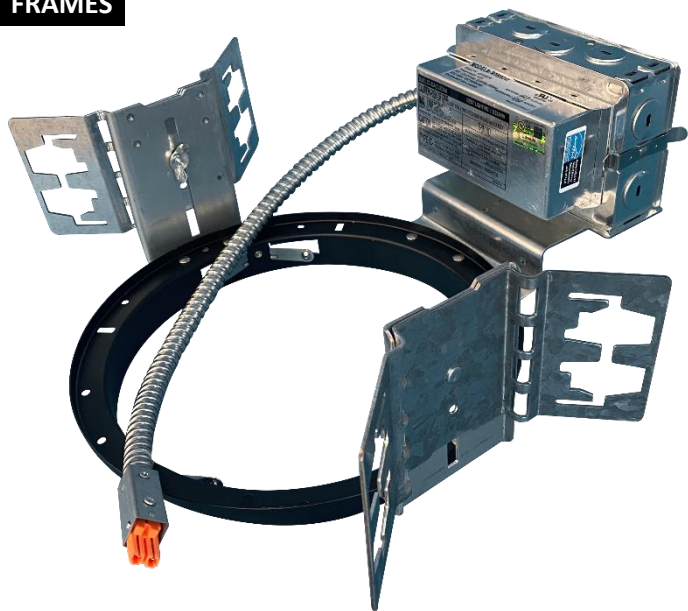


8" Architectural Frame & Trim Set



FRAMES



FEATURES

- Flat bar hangers available for ceiling grid mounting (order separately).
- Junction box is mounted on frame for easy wiring and driver access.
- Integral heat sink for heat disbursement.
- Tapered aluminum reflector with frosted lens.
- Input voltage = 120-277V (50-60Hz).
- Wattage = 40W or 52W
- 0-10V dimming.

TRIMS



FEATURES

- Available in 4000k (neutral white) color temperatures.*
- Long-life LEDs provide at least 70% of initial lumen output (L_{70}) for 50,000 hours of operation.**
- Provides up to 4,530 nominal lumens.
- Color rendering index (R_a) > 80.

* Contact factory for other color temperatures and lumen packages.
** L_{70} hours are IES TM-21-11 calculated hours.

WARRANTY & LISTINGS

- cULus listed for damp and wet locations.
- Energy Star qualified.
- Title 24 compliant.

STANDARD



- Complies with RoHS (Restriction on Hazardous Substances) requirements.
- 5-year warranty of all electronics and housing.

Specifications and dimensions subject to change without notice.

8" Architectural Frame & Trim Set



ORDERING INFORMATION - Frames

MODEL	DESCRIPTION
BL8CLED-40A	8" FRAME, 40 WATTS, FOR USE WITH BL8TCLD-40HZ-4K
BL8CLED-52A	8" FRAME, 52 WATTS, FOR USE WITH BL8TCLD-52HZ-4K

ORDERING INFORMATION - TRIMS

MODEL	DESCRIPTION
BL8TCLD-40HZ-4K	8" TRIM, 4000K, 3,090 LUMENS, FOR USE WITH BL8CLED-40A
BL8TCLD-52HZ-4K	8" TRIM, 4000K, 4,530 LUMENS, FOR USE WITH BL8CLED-52A

ACCESSORIES

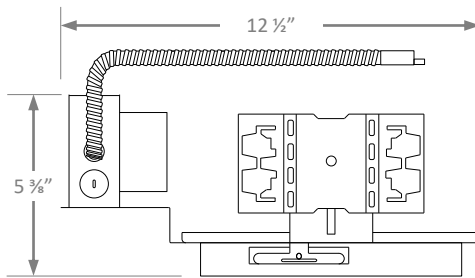
MOUNTING ACCESSORIES

ZZ-BARHANGER-ARCHCAN-FLAT27"

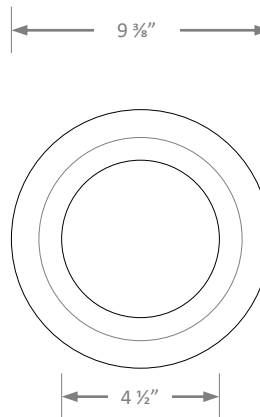
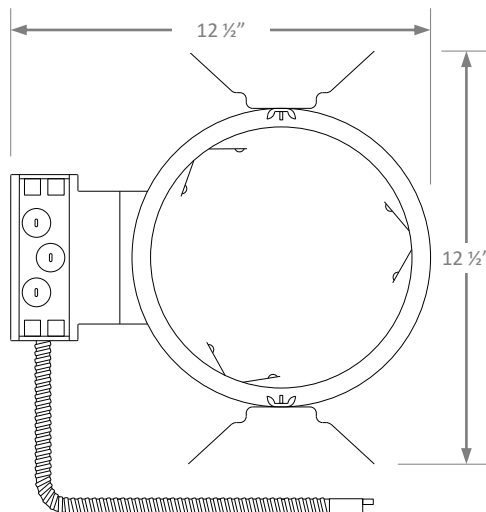
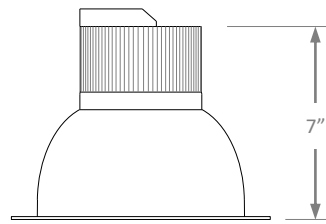
FLAT BAR HANGER - 27", FOR ARCHITECTURAL CANS

DIMENSIONS

BL8CLED-40A
BL8CLED-52A



BL8TCLD-40HZ-4K
BL8TCLD-52HZ-4K



ZZ-BARHANGER-ARCHCAN-FLAT27"

