

6" Architectural Frame & Trim Set



FRAMES



FEATURES

- Flat bar hangers available for ceiling grid mounting (order separately).
- Junction box is mounted on frame for easy wiring and driver access.
- Integral heat sink for heat disbursement.
- Tapered aluminum reflector with frosted lens.
- Input voltage = 120-277V (50-60Hz).
- Wattage = 28W (3000k) or 48W (4000k)
- 0-10V dimming.

TRIMS



FEATURES

- Available in 3000k (warm white) and 4000k (neutral white) color temperatures.*
- Long-life LEDs provide at least 70% of initial lumen output (L_{70}) for 50,000 hours of operation.**
- Provides up to 3,770 nominal lumens.
- Color rendering index (R_a) > 80.

* Contact factory for other color temperatures and lumen packages.
** L_{70} hours are IES TM-21-11 calculated hours.

STANDARD

WARRANTY & LISTINGS

- cULus listed for damp and wet locations.
- Energy Star qualified.
- Title 24 compliant.



- Complies with RoHS (Restriction on Hazardous Substances) requirements.
- 5-year warranty of all electronics and housing.

Specifications and dimensions subject to change without notice.

6" Architectural Frame & Trim Set



ORDERING INFORMATION - Frames

| MODEL | DESCRIPTION |
|-------------|--|
| BL6CLED-28A | 6" FRAME, 28 WATTS, FOR USE WITH BL6TCLD-28HZ-3K |
| BL6CLED-48A | 6" FRAME, 48 WATTS, FOR USE WITH BL6TCLD-48HZ-4K |

ORDERING INFORMATION - TRIMS

| MODEL | DESCRIPTION |
|-----------------|--|
| BL6TCLD-28HZ-3K | 6" TRIM, 3000K, 2,210 LUMENS, FOR USE WITH BL6CLED-28A |
| BL6TCLD-48HZ-4K | 6" TRIM, 4000K, 3,770 LUMENS, FOR USE WITH BL6CLED-48A |

ACCESSORIES

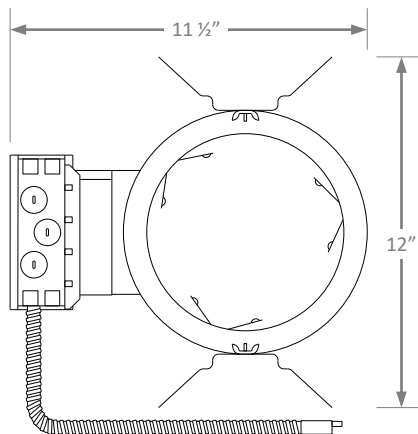
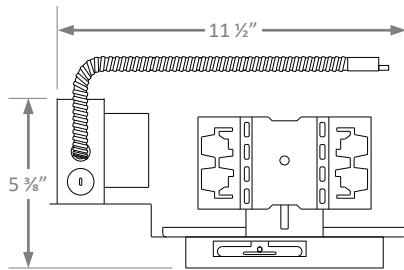
MOUNTING ACCESSORIES

ZZ-BARHANGER-ARCHCAN-FLAT27"

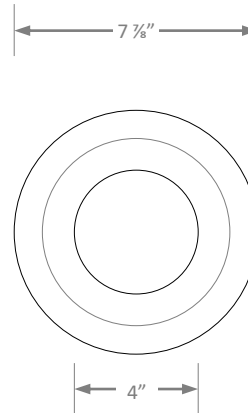
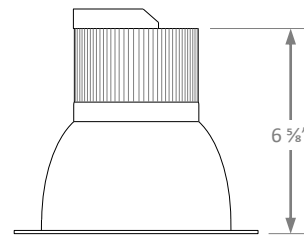
FLAT BAR HANGER - 27", FOR ARCHITECTURAL CANS

DIMENSIONS

BL6CLED-28A
BL6CLED-48A



BL6TCLD-28HZ-3K
BL6TCLD-48HZ-4K



ZZ-BARHANGER-ARCHCAN-FLAT27"

