

# BRK-LEDARC6 6" LED Architectural Downlight



Project:	
Type:	
Catalog #:	

## STANDARD



## FEATURES

- 28W model available in 3000k. 40W model available in 4000k.\*
- Long-life LEDs provide at least 70% of initial lumen output ( $L_{70}$ ) for 50,000 hours of operation.\*\*
- Provides up to 2,980 nominal lumens.
- Color rendering index ( $R_a$ ) > 80.
- Input voltage = 120-277V (50-60Hz).
- 0-10V dimming.
- Installs from below ceiling and secured by tension clips.  
NOTE: tension clips are not provided with the luminaire.
- Flexible conduit with quick-connector is standard.
- Integral heat sink for heat disbursement.
- This device is not intended for use with emergency exits.

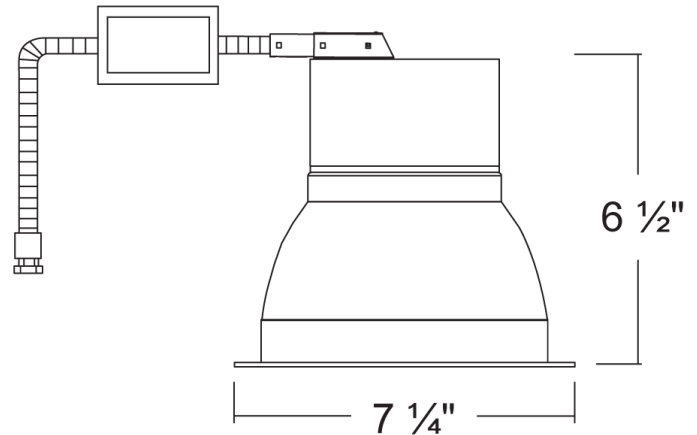
## WARRANTY & LISTINGS

- cULus listed for damp and wet locations.
- Title 24 compliant.
- Complies with RoHS (Restriction on Hazardous Substances) requirements.
- 5-year warranty of all electronics and housing.

\* Contact factory for other color temperatures and lumen packages.  
\*\*  $L_{70}$  hours are IES TM-21-11 calculated hours.



## DIMENSIONS



## ORDERING INFORMATION

MODEL	DESCRIPTION
BRK-LED28ARC6-3K	6" ARCHITECTURAL RETROFIT, 3000K, 2,210 LUMENS, 28 WATTS
BRK-LED40ARC6-4K	6" ARCHITECTURAL RETROFIT, 4000K, 2,980 LUMENS, 40 WATTS