

BRK-LED4-BW-V2

4" LED Trims



Project:	
Type:	
Catalog #:	



STANDARD



FEATURES

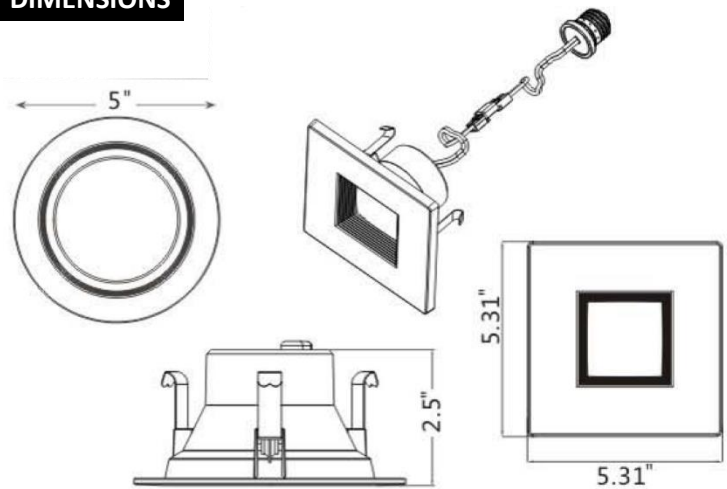
- Available in 2700k, 3000k, 3500k, 4000k, and 5000k color temperatures.*
- Long-life LEDs provide at least 70% of initial lumen output (L_{70}) for 50,000 hours of operation.**
- Provides up to 610 nominal lumens.
- 8 nominal watts.
- Color rendering index (R_a) > 80.
- 120 (60Hz) AC voltage is standard.
- Dimmable down to 10% with most line voltage dimmers.
- Thermoplastic construction.
- Easy installation in new construction or remodel applications. Equipped with torsion springs.
- Compatible with insulated, non-insulated, and air-tight ceilings.
- E26 medium screw-base (Edison) connector comes standard.
- Compatible with BL4ICLED series.
- This device is not intended for use with emergency exits.

WARRANTY & LISTINGS

- cETLus listed for wet locations.
- Energy Star qualified.
- Complies with FCC Part 15, class B.
- Complies with RoHS (Restriction on Hazardous Substances) requirements.
- 5-year warranty of all electronics and housing.

* Contact factory for other color temperatures and lumen packages.
 ** L_{70} hours are IES TM-21-11 calculated hours.

DIMENSIONS



ORDERING INFORMATION

Example: BRK-LED4-BW-3-ECO-V2

Series	Trim Type	Color Temperature (lumen output)	Accessories (Order Separately)		
BRK-LED4	BW Baffle	27-ECO-V2	2700K (550 lm)	LED4-TRMPLT-ECO-SQ	Square snap trim
		3-ECO-V2	3000K (570 lm)	LED4-TRMPLT-ECO-SPWHT	Specular white snap trim
		35-ECO-V2	3500K (580 lm)	LED4-TRMPLT-ECO-BK	Black snap trim
		4-ECO-V2	4000K (590 lm)	LED4-TRMPLT-ECO-N	Nickle snap trim
		5-ECO-V2	5000K (610 lm)	LED4-TRMPLT-ECO-BZ	Bronze snap trim

Specifications and dimensions subject to change without notice.