

BRK-LED61CN-GR 6" LED Gimbal Trims – Self Contained



Project:	
Type:	
Catalog #:	

STANDARD



FEATURES

- Available in 2700K, 3000k, 3500K, 4000K, and 5000k color temperatures.*
- Long-life LEDs provide at least 70% of initial lumen output (L_{70}) for 50,000 hours of operation.**
- Provides 900 nominal lumens.
- 11 nominal watts.
- Color rendering index (R_a) > 80.
- 120 AC voltage (50-60Hz) is standard.
- Power factor > 0.90.
- Dimmable down to 10% with most line voltage dimmers.
- Thermoplastic construction.
- Easy installation in new construction or retrofit applications. Equipped with torsion springs.
- Rated for insulated, non-insulated, and air-tight applications.
- Type IC. Access above ceiling required.
- Compatible with 5.75" ceiling cut-outs.
- This device is not intended for use with emergency exits.

WARRANTY & LISTINGS

- cETLus listed for damp locations.
- Energy Star qualified.
- Complies with FCC Part 15, class B.
- Complies with RoHS (Restriction on Hazardous Substances) requirements.
- 5-year warranty of all electronics and housing.

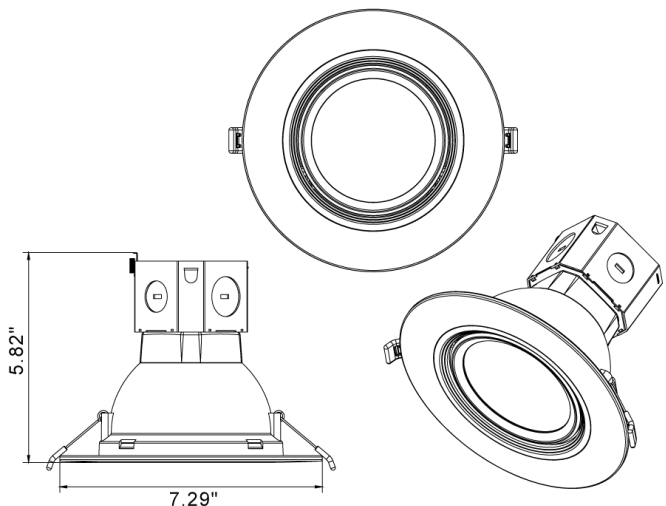
* Contact factory for other color temperatures and lumen packages.
 ** L_{70} hours are IES TM-21-11 calculated hours.



COMPATIBLE DIMMERS

MANUFACTURER & SERIES	PART NUMBER
Lutron Maestro C-L	MACL-153MR
Lutron Skylark C-L	SCL-153P
Leviton Sureslide	6674
Lutron	PD-6WCL
Legrand Harmony	HCL453PTCCCV6
Lutron Diva	DV600P
Lutron Diva	DVCL-153P

DIMENSIONS



ORDERING INFORMATION

Example: BRK-LED61CN-GR-11W-27K-ECO

Series	Trim Type		Watts	Color Temperature	
BRK-LED61CN	GR	Gimbal	11W	27K-ECO	2700K
				3K-ECO	3000K
				35K-ECO	3500K
				4K-ECO	4000K
				5K-ECO	5000K

Specifications and dimensions subject to change without notice.