

# BRK-LED8A 8" Architectural Downlight



Project:	
Type:	
Catalog #:	

## STANDARD



## FEATURES

- Available in 3000k, 3500k, 4000k, and 5000k color temperatures.\*
- Long-life LEDs provide at least 70% of initial lumen output ( $L_{70}$ ) for 50,000 hours of operation.\*\*
- 27W = 2,000 nominal lumens. 54W = 5,000 nominal lumens.
- Color rendering index ( $R_a$ ) > 80.
- 120-277 (50-60Hz) AC voltage is standard.
- Power factor > 0.90.
- 0-10V dimming.
- Thermoplastic and aluminum construction.
- Easy installation in new construction or remodel applications. Equipped with torsion springs and flexible conduit.
- Compatible with insulated, non-insulated, and air-tight ceilings.
- Compatible with 7" ceiling cut-outs and most 8" mounting frames.
- This device is not intended for use with emergency exits.

## WARRANTY & LISTINGS

- cETLus listed for wet locations (new construction).
- cETLus classified for wet locations (retrofit).
- Energy Star certified.
- Complies with FCC Part 15, class A.
- Complies with RoHS (Restriction on Hazardous Substances) requirements.
- 5-year warranty of all electronics and housing.

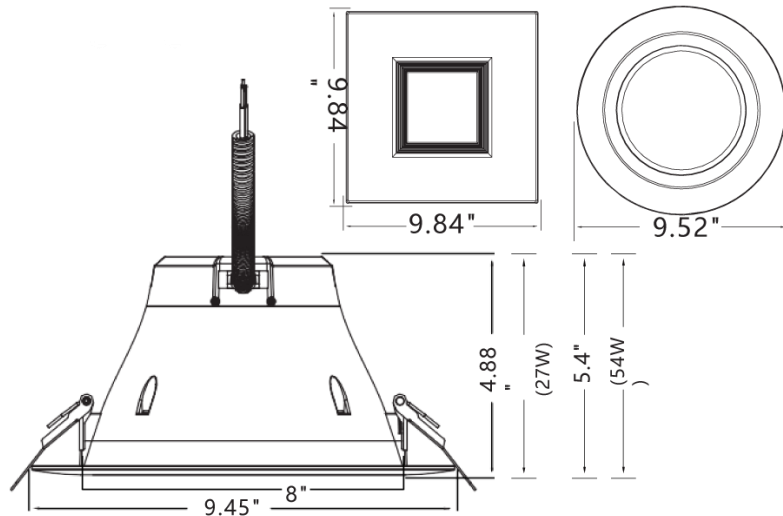
\* Contact factory for other color temperatures and lumen packages.  
 \*\*  $L_{70}$  hours are IES TM-21-11 calculated hours.



## COMPATIBLE DIMMERS

MANUFACTURER & SERIES	PART NUMBER
Sylvania	45167 (27W) 45561 (54W)
Leviton Decora	IP710-LFZ
Lutron Diva	DVSTV-WH
Cooper	DF10P-C1
Lutron Diva	MS-Z101-WH

## DIMENSIONS



## ORDERING INFORMATION

Example: BRK-LED8A-BW-54W-4K-ECO-V2

Series	Trim Type & Watts	Color Temperature	Accessories (Order Separately)
BRK-LED8A	BW-27W Baffle 27 watts	35K-ECO 4K-ECO 5K-ECO	LED8A-TRMPLT-ECO-SQ LED8A-TRMPLT-ECO-SPWHT BL8CLED-ND
	BW-54W Baffle 54 watts	3K-ECO-V2 4K-ECO-V2 5K-ECO-V2	3000K 4000K 5000K

Specifications and dimensions subject to change without notice.