

# CYL-UPDN

## Up/Down Cylinder Luminaire



Project:	
Type:	
Catalog #:	

### STANDARD



### FEATURES

- Available in 3000k (warm white), 4000k (neutral white), and 5000k (cool white) color temperatures.\*
- Long-life LEDs provide up to 153,000 hours of operation with at least 70% of initial lumen output ( $L_{70}$ ).\*\*
- CYL-UPDN provides a range of 2,446 to 2,509 nominal lumens and 82 lumens per watt (lm/W).\*
- Internal switch allows a choice of down light or up/down light.
- 120 AC voltage (50/60Hz) is standard.
- Power factor  $\geq 0.90$ .
- Color rendering index  $\geq 80$ .
- Aluminum housing and glass lenses.
- Dark bronze power coat finish.
- Easy installation in new construction or retrofit.

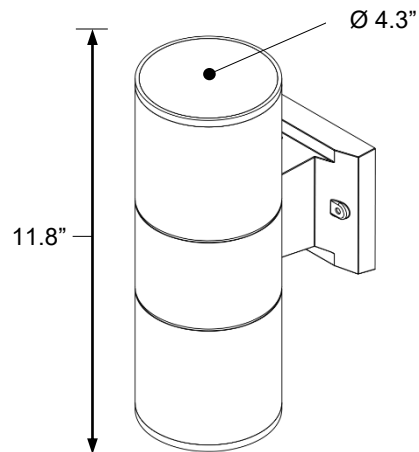
\* Contact factory for other color temperatures and lumen packages.  
 \*\*  $L_{70}$  hours are IES TM-21-11 calculated hours.



### WARRANTY & LISTINGS

- cETLus listed for wet locations.
- Energy Star qualified.
- Complies with FCC Part 15, Class B.
- Complies with EN61000-4-5, surge immunity protection (1kV).
- RoHS compliant.
- 5-year warranty of all electronics and housing.

### DIMENSIONS



Diameter	Height	Weight
4.3"	11.8"	2.7 lbs.

### ORDERING INFORMATION

Example: CYL-UPDN-2L-3K-120V

Series	Nominal Lumen Output		Color Temperature		Voltage	
	CYL-UPDN	2L	2,000 lumens	3K	3000k	120V
			4K	4000k		
			5K	5000k		

Specifications and dimensions subject to change without notice.

### ELECTRICAL DATA

Model	Color Temp.	CRI <sup>1</sup>	Luminaire Lumens	Luminaire Watts	Lumens Per Watt	Input Voltage	Input Current (A)			Power Factor	THD <sup>2</sup>	L <sub>70</sub> Hours <sup>3</sup>
							120V	240V	277V			
CYL-UPDN-2L-3K-120V	3000k	> 80	2,446	30	82	120V	0.25	N/A	N/A	> 90%	< 50%	153,000
CYL-UPDN-2L-4K-120V	4000k	> 80	2,467	30	82	120V	0.25	N/A	N/A	> 90%	< 50%	153,000
CYL-UPDN-2L-5K-120V	5000k	> 80	2,509	30	82	120V	0.25	N/A	N/A	> 90%	< 50%	156,000

<sup>1</sup> Color rendering index

<sup>2</sup> Total harmonic distortion

<sup>3</sup> L<sub>70</sub> refers to the number of hours at which lumen output declines to 70% of the initial level. L<sub>70</sub> hours are IES TM-21-11 calculated hours.

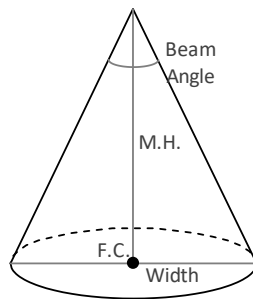
### PHOTOMETRIC DATA

#### CYL-UPDN-2L-5K-120V

##### Luminaire Data

Description	Up/Down Cylinder, 3K
Total Lumens	2,509
Input Wattage	30
Efficacy (lm/W)	82
Beam Angle	H=45.1, V=45.1
Field Angle	H=86.9, V=86.9

##### Cone of Light



##### Candela Table (lm)

0°	1,746
10°	1,512
20°	997
30°	589
40°	277
50°	22
60°	6
70°	4
80°	4
90°	0
100°	4
110°	4
120°	6
130°	22
140°	277
150°	589
160°	997
170°	1,512
180°	1,746

##### Zonal Lumen Summary

Zone	Lumens	%Fixt
0-20°	506	20.2%
0-30°	858	34.2%
0-40°	1,131	45.1%
0-60°	1,243	49.6%
0-80°	1,253	49.9%
0-90°	1,254	50.0%
90-180°	1,254	50.0%
0-180°	2,509	100.0%

M.H.	F.C.	Width
4'	109	3.3'
6'	48	5.0'
8'	27	6.6'
10'	17	8.3'
12'	12	10.0'
14'	9	11.6'
16'	7	13.3'

##### Polar Graph

