

LED-FRP-WH LED Flat Downlight – Round



Project:	
Type:	
Catalog #:	

STANDARD



FEATURES

- Available in 3000k (warm white), 4000k (neutral white), and 5000k (cool white) color temperatures.
- Long-life LEDs provide at least 70% of initial lumen output (L_{70}) for 50,000 hours of operation.**
- LED-FRP-WH4 provides 500 nominal lumens and LED-FRP-WH6 provides 800 nominal lumens.
- LED-FRP-WH4 = 10 nominal watts and LED-FRP-WH6 = 15 nominal watts.
- Color rendering index (R_a) > 90.
- 120V (50-60Hz) is standard.
- Power factor ≥ 0.90 .
- Total harmonic distortion < 20%.
- Dimmable down to 10% with most line voltage dimmers (120V only).
- Painted steel housing.
- Easy installation in new construction or remodel applications. Equipped with torsion springs.
- For use with insulated ceilings (Type IC).
- Compatible with 4.38"-6.5" ceiling cut-outs.
- This device is not intended for use with emergency exits.

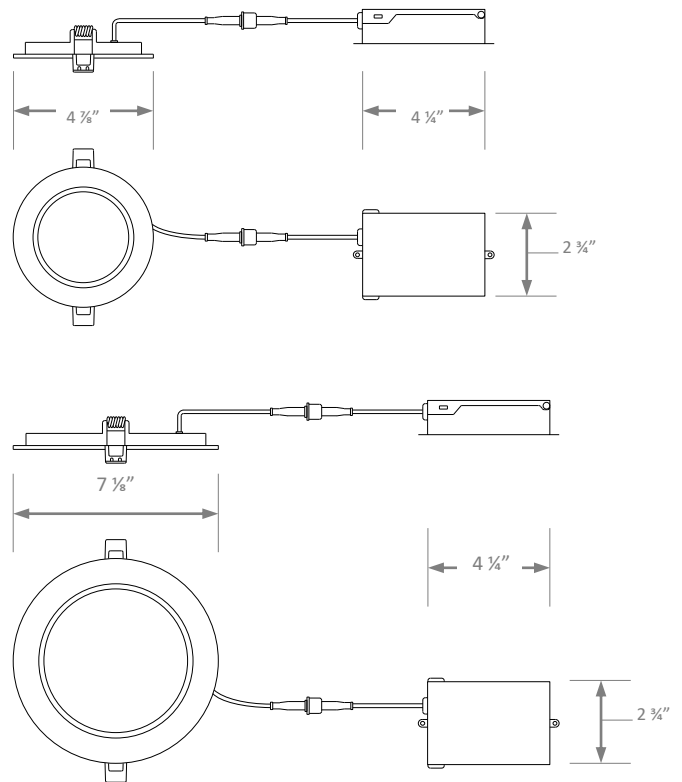
WARRANTY & LISTINGS

- cULus listed for wet locations.
- Energy Star qualified.
- Complies with FCC Part 15, class A.
- Complies with RoHS (Restriction on Hazardous Substances) requirements.
- 5-year warranty of all electronics and housing.

* Contact factory for other color temperatures and lumen packages.
 ** L_{70} hours are IES TM-21-11 calculated hours.



DIMENSIONS



See next page for housings.

ORDERING INFORMATION

Example: LED-FRP-WH6-5K

Series	Size	Color Temperature	Accessories (Order Separately)
LED-FRP	WH4	4"	3K 3000K
	WH6	6"	4K 4000K
			5K 5000K
			BL4FRP-MP 4" mounting plate - round
			BL6FRP-MP 6" mounting plate - round

Specifications and dimensions subject to change without notice.

LED-FRP-WH LED Flat Downlight – Round



DIMENSIONS – MOUNTING PLATES

