

# LED-DDAL 50 Watt LED Dusk-to-Dawn Security / Flood



Project:	
Type:	
Catalog #:	

## STANDARD



The LED-DDAL dusk-to-dawn security/flood light is an ideal solution for general site and flood lighting in commercial and residential settings. With a die cast aluminum housing and a fluted, polycarbonate lens shield to reduce glare, the LED-DDAL provides effective, economical security lighting. High-efficacy, long-life LEDs provide both energy and maintenance cost savings compared to traditional, incandescent and HID security/flood lights.

## FEATURES

- Available in 5000k (cool white) color temperature.\*
- Long-life LEDs provide 55,000 hours of operation with at least 70% of initial lumen output (L<sub>70</sub>).\*\*
- Delivers 5,027 lumens and 99 lumens per watt.\*
- Universal 120-277 AC voltage (50-60Hz) is standard.
- Power factor > 0.90.
- Total harmonic distortion < 20%.
- Color rendering index > 80.
- Die cast aluminum housing.
- Fluted, polycarbonate lens shield to reduce glare.
- NEMA-type photocell and mounting arm are included.
- Easy installation in new construction or retrofit.



NEMA-Type Photocell

\* Contact factory for other color temperatures and lumen packages.  
 \*\* L<sub>70</sub> hours are IES TM-21-11 calculated hours.



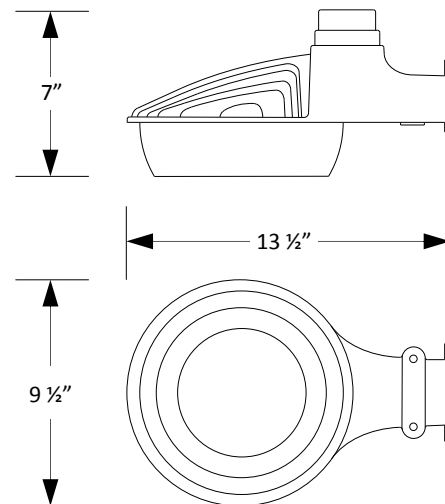
## WARRANTY & LISTINGS

- cULus listed for wet locations (-20°C to 40°C / -4°F to 104°F).
- Complies with FCC Part 15, Class B.
- 5-year warranty on all electronics and housing.

## MOUNTING OPTIONS

- Wall-mount attachment is standard.
- Extruded aluminum extension arm (15" height, 13" width, 1 5/8" diameter) is also standard.

## DIMENSIONS



## ORDERING INFORMATION

Model	Luminaire Watts	Luminaire Lumens	Lumens Per Watt	Color Temperature
LED-DDAL50W-5K	51	5,027	99	5K = 5000k

Specifications and dimensions subject to change without notice.

# LED-DDAL 50 Watt LED Dusk-to-Dawn Security / Flood



## ELECTRICAL

Model	Color Temperature	CRI <sup>1</sup>	Luminaire Lumens	Luminaire Watts	Lumens Per Watt	Input Voltage	Input Current (A)			Power Factor	THD <sup>2</sup>	L <sub>70</sub> Hours <sup>3</sup>
							120V	240V	277V			
LED-DDAL50W-5K	5000k	> 80	5,027	51	99	120-277 (50-60Hz)	0.43	0.21	0.18	> 90%	< 20%	55,000

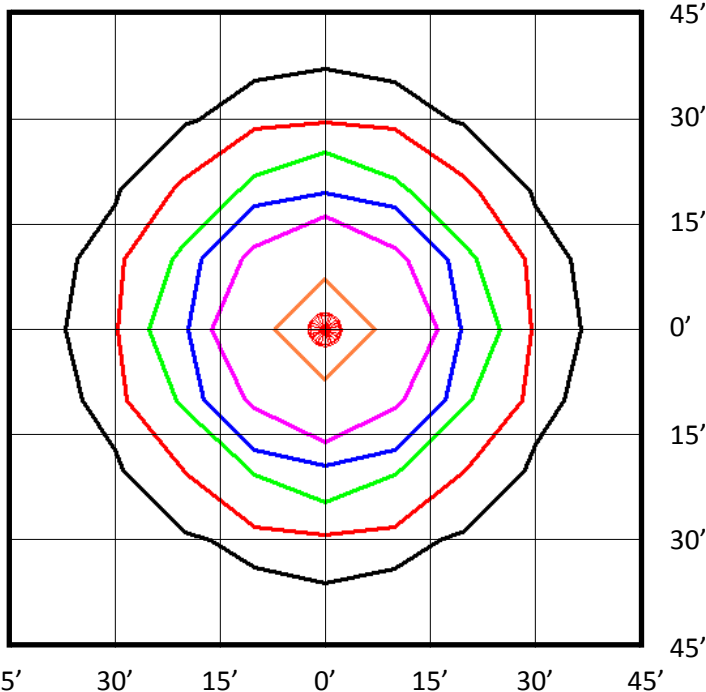
<sup>1</sup> Color rendering index

<sup>2</sup> Total harmonic distortion

<sup>3</sup> L<sub>70</sub> refers to the number of hours at which lumen output declines to 70% of the initial level. L<sub>70</sub> hours are IES TM-21-11 calculated hours.

## PHOTOMETRIC DATA

### LED-DDAL50W-5K (5,027 Lumens)



### BUG Rating: B2-U2-G1

Zone	Lumens	%
FL - Front - Low (0-30)	728	14%
FM - Front - Medium (30-60)	1,299	26%
FH - Front - High (60-80)	361	7%
FVH - Front - Very High (80-90)	86	2%
<b>Total Forward Light</b>	<b>2,474</b>	<b>49%</b>
BL - Back - Low (0-30)	732	15%
BM - Back - Medium (30-60)	1,314	26%
BH - Back - High (60-80)	368	7%
BVH - Back - Very High (80-90)	88	2%
<b>Total Back Light</b>	<b>2,501</b>	<b>50%</b>
UL - Up Light - Low (90-100)	29	1%
UH - Up Light - High (100-180)	23	0%
<b>Total Up Light</b>	<b>52</b>	<b>1%</b>
<b>Total Lumens</b>	<b>5,027</b>	<b>100%</b>

#### Foot Candles

- 5.0
- 2.0
- 1.0
- 0.5
- 0.2
- 0.1

#### Notes:

- Isofootcandle plots depict initial footcandles at grade.
- Gridlines represent units of mounting height of 15 feet.