

# LEDCORN 30–150W LED Corn Lamps



Project:	
Type:	
Catalog #:	

## STANDARD



## FEATURES

- Available in 5000k (cool white) color temperature.\*
- Long-life LEDs provide at least 183,000 hours of operation with at least 70% of initial lumen output ( $L_{70}$ ).\*\*
- LEDCORN30-5K provides 3,373 lumens and 109 lumens per watt, (LPW).\*
- LEDCORN60-5K provides 6,473 lumens and 112 LPW.\*
- LEDCORN100-5K provides 11,462 lumens and 115 LPW.\*
- LEDCORN150-5K provides 17,592 lumens and 119 LPW.\*
- Universal 120-277 AC voltage (50-60Hz) is standard.
- Power factor > 0.90.
- Total harmonic distortion < 20%.
- Color rendering index > 80.
- Mogul (E39) base socket is standard. For applications requiring medium (E26) base sockets, a socket adapter is required. E39 to E26 socket adapter part number = SKTADPTR-E39TOE26
- Easy installation in new construction or retrofit.

\* Contact factory for other color temperatures and lumen packages.

\*\*  $L_{70}$  hours are IES TM-21-11 calculated hours.



## WARRANTY & LISTINGS

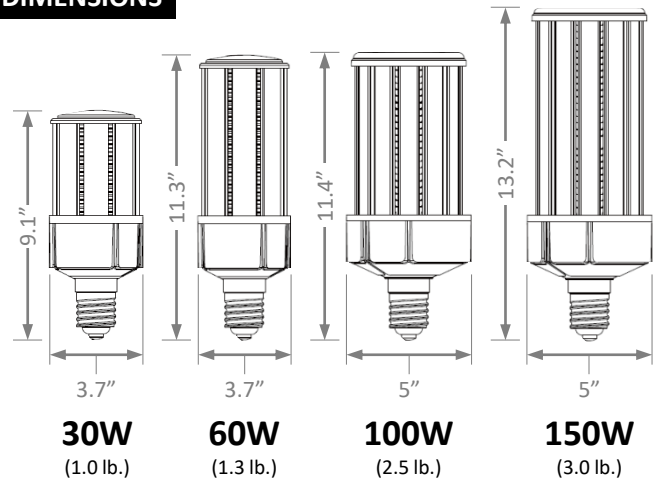
- cULus listed for damp locations.
- DLC standard approved.
- Flicker-free per IEEE1789-2015 (no observable adverse effects of flicker at 100% light output level).
- Complies with EN61000-4-5, surge immunity protection (4kV).
- 5-year warranty of all electronics and housing.

## MINIMUM ENCLOSURE DIMENSIONS

LED corn lamps can be used in enclosed luminaires with the following minimum internal cavity sizes.

30W	60W	100W	150W
15" x 8" x 8"	17" x 8" x 8"	17" x 9" x 9"	19" x 11" x 11"

## DIMENSIONS



## ORDERING INFORMATION

Example: LEDCORN100-5K

Model	Color Temperature	Accessories (order separately)
LEDCORN30	5K   5,000k	SKTADPTR-E39TOE26   Mogul (E39) to medium (E26) socket adapter
LEDCORN60		
LEDCORN100		
LEDCORN150		

Specifications and dimensions subject to change without notice.

# LEDCORN 30–150W LED Corn Lamps



## ELECTRICAL DATA

Model	Color Temperature	CRI <sup>1</sup>	Luminaire Lumens	Luminaire Watts	Lumens/Watt	Input Voltage <sup>2</sup>	Input Current (A)			Power Factor	THD <sup>3</sup>	L <sub>70</sub> Hours <sup>4</sup>
							120V	240V	277V			
LEDCORN30-5K	5000k	>80	3,373	31	109	120-277	0.26	0.13	0.11	>90%	<20%	203,000
LEDCORN60-5K	5000k	>80	6,473	58	112	120-277	0.48	0.24	0.21	>90%	<20%	197,000
LEDCORN100-5K	5000k	>80	11,462	100	115	120-277	0.83	0.42	0.36	>90%	<20%	191,000
LEDCORN150-5K	5000k	>80	17,592	148	119	120-277	1.23	0.62	0.53	>90%	<20%	183,000

<sup>1</sup> Color rendering index.

<sup>2</sup> All 50-60Hz.

<sup>3</sup> Total harmonic distortion.

<sup>4</sup> L<sub>70</sub> refers to the number of hours at which lumen output declines to 70% of the initial level. L<sub>70</sub> hours are IES TM-21-11 calculated hours.

## PHOTOMETRIC DATA\*

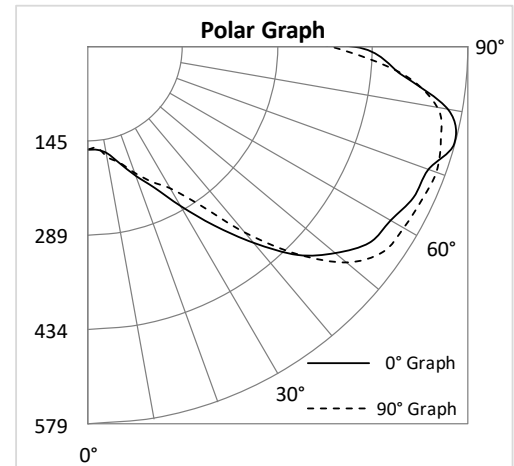
### LEDCORN30-5K

#### Luminaire Data

Description	Corn Lamp 30W, 5K
Total Lumens	3,373
Input Wattage	31
Efficacy (lm/W)	109
Spacing Criterion (0-180°)	3.2
Spacing Criterion (90-270°)	3.28

#### Zonal Lumen Summary

Zone	Lumens	%Fixt
0-20°	69	2.1%
0-30°	181	5.4%
0-40°	392	11.6%
20-50°	677	20.1%
40-70°	1,391	41.2%
0-60°	1,228	36.4%
0-80°	2,379	70.5%
0-90°	2,900	86.0%
90-180°	473	14.0%
0-180°	3,373	100.0%



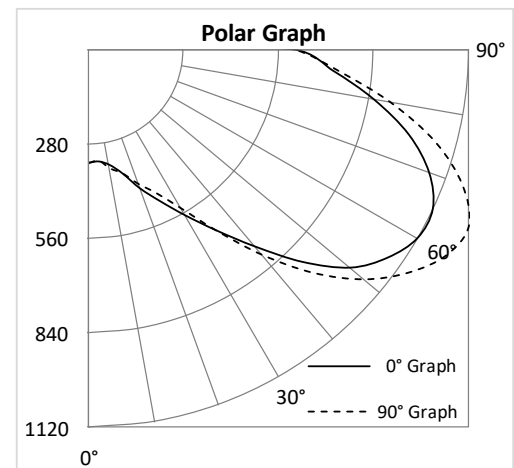
### LEDCORN60-5K

#### Luminaire Data

Description	Corn Lamp 60W, 5K
Total Lumens	6,473
Input Wattage	58
Efficacy (lm/W)	112
Spacing Criterion (0-180°)	3.18
Spacing Criterion (90-270°)	3.32

#### Zonal Lumen Summary

Zone	Lumens	%Fixt
0-20°	145	2.2%
0-30°	386	6.0%
0-40°	837	12.9%
20-50°	1,442	22.3%
40-70°	2,939	45.4%
0-60°	2,622	40.5%
0-80°	4,833	74.7%
0-90°	5,631	87.0%
90-180°	842	13.0%
0-180°	6,473	100.0%



## PHOTOMETRIC DATA \*

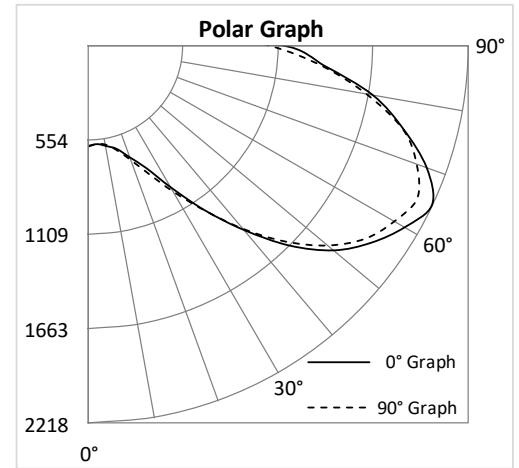
### LEDCORN100-5K

#### Luminaire Data

Description	Corn Lamp 100W, 5K
Total Lumens	11,462
Input Wattage	100
Efficacy (lm/W)	115
Spacing Criterion (0-180°)	3.3
Spacing Criterion (90-270°)	3.26

#### Zonal Lumen Summary

Zone	Lumens	%Fixt
0-20°	240	2.1%
0-30°	644	5.6%
0-40°	1,431	12.5%
20-50°	2,499	21.8%
40-70°	5,220	45.5%
0-60°	4,548	39.7%
0-80°	8,614	75.2%
0-90°	10,078	87.9%
90-180°	1,384	12.1%
0-180°	11,462	100.0%



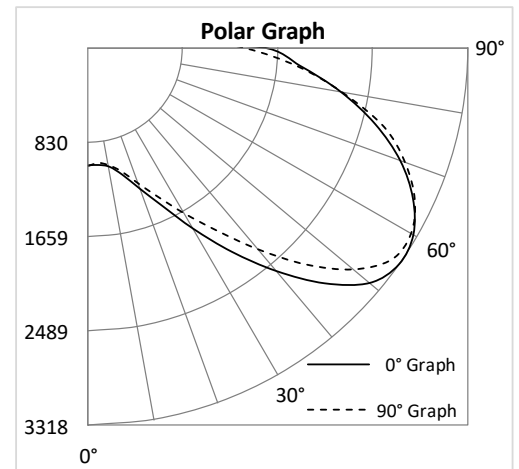
### LEDCORN150-5K

#### Luminaire Data

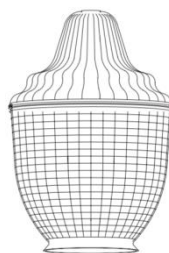
Description	Corn Lamp 150W, 5K
Total Lumens	17,592
Input Wattage	148
Efficacy (lm/W)	119
Spacing Criterion (0-180°)	3.14
Spacing Criterion (90-270°)	3.12

#### Zonal Lumen Summary

Zone	Lumens	%Fixt
0-20°	437	2.5%
0-30°	1,170	6.7%
0-40°	2,553	14.5%
20-50°	4,372	24.9%
40-70°	8,274	47.0%
0-60°	7,756	44.1%
0-80°	13,553	77.0%
0-90°	15,528	88.3%
90-180°	2,064	11.7%
0-180°	17,592	100.0%



\*Note: All photometric data was developed with LED corn lamps installed in Lexalite Lindy glass acorn refractors (model 424). Photometric performance for LED corn lamps installed in other luminaires will differ.



Lexalite  
Lindy 424