

LEDMPALPRO80-140 80-140 Watt, Premium Multi-Purpose LED Area Luminaire



Project:	
Type:	
Catalog #:	



STANDARD



FEATURES

- Available in 4000k (neutral white) and 5000k (cool white) color temperatures.*
- Long-life LEDs provide up to 372,000 hours of operation with at least 70% of initial lumen output (L₇₀).**
- Available models provide from 9,816 to 17,863 lumens, and from 117 to 129 lumens per watt (LPW).*
- IES roadway photometric distributions include types III & V.
- Universal 120-277 AC voltage (50-60Hz) is standard. Universal 347-480V AC voltage (50-60Hz) – 140W model only.
- 0-10vdc dimming capability is standard.
- Power factor > 90.
- Total harmonic distortion < 20%.
- Color rendering index > 80.
- Optional glare shields (full & half) & wire guards are available.
- Optional factory NEMA photocell receptacle installation.
- Die cast aluminum housing with durable, dark bronze powder coat finish.
- Driver enclosure is sealed with a water-tight, silicon rubber gasket.
- Easy installation in new construction or retrofit applications.

* Contact factory for other color temperatures and lumen packages.
** L70 hours are IES TM-21-11 calculated hours.

WARRANTY & LISTINGS

- cULus listed for wet locations in ambient temperatures from -20°C to 45°C (-4°F to 113°F).
- IP66 rated for ingress protection.
- DLC premium approved.
- Flicker-free per IEEE1789-2015 (no observable adverse effects of flicker at 100% light output level).
- Rated for 3G vibration.
- Lens is IK 9 rated for protection from external impacts.
- Salt fog tested for 1,000 hours (ASTM B117). After salt fog testing, paint rated at 9 per ASTM D1654-05 scratch test.
- Complies with FCC Part 15, class B.
- Complies with EN61000-4-5, surge immunity protection (6kV).
- 5-year warranty of all electronics and housing.

Note: 120-277V models also available in roadway types 2 & 4 as well as NEMA flood 3H3V, 4H4V, 5H5V, & 7H7V. Consult factory for details.

Note: 347-480V models are also available in the distributions listed above but are not DLC qualified.

ORDERING INFORMATION

Example: LEDMPALPRO80-4K-T3-UNC-P

Series	Color Temperature		Distribution		Voltage ¹		Photocell Receptacle ²		Mounting Options (Order 1 Separately)	
	4K	4000k	T3	Type III	UNC	347-480V	P	NEMA photocell receptacle	LEDMPALPRO-YK-S	Yoke Bracket, 80-140W
LEDMPALPRO100	5K	5000k	T5	Type V	Blank	120-277V	Blank	No receptacle	LEDMPALPRO-TR	Trunnion Bracket, 80-300W
LEDMPALPRO140									LEDMPALPRO-ARM	Arm Bracket, 80-300W
									LEDMPALPRO-SF	Slip-Fitter Bracket, 80-300W
									JL-205C23-IP65	NEMA Photocell

¹ 347-480V available for 140W model only.

² Ships with shorting cap.

Specifications and dimensions subject to change without notice.

LEDMPALPRO80-140 80-140 Watt, Premium Multi-Purpose LED Area Luminaire



ELECTRICAL DATA

Model	Color Temp.	CRI ¹	Luminaire Lumens	Luminaire Watts	Lumens Per Watt	Input Voltage ²	Input Current (A)			Power Factor	THD ³	L ₇₀ Hours ⁴
							120V	240V 347V	277V 480V			
LEDMPALPRO80-4K-T3	4000k	> 80	10,439	83	126	120-277	0.69	0.35	0.30	> 90%	< 20%	372,000
LEDMPALPRO80-5K-T3	5000k	> 80	10,613	83	129	120-277	0.69	0.35	0.30	> 90%	< 20%	372,000
LEDMPALPRO80-4K-T5	4000k	> 80	9,816	80	122	120-277	0.67	0.33	0.29	> 90%	< 20%	372,000
LEDMPALPRO80-5K-T5	5000k	> 80	10,008	80	125	120-277	0.67	0.33	0.29	> 90%	< 20%	372,000
LEDMPALPRO100-4K-T3	4000k	> 80	12,521	102	123	120-277	0.85	0.43	0.37	> 90%	< 20%	372,000
LEDMPALPRO100-5K-T3	5000k	> 80	12,673	102	124	120-277	0.85	0.43	0.37	> 90%	< 20%	372,000
LEDMPALPRO100-4K-T5	4000k	> 80	11,834	100	119	120-277	0.83	0.42	0.36	> 90%	< 20%	372,000
LEDMPALPRO100-5K-T5	5000k	> 80	12,084	100	121	120-277	0.83	0.42	0.36	> 90%	< 20%	372,000
LEDMPALPRO140-4K-T3	4000k	> 80	17,176	139	123	120-277	1.16	0.58	0.50	> 90%	< 20%	372,000
LEDMPALPRO140-5K-T3	5000k	> 80	17,338	139	124	120-277	1.16	0.58	0.50	> 90%	< 20%	372,000
LEDMPALPRO140-4K-T5	4000k	> 80	16,438	140	117	120-277	1.17	0.58	0.51	> 90%	< 20%	372,000
LEDMPALPRO140-5K-T5	5000k	> 80	16,687	141	119	120-277	1.18	0.59	0.51	> 90%	< 20%	372,000
LEDMPALPRO140-4K-T3-UNC	4000k	> 80	17,417	140	125	347-480	N/A	0.40	0.29	> 90%	< 20%	131,000
LEDMPALPRO140-5K-T3-UNC	5000k	> 80	17,863	140	128	347-480	N/A	0.40	0.29	> 90%	< 20%	131,000
LEDMPALPRO140-4K-T5-UNC	4000k	> 80	17,040	140	122	347-480	N/A	0.40	0.29	> 90%	< 20%	131,000
LEDMPALPRO140-5K-T5-UNC	5000k	> 80	17,485	140	125	347-480	N/A	0.40	0.29	> 90%	< 20%	131,000

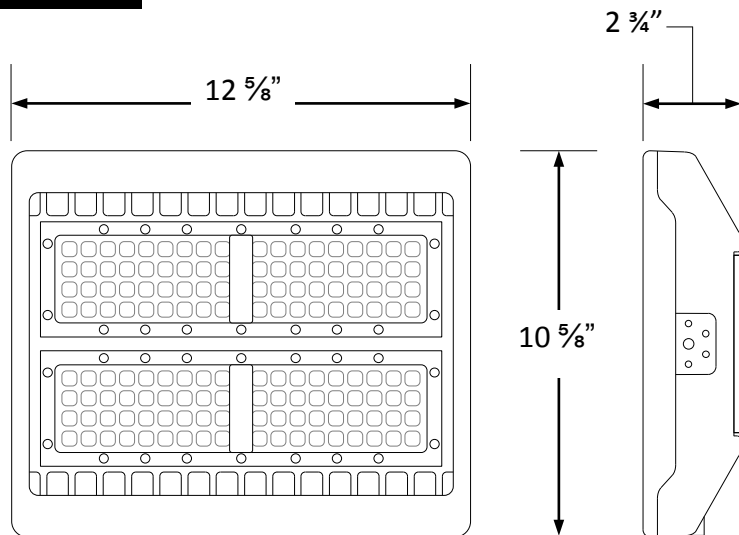
¹ Color rendering index.

² All 50-60Hz.

³ Total harmonic distortion.

⁴ L₇₀ refers to the number of hours at which lumen output declines to 70% of the initial level. L₇₀ hours are IES TM-21-11 calculated hours.

DIMENSIONS



EFFECTIVE PROJECTED AREAS (EPA's)

80W, 100W, 140W

Front = 0.24 square feet

Side = 0.29 square feet

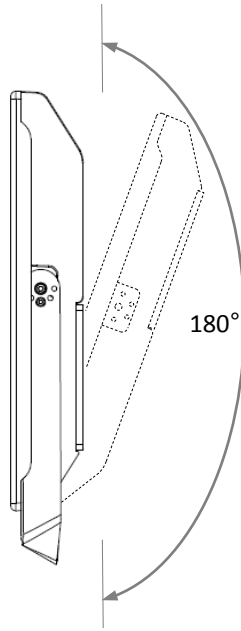
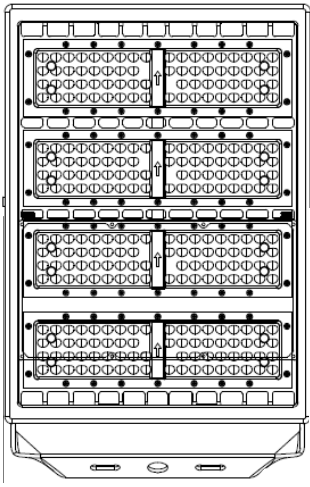
Face = 1.10 square feet

Model	Voltage	Weight
80W	120-277V	8.4 lbs.
100W	120-277V	8.6 lbs.
140W	120-277V	8.8 lbs.
140W	347-480V	9.3 lbs.

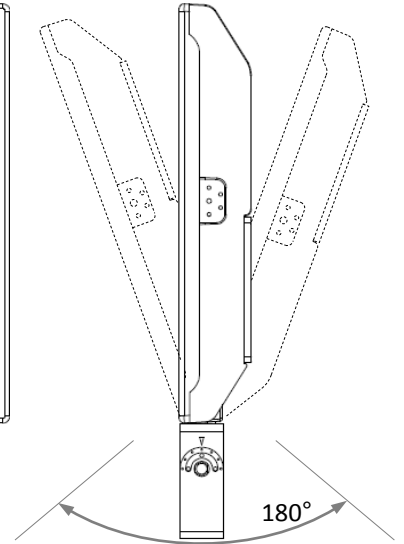
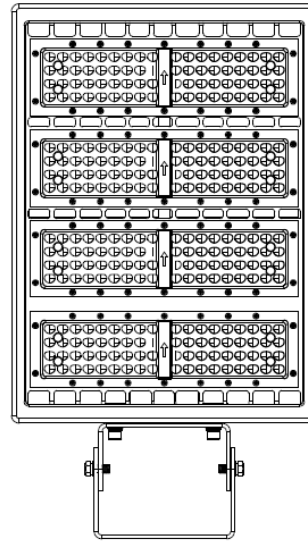
LEDMPALPRO80-140 80-140 Watt, Premium Multi-Purpose LED Area Luminaire



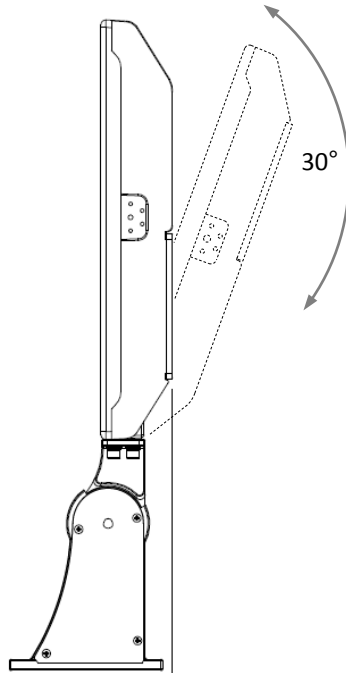
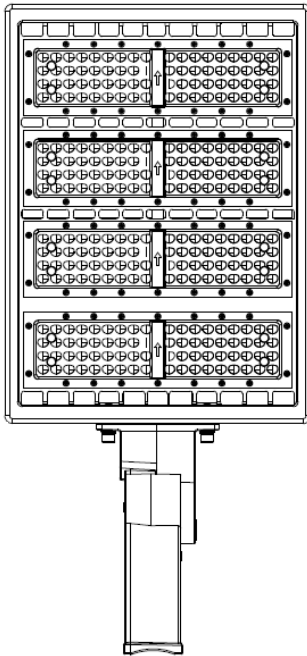
MOUNTING ACCESSORIES



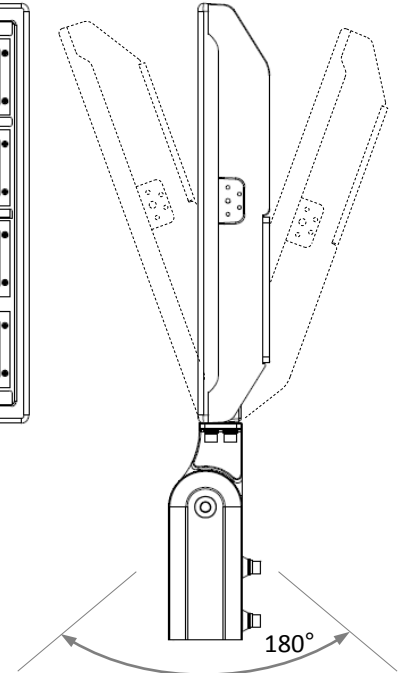
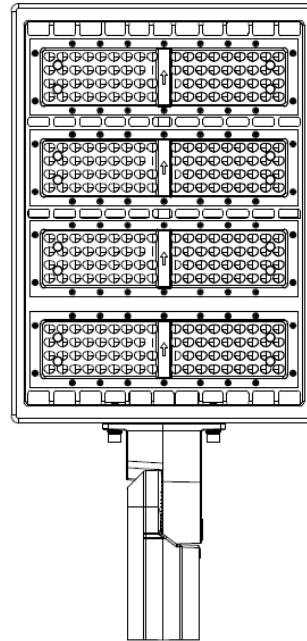
Yoke Mount
LEDMPALPRO-YK-S



Trunnion Mount
LEDMPALPRO-TR



Adjustable Arm Mount
LEDMPALPRO-ARM



Slip-Fitter Mount
LEDMPALPRO-SF

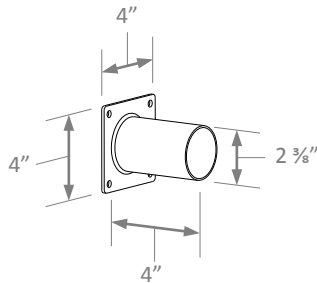
LEDMPALPRO80-140 80-140 Watt, Premium Multi-Purpose LED Area Luminaire



MOUNTING ACCESSORIES

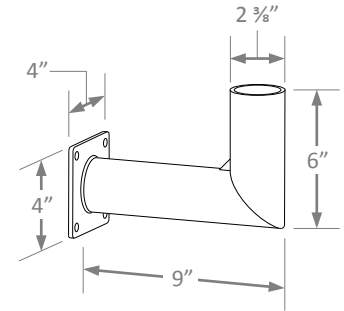
Wall Mount Bracket

LEDMPALPRO-WMB



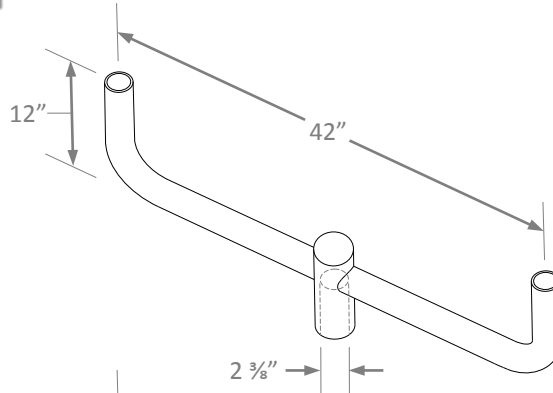
Wall Mount Bracket, 90°

LEDMPALPRO-WMB90



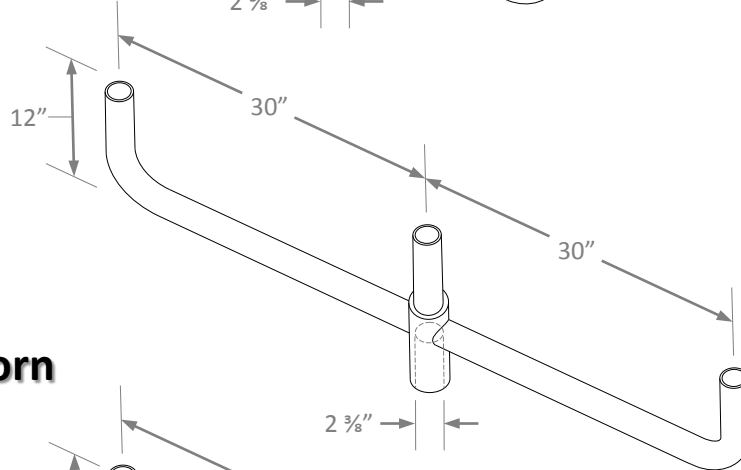
Double 180° Bullhorn Mounting Bracket

LEDMPALPRO-D180BH



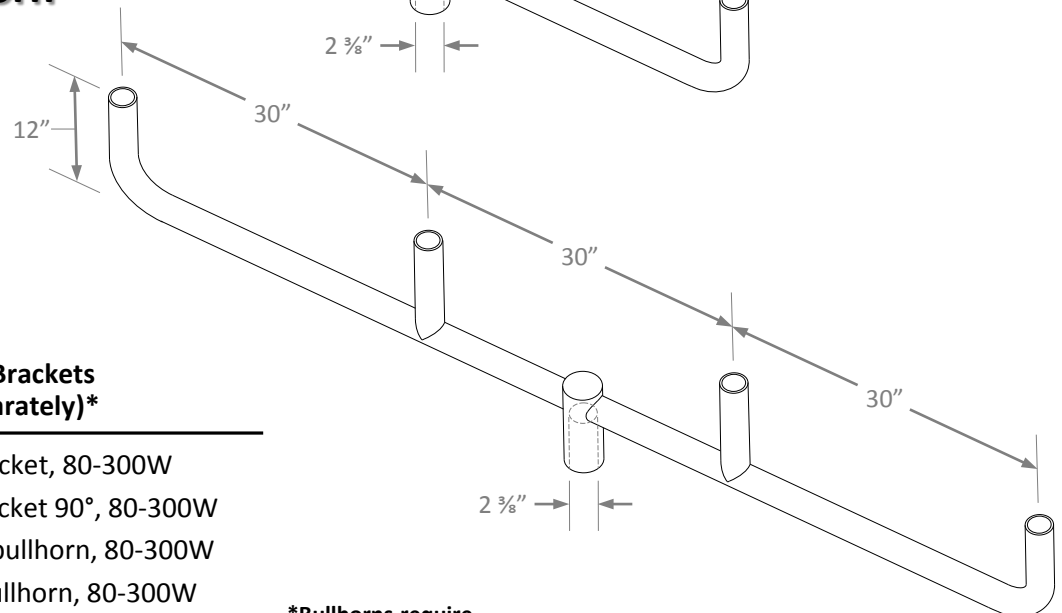
Triple 180° Bullhorn Mounting Bracket

LEDMPALPRO-T180BH



Quadruple 180° Bullhorn Mounting Bracket

LEDMPALPRO-Q180BH



Mounting Brackets (Order Separately)*

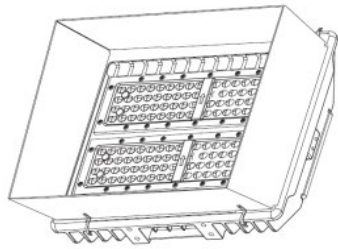
LEDMPALPRO-WMB	Wall Bracket, 80-300W
LEDMPALPRO-WMB90	Wall bracket 90°, 80-300W
LEDMPALPRO-D180BH	Double bullhorn, 80-300W
LEDMPALPRO-T180BH	Triple bullhorn, 80-300W
LEDMPALPRO-Q180BH	Quadruple bullhorn, 80-300W

*Bullhorns require slip-fitter mount

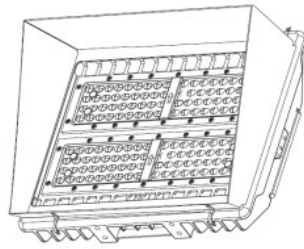
LEDMPALPRO80-140 80-140 Watt, Premium Multi-Purpose LED Area Luminaire



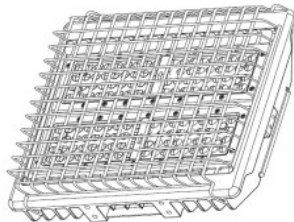
SHIELDS, WIRE GUARDS & NEMA PHOTOCELL INSTALLATION



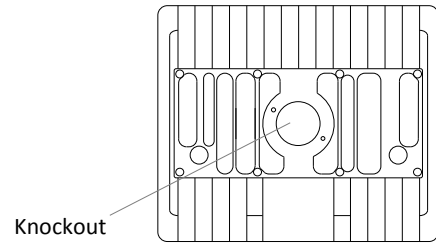
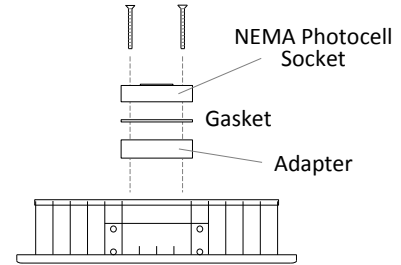
Full Shield



Half Shield



Wire Guard
Can be used in conjunction with shields



Factory Installed NEMA Photocell Receptacle

Accessories (Order Separately)

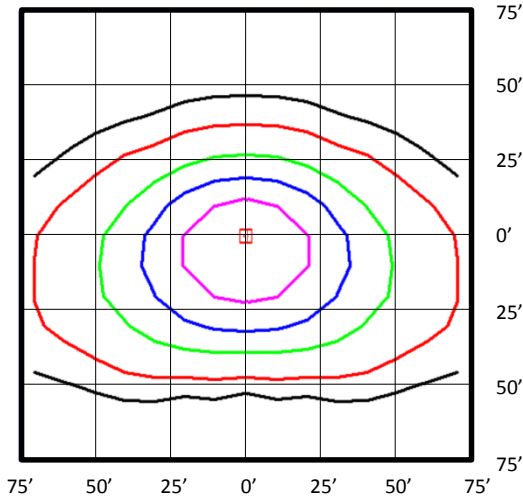
LEDMPALPRO-FGS-S	Full Glare Shield, 80-140W
LEDMPALPRO-HGS-S	Half Glare Shield, 80-140W
LEDMPALPRO-WG-S	Wire Guard, 80-140W

LEDMPALPRO80-140 80-140 Watt, Premium Multi-Purpose LED Area Luminaire



PHOTOMETRIC DATA – IES Roadway Distributions

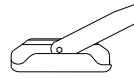
LEDMPALPRO80-4K-T3 (10,439 Lumens, Type III Distribution)



Foot Candles

- 5.0
- 2.0
- 1.0
- 0.5
- 0.2
- 0.1

Luminaire Orientation:



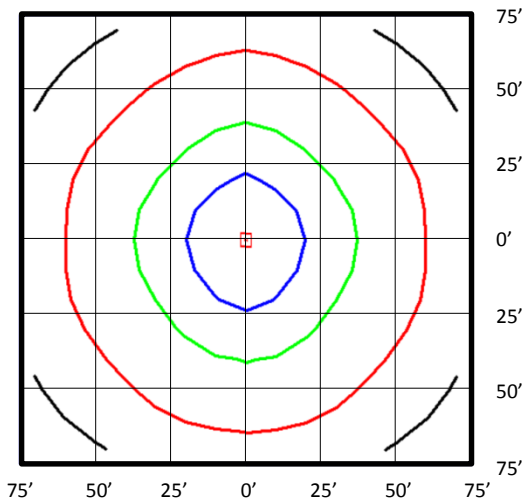
Notes:

- Isofootcandle plots depict initial footcandles at grade.
- Gridlines represent units of mounting height of 25 feet.

BUG Rating: B2-U0-G2

Zone	Lumens	%
FL - Front - Low (0-30)	1,196	11%
FM - Front - Medium (30-60)	3,384	32%
FH - Front - High (60-80)	1,952	19%
FVH - Front - Very High (80-90)	136	1%
Total Forward Light	6,668	64%
BL - Back - Low (0-30)	913	9%
BM - Back - Medium (30-60)	1,801	17%
BH - Back - High (60-80)	990	9%
BVH - Back - Very High (80-90)	67	1%
Total Back Light	3,771	36%
UL - Up Light - Low (90-100)	0	0%
UH - Up Light - High (100-180)	0	0%
Total Up Light	0	0%
Total Lumens	10,439	100%

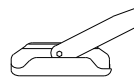
LEDMPALPRO80-4K-T5 (9,816 Lumens, Type V Distribution)



Foot Candles

- 5.0
- 2.0
- 1.0
- 0.5
- 0.2
- 0.1

Luminaire Orientation:



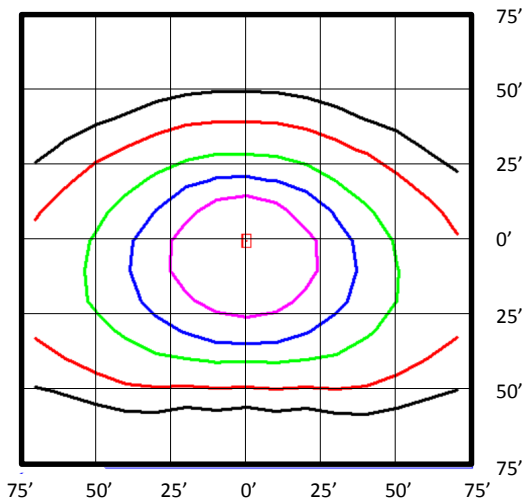
Notes:

- Isofootcandle plots depict initial footcandles at grade.
- Gridlines represent units of mounting height of 25 feet.

BUG Rating: B3-U0-G3

Zone	Lumens	%
FL - Front - Low (0-30)	456	5%
FM - Front - Medium (30-60)	1,929	20%
FH - Front - High (60-80)	2,319	24%
FVH - Front - Very High (80-90)	266	3%
Total Forward Light	4,970	51%
BL - Back - Low (0-30)	449	5%
BM - Back - Medium (30-60)	1,852	19%
BH - Back - High (60-80)	2,250	23%
BVH - Back - Very High (80-90)	295	3%
Total Back Light	4,846	49%
UL - Up Light - Low (90-100)	0	0%
UH - Up Light - High (100-180)	0	0%
Total Up Light	0	0%
Total Lumens	9,816	100%

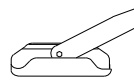
LEDMPALPRO100-4K-T3 (12,521 Lumens, Type III Distribution)



Foot Candles

- 5.0
- 2.0
- 1.0
- 0.5
- 0.2
- 0.1

Luminaire Orientation:



Notes:

- Isofootcandle plots depict initial footcandles at grade.
- Gridlines represent units of mounting height of 25 feet.

BUG Rating: B3-U0-G3

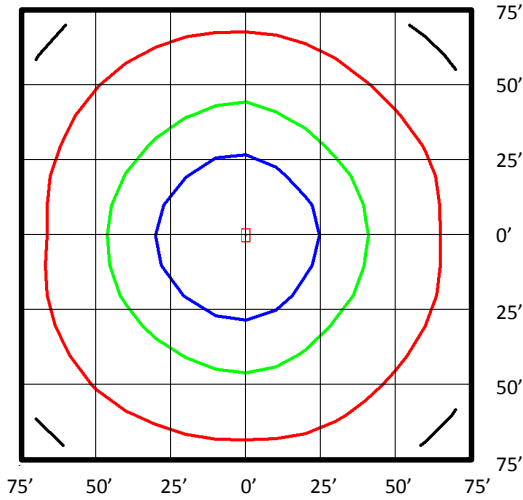
Zone	Lumens	%
FL - Front - Low (0-30)	1,426	11%
FM - Front - Medium (30-60)	4,051	32%
FH - Front - High (60-80)	2,347	19%
FVH - Front - Very High (80-90)	161	1%
Total Forward Light	7,984	64%
BL - Back - Low (0-30)	1,101	9%
BM - Back - Medium (30-60)	2,181	17%
BH - Back - High (60-80)	1,175	9%
BVH - Back - Very High (80-90)	80	1%
Total Back Light	4,537	36%
UL - Up Light - Low (90-100)	0	0%
UH - Up Light - High (100-180)	0	0%
Total Up Light	0	0%
Total Lumens	12,521	100%

LEDMPALPRO80-140 80-140 Watt, Premium Multi-Purpose LED Area Luminaire



PHOTOMETRIC DATA – IES Roadway Distributions

LEDMPALPRO100-4K-T5 (11,834 Lumens, Type V Distribution)



Foot Candles

- 5.0
- 2.0
- 1.0
- 0.5
- 0.2
- 0.1

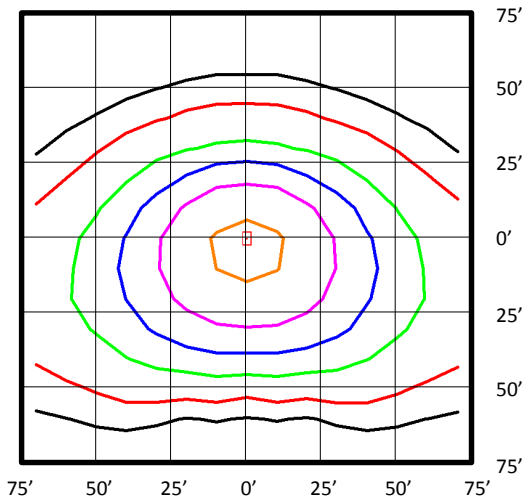
Luminaire Orientation:

- Notes:**
- Isofootcandle plots depict initial footcandles at grade.
 - Gridlines represent units of mounting height of 25 feet.

BUG Rating: B4-U0-G3

Zone	Lumens	%
FL - Front - Low (0-30)	542	5%
FM - Front - Medium (30-60)	2,315	20%
FH - Front - High (60-80)	2,798	24%
FVH - Front - Very High (80-90)	326	3%
Total Forward Light	5,981	51%
BL - Back - Low (0-30)	534	5%
BM - Back - Medium (30-60)	2,229	19%
BH - Back - High (60-80)	2,724	23%
BVH - Back - Very High (80-90)	366	3%
Total Back Light	5,853	49%
UL - Up Light - Low (90-100)	0	0%
UH - Up Light - High (100-180)	0	0%
Total Up Light	0	0%
Total Lumens	11,834	100%

LEDMPALPRO140-4K-T3 (17,176 Lumens, Type III Distribution)



Foot Candles

- 5.0
- 2.0
- 1.0
- 0.5
- 0.2
- 0.1

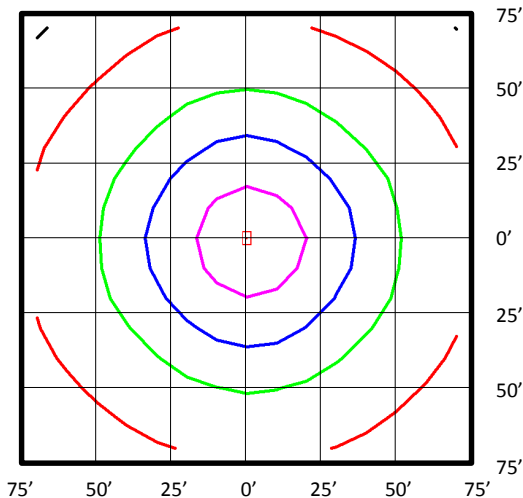
Luminaire Orientation:

- Notes:**
- Isofootcandle plots depict initial footcandles at grade.
 - Gridlines represent units of mounting height of 25 feet.

BUG Rating: B3-U0-G3

Zone	Lumens	%
FL - Front - Low (0-30)	1,929	11%
FM - Front - Medium (30-60)	5,519	32%
FH - Front - High (60-80)	3,382	20%
FVH - Front - Very High (80-90)	241	1%
Total Forward Light	11,071	64%
BL - Back - Low (0-30)	1,514	9%
BM - Back - Medium (30-60)	3,002	17%
BH - Back - High (60-80)	1,496	9%
BVH - Back - Very High (80-90)	94	1%
Total Back Light	6,105	36%
UL - Up Light - Low (90-100)	0	0%
UH - Up Light - High (100-180)	0	0%
Total Up Light	0	0%
Total Lumens	17,176	100%

LEDMPALPRO140-4K-T5 (16,438 Lumens, Type V Distribution)



Foot Candles

- 5.0
- 2.0
- 1.0
- 0.5
- 0.2
- 0.1

Luminaire Orientation:

- Notes:**
- Isofootcandle plots depict initial footcandles at grade.
 - Gridlines represent units of mounting height of 25 feet.

BUG Rating: B4-U0-G4

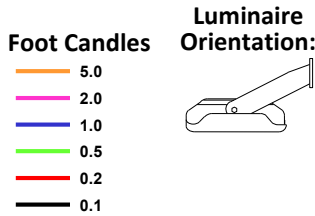
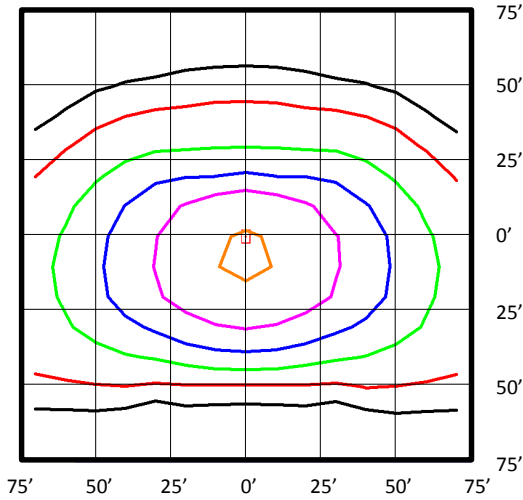
Zone	Lumens	%
FL - Front - Low (0-30)	824	5%
FM - Front - Medium (30-60)	3,268	20%
FH - Front - High (60-80)	3,702	23%
FVH - Front - Very High (80-90)	534	3%
Total Forward Light	8,327	51%
BL - Back - Low (0-30)	797	5%
BM - Back - Medium (30-60)	3,078	19%
BH - Back - High (60-80)	3,607	22%
BVH - Back - Very High (80-90)	629	4%
Total Back Light	8,111	49%
UL - Up Light - Low (90-100)	0	0%
UH - Up Light - High (100-180)	0	0%
Total Up Light	0	0%
Total Lumens	16,438	100%

LEDMPALPRO80-140 80-140 Watt, Premium Multi-Purpose LED Area Luminaire



PHOTOMETRIC DATA – IES Roadway Distributions

LEDMPALPRO140-4K-T3-UNC (17,417 Lumens, Type III Distribution)

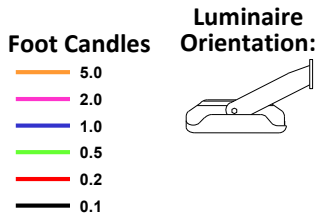
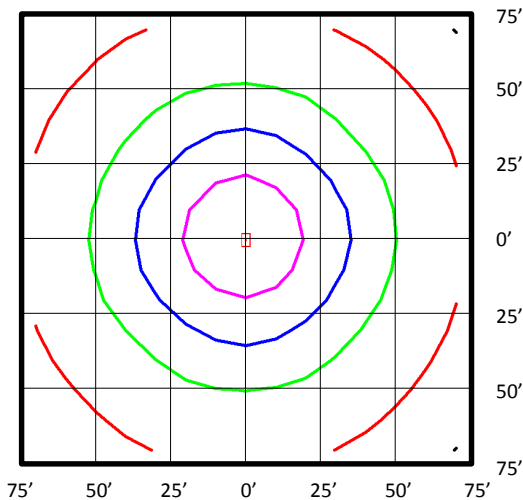


- Notes:**
- Isofootcandle plots depict initial footcandles at grade.
 - Gridlines represent units of mounting height of 25 feet.

BUG Rating: B3-U3-G3

Zone	Lumens	%
FL - Front - Low (0-30)	1,722	10%
FM - Front - Medium (30-60)	5,813	33%
FH - Front - High (60-80)	3,380	19%
FVH - Front - Very High (80-90)	261	1%
Total Forward Light	11,176	64%
BL - Back - Low (0-30)	1,231	7%
BM - Back - Medium (30-60)	2,886	17%
BH - Back - High (60-80)	1,936	11%
BVH - Back - Very High (80-90)	111	1%
Total Back Light	6,162	35%
UL - Up Light - Low (90-100)	13	0%
UH - Up Light - High (100-180)	66	0%
Total Up Light	79	0%
Total Lumens	17,417	100%

LEDMPALPRO140-4K-T5-UNC (17,040 Lumens, Type V Distribution)



- Notes:**
- Isofootcandle plots depict initial footcandles at grade.
 - Gridlines represent units of mounting height of 25 feet.

BUG Rating: B4-U3-G4

Zone	Lumens	%
FL - Front - Low (0-30)	882	5%
FM - Front - Medium (30-60)	3,236	19%
FH - Front - High (60-80)	3,658	21%
FVH - Front - Very High (80-90)	541	3%
Total Forward Light	8,317	49%
BL - Back - Low (0-30)	908	5%
BM - Back - Medium (30-60)	3,441	20%
BH - Back - High (60-80)	3,752	22%
BVH - Back - Very High (80-90)	519	3%
Total Back Light	8,620	51%
UL - Up Light - Low (90-100)	22	0%
UH - Up Light - High (100-180)	81	0%
Total Up Light	103	1%
Total Lumens	17,040	100%