

PDL Paddle Lights



Project:	
Type:	
Catalog #:	

STANDARD



FEATURES

- Available in 4000k (neutral white) and 5000k (cool white) color temperatures.*
- Long-life LEDs provide 142,000 hours of operation with at least 70% of initial lumen output (L₇₀).**
- Available in 4,000 nominal lumens (36 watts); 9,000 nominal lumens (75 watts); and 13,000 nominal lumens (115 watts).
- E39 (mogul) lamp base.
- Universal 120-277 AC voltage (50-60Hz) is standard.
- Power factor > 0.90.
- Total harmonic distortion < 20%.
- Color rendering index (R_a) > 70.
- Magnesium alloy housing with black, powder coat finish.
- Polycarbonate lens.

WARRANTY & LISTINGS

- cULus listed for damp locations.
- DLC 5.0 approved.
- Complies with FCC Part 15, class B.
- Input transient protection = 2.0kV.
- Complies with RoHS (Restriction on Hazardous Substances) requirements.
- 5-year warranty of all electronics and housing.

* Contact factory for other color temperatures and lumen packages.
 ** L₇₀ hours are IES TM-21-11 calculated hours.

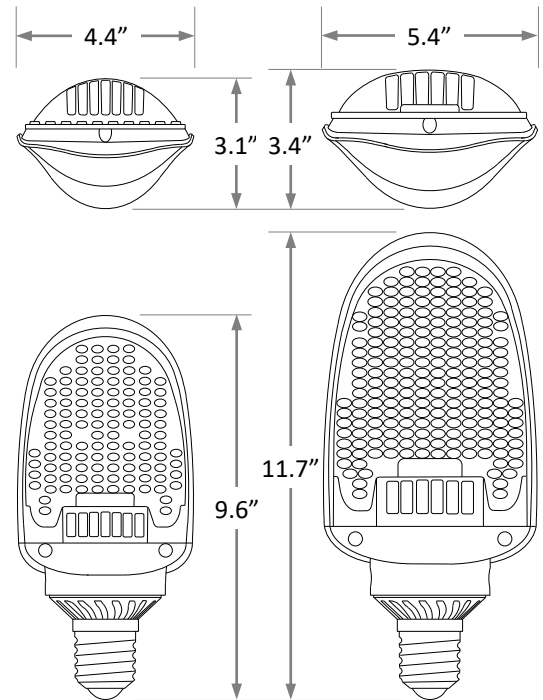


MINIMUM ENCLOSURE DIMENSIONS

The PDL series can be used in enclosed luminaires with the following minimum internal cavity sizes.

4L	9L	13L
8" x 8" x 15"	10" x 10" x 18"	10" x 10" x 18"

DIMENSIONS



Weight: 1.6 lbs. (PLD-4L), 2.8 lbs. (PDL-9L & PDL-13L)

ORDERING INFORMATION

Example: PDL-13L-5K

Series	Nominal Lumen Output		Color Temperature	
	PDL	4L	4,000 lumens	4K
	9L	9,000 lumens	5K	5000k
	13L	13,000 lumens		

Specifications and dimensions subject to change without notice.

PDL Paddle Lights



ELECTRICAL DATA

Model	Color Temp.	CRI ¹	Luminaire Lumens	Luminaire Watts	Lumens Per Watt	Input Voltage	Input Current (A)			Power Factor	THD ²	L ₇₀ Hours ³
							120V	240V	277V			
PDL-4L-4K	4000k	> 70	4,178	36	116	120-277	0.30	0.15	0.13	> 90	< 20	142,000
PDL-4L-5K	5000k	> 70	4,414	36	123	120-277	0.30	0.15	0.13	> 90	< 20	142,000
PDL-9L-4K	4000k	> 70	8,636	75	115	120-277	0.63	0.31	0.27	> 90	< 20	142,000
PDL-9L-5K	5000k	> 70	9,228	75	123	120-277	0.63	0.31	0.27	> 90	< 20	142,000
PDL-13L-4K	4000k	> 70	12,572	111	113	120-277	0.93	0.46	0.40	> 90	< 20	142,000
PDL-13L-5K	5000k	> 70	13,709	113	121	120-277	0.94	0.47	0.41	> 90	< 20	142,000

¹ Color rendering index

² Total harmonic distortion

³ L₇₀ refers to the number of hours at which lumen output declines to 70% of the initial level. L₇₀ hours are IES TM-21-11 calculated hours.

PHOTOMETRIC DATA

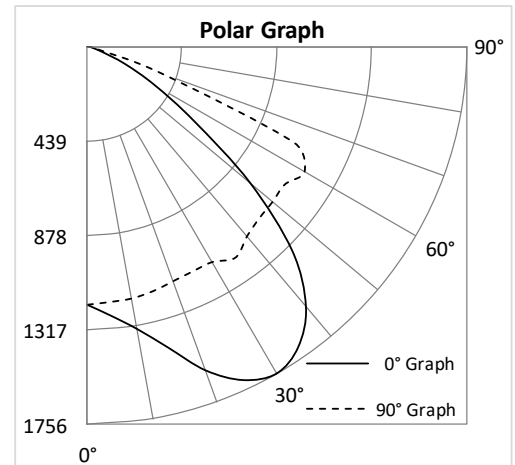
PDL-4L-4K

Luminaire Data

Description	Paddle Light, 4L 4K
Total Lumens	4,178
Input Wattage	36
Efficacy (lm/W)	116
Spacing Criterion (0-180°)	1.82
Spacing Criterion (90-270°)	1.54

Zonal Lumen Summary

Zone	Lumens	%Fixt
0-20°	466	11.1%
0-30°	1,060	25.4%
0-40°	1,868	44.7%
20-50°	2,301	55.1%
40-70°	2,229	53.4%
0-60°	3,565	85.3%
0-80°	4,170	99.8%
0-90°	4,178	100.0%
90-180°	0	0.0%
0-180°	4,178	100.0%



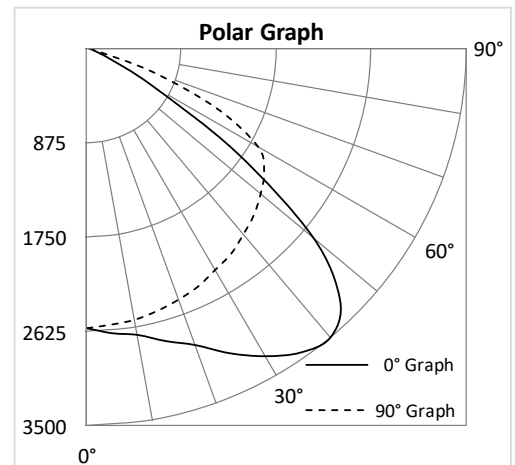
PDL-9L-4K

Luminaire Data

Description	Paddle Light, 9L 4K
Total Lumens	8,636
Input Wattage	75
Efficacy (lm/W)	116
Spacing Criterion (0-180°)	1.9
Spacing Criterion (90-270°)	1.4

Zonal Lumen Summary

Zone	Lumens	%Fixt
0-20°	987	11.4%
0-30°	2,189	25.4%
0-40°	3,804	44.0%
20-50°	4,683	54.2%
40-70°	4,656	53.9%
0-60°	7,391	85.6%
0-80°	8,621	99.8%
0-90°	8,636	100.0%
90-180°	0	0.0%
0-180°	8,636	100.0%



PHOTOMETRIC DATA

PDL-13L-4K

Luminaire Data

Description	Paddle Light, 13L 4K
Total Lumens	12,572
Input Wattage	111
Efficacy (lm/W)	113
Spacing Criterion (0-180°)	1.88
Spacing Criterion (90-270°)	1.4

Zonal Lumen Summary

Zone	Lumens	%Fixt
0-20°	1,379	11.0%
0-30°	3,078	24.5%
0-40°	5,370	42.7%
20-50°	6,642	52.8%
40-70°	6,810	54.2%
0-60°	10,494	83.5%
0-80°	12,540	99.7%
0-90°	12,572	100.0%
90-180°	0	0.0%
0-180°	12,572	100.0%

