

# PNL2X2 2x2 Back-Lit LED Panel



Project:	
Type:	
Catalog #:	

## STANDARD



## FEATURES

- Available in 3500k (warm/neutral white), 4000k (neutral white) & 5000k (cool white) color temperatures.\*
- Long-life LEDs provide 144,000 hours of operation with at least 70% of initial lumen output (L<sub>70</sub>).\*\*
- Provides 4,259 to 4,449 luminaire lumens, and 118 to 123 lumens per watt.\*
- Uniform illumination with no visible LED pixilation.
- Universal 120-277 AC voltage (50-60Hz) is standard.
- 0-10vdc dimming capability is standard.
- Power factor > 90.
- Total harmonic distortion < 20%.
- Color rendering index > 80.
- Aluminum frame and steel housing backplate.
- PMMA (polymethyl methacrylate) LED lenses for optimal light distribution, efficiency and longevity.
- Easy installation in new construction or retrofit.
- Standard earthquake clips provide secure installation in grid ceilings.
- Standard mounting options include recessed mounting in grid ceilings, or suspended mounting using attached hanging brackets. For mounting in plaster or other hard ceiling, see Mounting Kits.

\* Contact factory for other color temperatures and lumen packages.

\*\* L<sub>70</sub> hours are IES TM-21-11 calculated hours.



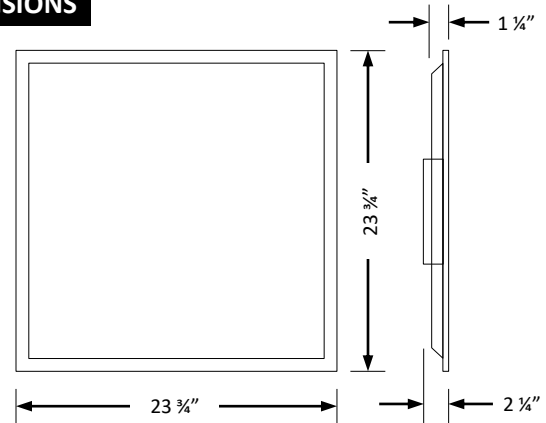
## WARRANTY & LISTINGS

- cULus for damp locations and insulated ceilings (Type IC-rated). Suitable for ambient temperatures from -20°C to 40°C (-4°F to 104°F).
- UL listed for maximum of 4, 12 AWG through branch circuit conductor.
- DLC approved.
- Flicker-free per IEEE1789-2015 (no observable adverse effects of flicker at 100% light output level).
- Complies with RoHS (Restriction on Hazardous Substances) requirements.
- Complies with FCC Part 15, class B.
- Complies with EN61000-4-5, surge immunity protection (1kV).
- 5-year warranty of all electronics and housing.

## MOUNTING KITS

- Optional Surface Mount Kits (LEDSMKT-22) and Flange Mounting Kits (FLANGEKIT22-ET) provide for installation on plaster or other hard ceilings.
- Optional Cable Mounting Kits (LEDPNL-CMK) provide additional security, as well as suspended mounting.

## DIMENSIONS



Weight: 5 lbs.

## ORDERING INFORMATION

Example: PNL2X2-40L-35K-EM20

Series	Nominal Lumens		Color Temperature		Emergency Driver <sup>1,2</sup>	
PNL2X2	40L	4,000 lm	35K	3500K	EM8	800 lumens
			4K	4000k	EM12	1,200 lumens
			5K	5000k	EM16	1,600 lumens
					EM20	2,000 lumens
					EM24	2,400 lumens
				EC8	800 lumens	
				EC12	1,200 lumens	
				EC16	1,600 lumens	
				EC20	2,000 lumens	
				EC24	2,400 lumens	
				Blank	No emergency driver	

<sup>1</sup> See list of emergency drivers (page 3).

<sup>2</sup> EC emergency drivers are California Energy Commission (CEC) listed.

Specifications and dimensions subject to change without notice.

# PNL2X2 2x2 Back-Lit LED Panel



## ELECTRICAL DATA

Model	Color Temperature	CRI <sup>1</sup>	Luminaire Lumens	Luminaire Watts	Lumens Per Watt	Input Voltage <sup>2</sup>	Input Current (A)			Power Factor	THD <sup>3</sup>	L <sub>70</sub> Hours <sup>4</sup>
							120V	240V	277V			
PNL2X2-40L-35K	3500K	> 80	4,259	36	118	120-277	0.30	0.15	0.13	> 90%	< 20%	144,000
PNL2X2-40L-4K	4000K	> 80	4,354	36	121	120-277	0.30	0.15	0.13	> 90%	< 20%	144,000
PNL2X2-40L-5K	5000K	> 80	4,449	36	123	120-277	0.30	0.15	0.13	> 90%	< 20%	144,000

<sup>1</sup> Color rendering index.

<sup>2</sup> All 50-60Hz.

<sup>3</sup> Total harmonic distortion.

<sup>4</sup> L<sub>70</sub> refers to the number of hours at which lumen output declines to 70% of the initial level. L<sub>70</sub> hours are IES TM-21-11 calculated hours.

## PHOTOMETRIC DATA

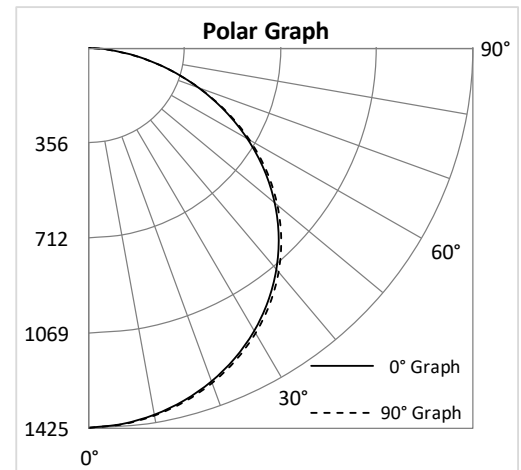
### PNL2X2-40L-5K

#### Luminaire Data

Description	2x2 Back Lit LED Panel - 40L 5K
Total Lumens	4,449
Input Wattage	36
Efficacy (lm/W)	123
Spacing Criterion (0-180°)	1.30
Spacing Criterion (90-270°)	1.30

#### Zonal Lumen Summary

Zone	Lumens	%Fixt
0-20°	525	11.8%
0-30°	1,126	25.3%
0-40°	1,870	42.0%
20-50°	2,142	48.1%
40-70°	2,122	47.7%
0-60°	3,409	76.6%
0-80°	4,341	97.6%
0-90°	4,445	99.9%
90-180°	4	0.1%
0-180°	4,449	100.0%



# PNL2X2 2x2 Back-Lit LED Panel



## COMPATIBLE EMERGENCY DRIVERS

Emergency Driver Part Number	EM8 / EC8		EM12 / EC12		EM16 / EC16		EM20 / EC20		EM24 / EC24		Runtime
	Watts	EM Lumens	Watts	EM Lumens	Watts	EM Lumens	Watts	EM Lumens	Watts	EM Lumens	
PNL2X2-40L-xK	5.0	590	7.8	920	10.7	1263	13.7	1617	17.0	2006	90 MINS.
PNL2X4-50L-xK	5.0	600	7.8	936	10.7	1284	13.7	1644	17.0	2040	
PNL1X4-40L-xK-PRM	5.0	640	7.8	998	10.7	1370	13.7	1754	17.0	2176	
PNL2X2-40L-xK-PRM	5.0	645	7.8	1006	10.7	1380	13.7	1767	17.0	2193	
PNL2X4-50L-xK-PRM	5.0	655	7.8	1022	10.7	1402	13.7	1795	17.0	2227	
PNL2X4-70L-xK-PRM	5.0	655	7.8	1022	10.7	1402	13.7	1795	17.0	2227	

## Compatible Dimmers

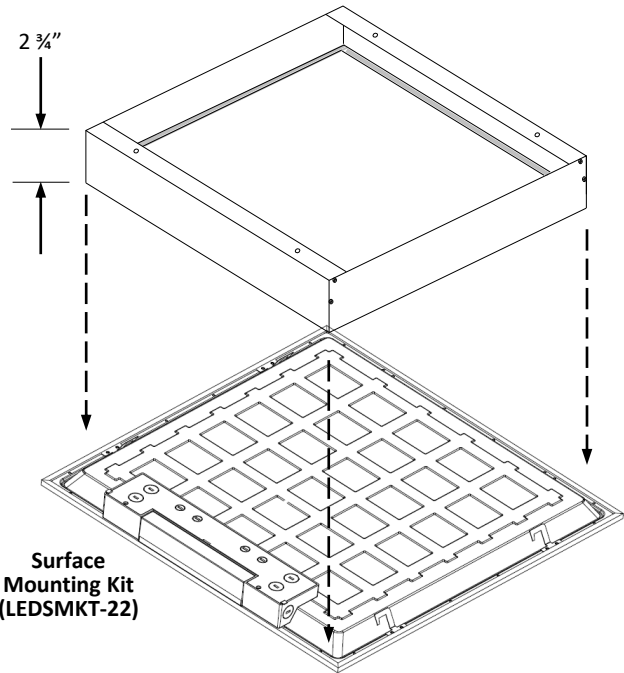
Manufacture	Model Number	Dimming Range	Load Switching Capacity
Lutron	DVSTV	10%-100%	450W
Leviton	IP710-LFZ	10%-100%	1200W
General Protecht	DMD-LED3-102	10%-100%	600W

# PNL2X2 2x2 Back-Lit LED Panel

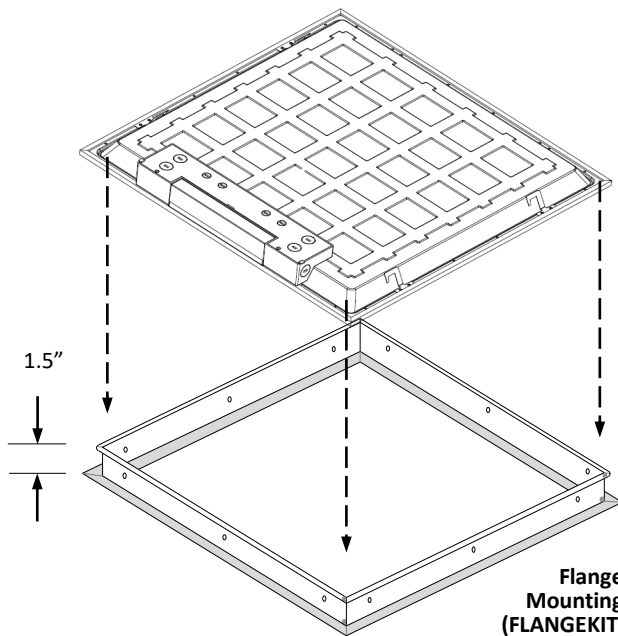


## MOUNTING MEANS – ORDER SEPERATATLY

- Optional surface mounting kits (LEDSMKT-22) mounts below the ceiling.
- Optional flange mounting kits provide for recessed installation on plaster or other hard ceilings. Attach Flange Mount Kit (FLANGEKIT22-ET) to ceiling joists or other stationary structures, and the panel is mounted flush to the ceiling.
- Optional cable mounting kits provide additional security, as well as suspended mounting. Attach one end of the Cable Mount Kit (LEDPNL-CMK) to luminaire earthquake clips using spring clips, and attach the other end to stationary structures using the adjustable, locking ceiling attachment (see picture below right).

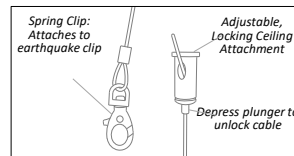


Surface Mounting Kit (LEDSMKT-22)



Flange Mounting Kit (FLANGEKIT22-ET)

## Cable Mounting Kit (LEDPNL-CMK)



### Cable Mount Kit:

- Spring Clip
- Adjustable, locking ceiling attachment