

PTFR Flat/Round Post-Top Luminaires



| | |
|------------|--|
| Project: | |
| Type: | |
| Catalog #: | |

STANDARD



FEATURES

- Available in 3000k (warm white), 4000k (neutral white), and 5000k (cool white) color temperature.*
- Adjustable from 0°-90°.
- Long-life LEDs provide at least 70% of initial lumen output (L_{70}) for $\geq 174,000$ hours of operation, and at least 90% of initial lumen output (L_{90}) for $\geq 51,000$ hours of operation.**
- LED chromaticity based on ≤ 6 -step ANSI quadrangles.
- LED color maintenance ≤ 0.002 chromaticity shift ($\Delta u'v'$) over the initial 6,000 hours of operation.
- PTFR provides a range of 7,000 to 20,000 nominal lumens and uses 52 to 152 nominal watts
- 1-10vdc dimming drivers, which provide 10% continuous dimming are standard.
- Universal 120-277 AC voltage (50-60Hz) is standard.
- Power factor > 0.90 .
- Total harmonic distortion $< 20\%$.
- Color rendering index (R_a) > 80 . Red color rendering of at least 0.
- Aluminum housing with dark bronze powder coat finish.
- PTFR-7L & 10L = glass lens. PTFR-20L = polycarbonate lens.
- Factory installed NEMA photocell receptacle & shorting cap options available. NEMA photocells are available as accessories (order separately).
- Compatible with 2" - 2 7/8" pole/tenons.
- Easy installation in new construction or retrofit applications.

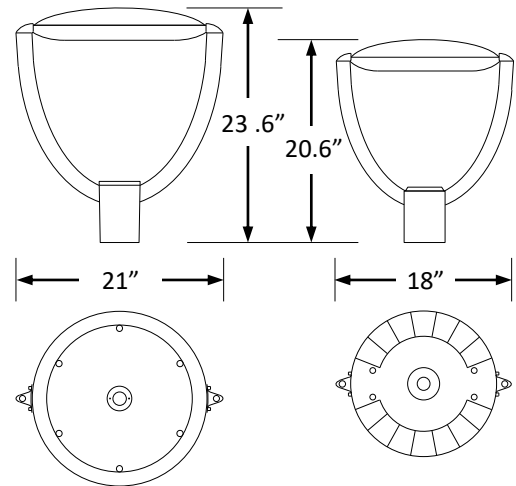
* Contact factory for other color temperatures and lumen packages.
 ** L70 hours are IES TM-21-11 calculated hours.



WARRANTY & LISTINGS

- cULus listed for wet locations in ambient temperatures from -30°C to 45°C (-22°F to 113°F).
- IP65 rated for ingress protection.
- DLC 5.1 premium approved.
- Complies with FCC Part 15, class B.
- Complies with ICE61000-4-5, input transient surge protection (2-6kV).
- Complies with RoHS (Restriction on Hazardous Substances) requirements.
- 5-year warranty of all electronics and housing.

DIMENSIONS



ORDERING INFORMATION

Example: PTFR-10L-5K-P

| Series | Nominal Lumen Output | | Color Temperature | | Photocell Receptacle | | Accessories (Order Separately) | |
|--------|----------------------|---------------|-------------------|-------|---------------------------|---------------|--------------------------------|----------------|
| | 7L | 10L | 3K | 4K | P | Blank | JL-205C23-IP65 | NEMA Photocell |
| PTFR | 7,000 lumens | 10,000 lumens | 3000k | 4000k | NEMA photocell receptacle | No receptacle | | |
| | 20,000 lumens | | 5K | 5000k | | | | |

Specifications and dimensions subject to change without notice.

PTFR Flat/Round Post-Top Luminaires



ELECTRICAL DATA

| Model | Color Temperature | CRI ¹ | Luminaire Lumens | Luminaire Watts | Lumens Per Watt | Input Voltage ² | Input Current (A) | | | Power Factor | THD ³ | L ₇₀ Hours ⁴ |
|-------------|-------------------|------------------|------------------|-----------------|-----------------|----------------------------|-------------------|------|------|--------------|------------------|------------------------------------|
| | | | | | | | 120V | 240V | 277V | | | |
| PTFR-7L-3K | 3000k | > 80 | 6,662 | 52 | 128 | 120-277 | 0.43 | 0.22 | 0.19 | > 90% | < 20% | 174,000 |
| PTFR-7L-4K | 4000k | > 80 | 6,785 | 52 | 130 | 120-277 | 0.43 | 0.22 | 0.19 | > 90% | < 20% | 174,000 |
| PTFR-7L-5K | 5000k | > 80 | 6,887 | 52 | 132 | 120-277 | 0.43 | 0.22 | 0.19 | > 90% | < 20% | 174,000 |
| PTFR-10L-3K | 3000k | > 80 | 9,713 | 77 | 126 | 120-277 | 0.64 | 0.32 | 0.28 | > 90% | < 20% | 174,000 |
| PTFR-10L-4K | 4000k | > 80 | 9,883 | 77 | 128 | 120-277 | 0.64 | 0.32 | 0.28 | > 90% | < 20% | 174,000 |
| PTFR-10L-5K | 5000k | > 80 | 10,025 | 77 | 130 | 120-277 | 0.64 | 0.32 | 0.28 | > 90% | < 20% | 174,000 |
| PTFR-20L-3K | 3000k | > 80 | 19,764 | 152 | 130 | 120-277 | 1.27 | 0.63 | 0.55 | > 90% | < 20% | 174,000 |
| PTFR-20L-4K | 4000k | > 80 | 20,034 | 151 | 133 | 120-277 | 1.26 | 0.63 | 0.55 | > 90% | < 20% | 174,000 |
| PTFR-20L-5K | 5000k | > 80 | 20,259 | 151 | 134 | 120-277 | 1.26 | 0.63 | 0.55 | > 90% | < 20% | 174,000 |

¹ Color rendering index.

² All 50-60Hz.

³ Total harmonic distortion.

⁴ L₇₀ refers to the number of hours at which lumen output declines to 70% of the initial level. L₇₀ hours are IES TM-21-11 calculated hours.

PHOTOMETRIC DATA

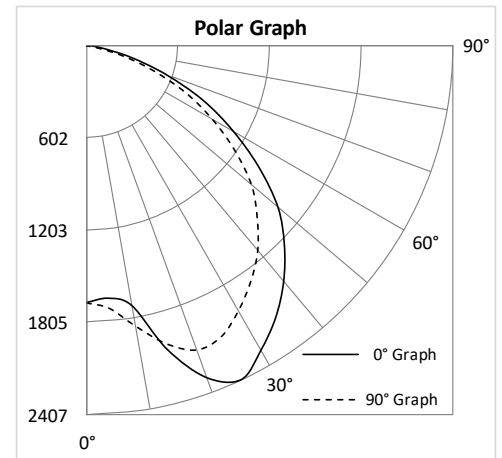
PTFR-7L-3K

Luminaire Data

| | |
|-----------------------------|------------------------------|
| Description | Post Top Luminaire 7L, 3K |
| Total Lumens | 6,662 |
| Input Wattage | 52 |
| Efficacy (lm/W) | 128 |
| Max. Cd. | 2423.24 (337.5H, 25V) |
| IES Classification | Type VS |
| Longitudinal Classification | Very Short |

Luminaire Classification Systems (LCS)

| LCS Zone | | Lumens | %Lum |
|--------------|---------|--------------|---------------|
| FL | 0-30 | 857 | 12.9% |
| FM | 30-60 | 1,897 | 28.5% |
| FH | 60-80 | 555 | 8.3% |
| FVH | 80-90 | 20 | 0.3% |
| BL | 0-30 | 838 | 12.6% |
| BM | 30-60 | 1,880 | 28.2% |
| BH | 60-80 | 552 | 8.3% |
| BVH | 80-90 | 19 | 0.3% |
| UL | 90-100 | 7 | 0.1% |
| UH | 100-180 | 38 | 0.6% |
| Total | | 6,662 | 100.0% |
| BUG Rating | | B2-U2-G1 | |



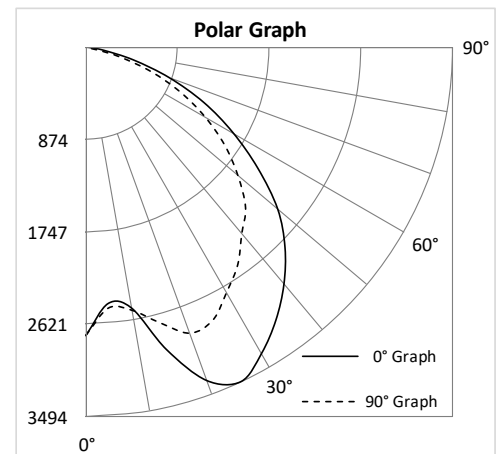
PTFR-10L-3K

Luminaire Data

| | |
|-----------------------------|-------------------------------|
| Description | Post Top Luminaire 10L, 3K |
| Total Lumens | 9,713 |
| Input Wattage | 77 |
| Efficacy (lm/W) | 127 |
| Max. Cd. | 3568.51 (157.5H, 23V) |
| IES Classification | Type VS |
| Longitudinal Classification | Very Short |

Luminaire Classification Systems (LCS)

| LCS Zone | | Lumens | %Lum |
|--------------|---------|--------------|---------------|
| FL | 0-30 | 1,233 | 12.7% |
| FM | 30-60 | 2,731 | 28.1% |
| FH | 60-80 | 818 | 8.4% |
| FVH | 80-90 | 29 | 0.3% |
| BL | 0-30 | 1,267 | 13.0% |
| BM | 30-60 | 2,746 | 28.3% |
| BH | 60-80 | 803 | 8.3% |
| BVH | 80-90 | 27 | 0.3% |
| UL | 90-100 | 9 | 0.1% |
| UH | 100-180 | 51 | 0.5% |
| Total | | 9,713 | 100.0% |
| BUG Rating | | B3-U3-G1 | |



PTFR Flat/Round Post-Top Luminaires



PHOTOMETRIC DATA

PTFR-20L-3K

Luminaire Data

| | |
|-----------------------------|-------------------------------|
| Description | Post Top Luminaire 20L, 3K |
| Total Lumens | 19,764 |
| Input Wattage | 152 |
| Efficacy (lm/W) | 130 |
| Max. Cd. | 8500.71 (157.5H, 26V) |
| IES Classification | Type VS |
| Longitudinal Classification | Very Short |

Luminaire Classification Systems (LCS)

| LCS Zone | Lumens | %Lum |
|-------------------|----------|--------|
| FL 0-30 | 3,029 | 15.3% |
| FM 30-60 | 5,690 | 28.8% |
| FH 60-80 | 961 | 4.9% |
| FVH 80-90 | 60 | 0.3% |
| BL 0-30 | 3,054 | 15.5% |
| BM 30-60 | 5,737 | 29.0% |
| BH 60-80 | 974 | 4.9% |
| BVH 80-90 | 60 | 0.3% |
| UL 90-100 | 31 | 0.2% |
| UH 100-180 | 167 | 0.8% |
| Total | 19,764 | 100.0% |
| BUG Rating | B4-U3-G1 | |

