

UTDR 4" & 6" Ultra-thin Downlight



Project:	
Type:	
Catalog #:	

STANDARD



FEATURES

- Available in 3000k (warm white) and 4000k (neutral white) color temperatures.*
- Long-life LEDs provide at least 70% of initial lumen output (L_{70}) for 70,000 hours of operation.**
- Color rendering index (R_a) > 80.
- UTDR-4 provides 660 nominal lumens from 9 watts and UTDR-6 provides 860 nominal lumens from 12 watts.
- Input voltage = 120V 60Hz
- Power factor > 0.90.
- Total harmonic distortion < 20%.
- Triac dimming.
- Steel housing, painted white. Polystyrene lens.
- Easy installation in new construction or retrofit applications.
- Compatible with 4" (UTDR-4) and 6" (UTDR-6) ceiling cut-outs.
- Type IC, inherently protected. Access above ceiling required.
- This device is not intended for use with emergency exits.

WARRANTY & LISTINGS

- cETLus listed for damp locations.
- Compatible for new construction and retrofit applications.
- Flicker-free per IEEE1789-2015 (no observable adverse effects of flicker at 100% light output level).
- Complies with FCC Part 15, class B.
- Surge protection = 2.5kV.
- 5-year warranty of all electronics and housing.

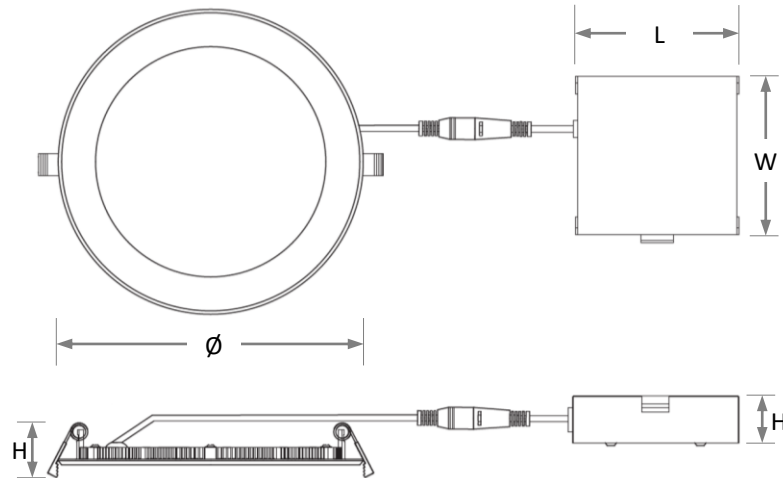
* Contact factory for other color temperatures and lumen packages.
 ** L_{70} hours are IES TM-21-11 calculated hours.



COMPATIBLE DIMMERS

Manufacturer/Series	Model Number
Lutron/Maestro C-L	MACL-153MR
Lutron/Diva	DV-600P
Lutron	PD-6WCL
Leviton/Sureslide	6674
Leviton/Sureslide	6633-P
Leviton/Sureslide	6631
Legrand/Harmony	HCL453PTCCCV6

DIMENSIONS



Model	Luminaire		Driver			Weight
	Diameter	Height	Length	Width	Height	
UTDR-4	4.7"	0.8"	3.5"	3.5"	1.4"	0.8 lbs
UTDR-6	6.9"	0.8"	3.5"	3.5"	1.4"	1 lbs

ORDERING INFORMATION

Example: UTDR-6-9L-3K

Series	Size & Nominal Lumen Output		Color Temperature	
	Size	Nominal Lumen Output	Color	Temperature
UTDR	4-7L	700 lumens	3K	3000k
	6-9L	900 lumens	4K	4000k

Specifications and dimensions subject to change without notice.