

WPA Adjustable Wall Packs



Project:	
Type:	
Catalog #:	



STANDARD



FEATURES

- Available in 4000k (neutral white) and 5000k (cool white) color temperatures.*
- Adjustable up to 90°.
- Long-life LEDs provide at least 70% of initial lumen output (L_{70}) for $\geq 56,000$ hours of operation, and at least 90% of initial lumen output (L_{90}) for $\geq 17,000$ hours of operation.*
- LED chromaticity based on ≤ 5 -step ANSI quadrangles.
- LED color maintenance ≤ 0.002 chromaticity shift ($\Delta u'v'$) over the initial 6,000 of operation.
- Provides a range of 2,680 to 10,824 nominal lumens and 113 to 118 nominal lumens per watt (lm/W).
- 0-10vdc dimming drivers, which provide 10% continuous dimming are standard.
- Universal 120-277 AC voltage (50-60Hz) is standard.
- Power factor > 0.90 .
- Total harmonic distortion $< 20\%$.
- Color rendering index (R_a) > 80 . Red color rendering > 16 .
- Cast aluminum housing with dark bronze, powder coat finish.
- Polycarbonate lens.
- Two $\frac{1}{2}$ " NPT threaded openings.
- Easy installation in new construction or retrofit applications.

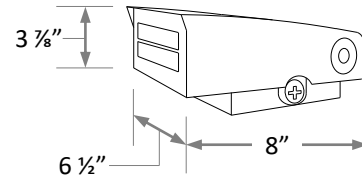
* Contact factory for other color temperatures and lumen packages.
 ** L_{70} & L_{90} hours are IES TM-21-11 calculated hours.

WARRANTY & LISTINGS

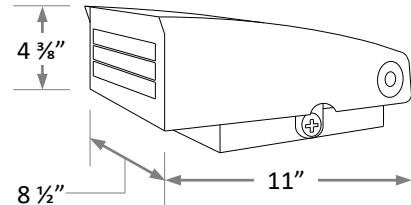
- cULus listed for wet locations in ambient temperatures from -40°C to 40°C (-40°F to 104°F).
- IP65 rated for ingress protection.
- DLC 5.1 approved.
- Complies with FCC Part 15, class A (3L & 4L).
- Complies with FCC Part 15, class B (7L, 8L, & 11L).
- Complies with IEC61000-4-5, surge immunity protection (2kV).
- Complies with RoHS (Restriction on Hazardous Substances) requirements.
- 5-year warranty of all electronics and housing.

DIMENSIONS

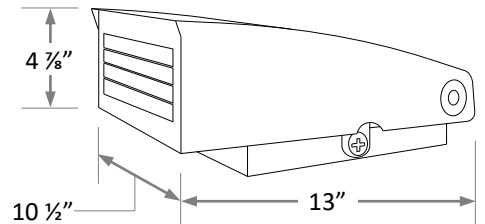
3L & 4L models



7L & 8L models



11L model



ORDERING INFORMATION

Example: WPA-3L-4K

Series	Nominal Lumen Output		Color Temperature	
WPA	3L	3,000 lumens	4K	4000k
	4L	4,000 lumens	5K	5000k
	7L	7,000 lumens		
	8L	8,000 lumens		
	11L	11,000 lumens		

Specifications and dimensions subject to change without notice.

WPA Adjustable Wall Packs



ELECTRICAL DATA

Model	Color Temperature	CRI ¹	Luminaire Lumens	Luminaire Watts	Lumens/Watt	Input Voltage ²	Input Current (A)			Power Factor	THD ³	L ₇₀ Hours ⁴
							120V	240V	277V			
WPA-3L-4K	4000k	>80	2,680	23	116	120-277	0.19	0.10	0.08	>0.90	<20%	56,000
WPA-3L-5K	5000k	>80	2,693	23	118	120-277	0.19	0.10	0.08	>0.90	<20%	56,000
WPA-4L-4K	4000k	>80	4,234	37	114	120-277	0.31	0.16	0.13	>0.90	<20%	56,000
WPA-4L-5K	5000k	>80	4,254	37	114	120-277	0.31	0.16	0.13	>0.90	<20%	56,000
WPA-7L-4K	4000k	>80	6,601	58	114	120-277	0.48	0.24	0.21	>0.90	<20%	56,000
WPA-7L-5K	5000k	>80	6,626	57	116	120-277	0.48	0.24	0.21	>0.90	<20%	56,000
WPA-8L-4K	4000k	>80	8,014	71	113	120-277	0.59	0.29	0.26	>0.90	<20%	56,000
WPA-8L-5K	5000k	>80	8,078	71	114	120-277	0.59	0.30	0.26	>0.90	<20%	56,000
WPA-11L-4K	4000k	>80	10,752	93	116	120-277	0.78	0.39	0.34	>0.90	<20%	56,000
WPA-11L-5K	5000k	>80	10,824	93	116	120-277	0.78	0.39	0.34	>0.90	<20%	56,000

¹ Color rendering index.

² All 50-60Hz.

³ Total harmonic distortion.

⁴ L₇₀ refers to the number of hours at which lumen output declines to 70% of the initial level. L₇₀ hours are IES TM-21-11 calculated hours.

PHOTOMETRIC DATA

WPA-3L-4K

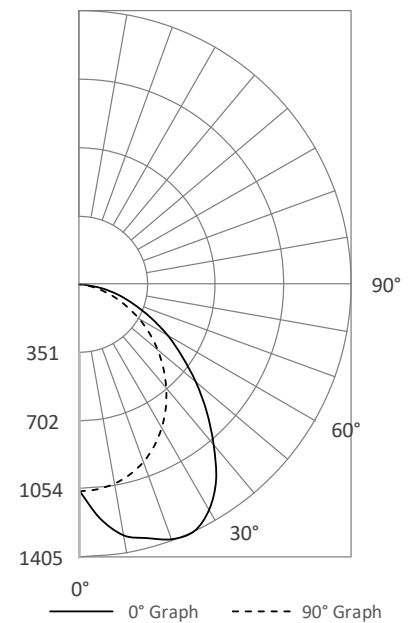
Luminaire Data

Description	Adjustable Wall Pack 3L, 4K
Total Lumens	2,680
Input Wattage	23
Efficacy (lm/W)	117
Max. Cd.	1413.96 (360H, 22V)
IES Classification	Type II
Longitudinal Classification	Very Short

Luminaire Classification Systems (LCS)

LCS Zone		Lumens	%Lum
FL	0-30	520	19.4%
FM	30-60	993	37.1%
FH	60-80	316	11.8%
FVH	80-90	21	0.8%
BL	0-30	305	11.4%
BM	30-60	399	14.9%
BH	60-80	118	4.4%
BVH	80-90	7	0.3%
UL	90-100	0	0.0%
UH	100-180	0	0.0%
Total		2,680	99.9%
BUG Rating		B1-U0-G1	

180° Polar Graph



Zonal Lumen Summary

Zone	Lumens	%Fixt
0-30°	824	30.8%
0-60°	2,217	82.7%
0-80°	2,652	98.9%
80-90°	28	1.1%*
0-90°	2,680	100.0%
90-110°	0	0.0%
110-180°	0	0.0%
0-180°	2,680	100.0%

* 80-90° glare zone is calculated by dividing the lumens in that zone by the lumen total in the 0-90° zone

WPA Adjustable Wall Packs



PHOTOMETRIC DATA

WPA-4L-4K

Luminaire Data

Description	Adjustable Wall Pack 4L, 4K
Total Lumens	4,234
Input Wattage	37
Efficacy (lm/W)	114
Max. Cd.	2251.44 (360H, 23V)
IES Classification	Type II
Longitudinal Classification	Very Short

Zonal Lumen Summary

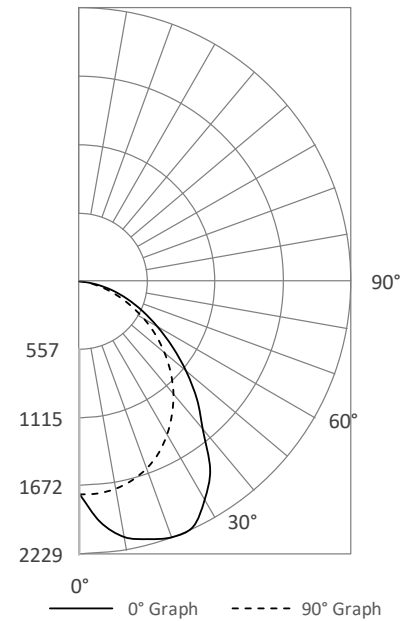
Zone	Lumens	%Fixt
0-30°	1,347	31.8%
0-60°	3,541	83.6%
0-80°	4,196	99.1%
80-90°	38	0.9%*
0-90°	4,234	100.0%
90-110°	0	0.0%
110-180°	0	0.0%
0-180°	4,234	100.0%

* 80-90° glare zone is calculated by dividing the lumens in that zone by the lumen total in the 0-90° zone

Luminaire Classification Systems (LCS)

LCS Zone		Lumens	%Lum
FL	0-30	836	19.8%
FM	30-60	1,531	36.2%
FH	60-80	462	10.9%
FVH	80-90	26	0.6%
BL	0-30	511	12.1%
BM	30-60	663	15.7%
BH	60-80	192	4.5%
BVH	80-90	12	0.3%
UL	90-100	0	0.0%
UH	100-180	0	0.0%
Total		4,234	100.0%
BUG Rating		B2-U0-G1	

180° Polar Graph



WPA-7L-4K

Luminaire Data

Description	Adjustable Wall Pack 7L, 4K
Total Lumens	6,601
Input Wattage	58
Efficacy (lm/W)	114
Max. Cd.	3506.76 (360H, 23V)
IES Classification	Type II
Longitudinal Classification	Very Short

Zonal Lumen Summary

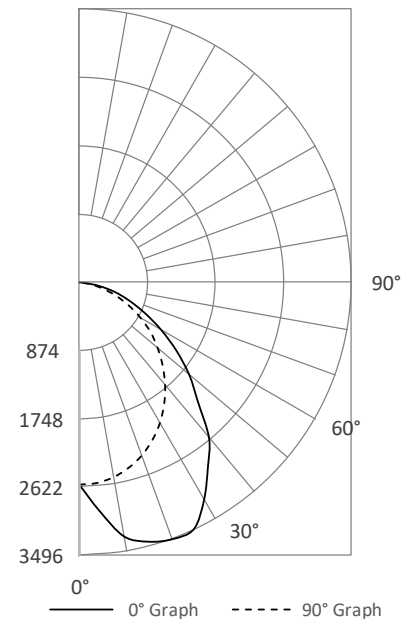
Zone	Lumens	%Fixt
0-30°	2,048	31.0%
0-60°	5,464	82.8%
0-80°	6,527	98.9%
80-90°	74	1.1%*
0-90°	6,601	100.0%
90-110°	0	0.0%
110-180°	0	0.0%
0-180°	6,601	100.0%

* 80-90° glare zone is calculated by dividing the lumens in that zone by the lumen total in the 0-90° zone

Luminaire Classification Systems (LCS)

LCS Zone		Lumens	%Lum
FL	0-30	1,286	19.5%
FM	30-60	2,388	36.2%
FH	60-80	752	11.4%
FVH	80-90	53	0.8%
BL	0-30	762	11.5%
BM	30-60	1,028	15.6%
BH	60-80	311	4.7%
BVH	80-90	21	0.3%
UL	90-100	0	0.0%
UH	100-180	0	0.0%
Total		6,601	100.0%
BUG Rating		B2-U0-G1	

180° Polar Graph



WPA Adjustable Wall Packs



PHOTOMETRIC DATA

WPA-8L-4K

Luminaire Data

Description	Adjustable Wall Pack 8L, 4K
Total Lumens	8,014
Input Wattage	71
Efficacy (lm/W)	113
Max. Cd.	4284.82 (360H, 23V)
IES Classification	Type II
Longitudinal Classification	Very Short

Zonal Lumen Summary

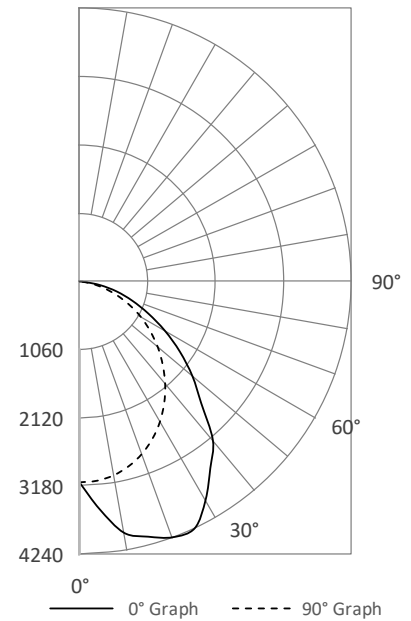
Zone	Lumens	%Fixt
0-30°	2,462	30.7%
0-60°	6,611	82.5%
0-80°	7,922	98.9%
80-90°	92	1.1%*
0-90°	8,014	100.0%
90-110°	0	0.0%
110-180°	0	0.0%
0-180°	8,014	100.0%

* 80-90° glare zone is calculated by dividing the lumens in that zone by the lumen total in the 0-90° zone

Luminaire Classification Systems (LCS)

LCS Zone		Lumens	%Lum
FL	0-30	1,554	19.4%
FM	30-60	2,926	36.5%
FH	60-80	937	11.7%
FVH	80-90	66	0.8%
BL	0-30	908	11.3%
BM	30-60	1,223	15.3%
BH	60-80	375	4.7%
BVH	80-90	26	0.3%
UL	90-100	0	0.0%
UH	100-180	0	0.0%
Total		8,014	100.0%
BUG Rating		B2-U0-G1	

180° Polar Graph



WPA-11L-4K

Luminaire Data

Description	Adjustable Wall Pack 11L, 4K
Total Lumens	10,752
Input Wattage	93
Efficacy (lm/W)	116
Max. Cd.	5826.22 (360H, 25V)
IES Classification	Type II
Longitudinal Classification	Very Short

Zonal Lumen Summary

Zone	Lumens	%Fixt
0-30°	3,459	32.2%
0-60°	9,020	83.9%
0-80°	10,642	99.0%
80-90°	110	1%*
0-90°	10,752	100.0%
90-110°	0	0.0%
110-180°	0	0.0%
0-180°	10,752	100.0%

* 80-90° glare zone is calculated by dividing the lumens in that zone by the lumen total in the 0-90° zone

Luminaire Classification Systems (LCS)

LCS Zone		Lumens	%Lum
FL	0-30	2,153	20.0%
FM	30-60	3,866	35.9%
FH	60-80	1,129	10.5%
FVH	80-90	78	0.7%
BL	0-30	1,307	12.2%
BM	30-60	1,694	15.8%
BH	60-80	494	4.6%
BVH	80-90	32	0.3%
UL	90-100	0	0.0%
UH	100-180	0	0.0%
Total		10,752	99.8%
BUG Rating		B3-U0-G1	

180° Polar Graph

