

# FL-LED-R1A-15-8CSB-KY

## COMPACT 15W GENERAL-PURPOSE LED FLOOD LIGHT



Compact 15W, 120-277V Input

### PRODUCT FEATURES

- Uniform, wide flood design (NEMA 7h x 7w distribution pattern)
- Heavy-duty, die cast aluminum housing featuring built-in glare visor and tempered glass lens
- Powered by 0–10V dimming LED drivers
- Adjustable CCT (3000K, 4000K, or 5000K)
- Built-in dusk-to-dawn photocell behind translucent 3/4" threaded plug with anti-yellowing agent
- Heavy-duty 1/2" knuckle mount with 90° adjustment and yoke mount options included
- Ambient operating temperature: –30°C/–22°F to 45°C/113°F
- UL listed for wet locations, IP65
- 0–10V dimming, 10% min
- Power Factor: >0.95
- THD: <20%
- LED chip lifetime: L70 >100,000 hrs @ 25°C/77°F ambient fixture temp
- Meets FCC Part 15, Part B, Class A standards for conducted and radiated emissions
- 18" input cable, pre-stripped
- Fixture impact rating IK06



**10 YEAR**  
LIMITED WARRANTY

### ELECTRICAL SPECIFICATIONS

| Catalog Number        | Wattage | Lumens  | Dimming | CCT*  | Efficacy | CRI | Housing Color | Mounting                              | Input Voltage | Rated Life | Legacy Equivalent |
|-----------------------|---------|---------|---------|-------|----------|-----|---------------|---------------------------------------|---------------|------------|-------------------|
| FL-LED-R1A-15-8CSB-KY | 15W     | 1920 lm | 0–10V   | 3000K | 128 lm/W | >80 | Bronze        | Universal:<br>1/2" Knuckle<br>or yoke | 120–277V      | 50,000 hrs | 70W MH            |
|                       |         | 2175 lm |         | 4000K | 145 lm/W |     |               |                                       |               |            |                   |
|                       |         | 2100 lm |         | 5000K | 140 lm/W |     |               |                                       |               |            |                   |

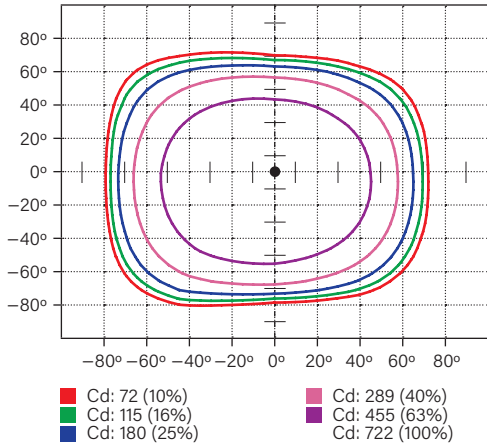
\* Color Uniformity: CCT (Correlated Color Temperature) range as per guidelines outlined in ANSI C78.377-2017

# FL-LED-R1A-15-8CSB-KY

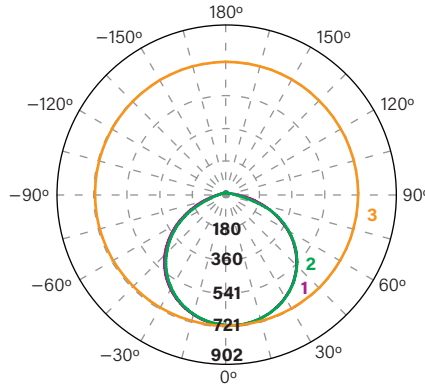
## COMPACT 15W GENERAL-PURPOSE LED FLOOD LIGHT

### PHOTOMETRIC SPECIFICATIONS

#### ISOCANDELA PLOT



#### LUMINOUS INTENSITY DISTRIBUTION



Average diffuse angle (50%): **114.0°**

- 1 Violet C0 - C180
- 2 Green C90 - C270
- 3 Orange G6

Unit: cd

#### FLUX DISTRIBUTION

| Zone                 | Lumens   | % Luminaire |
|----------------------|----------|-------------|
| <b>Forward Light</b> | 1,093 lm | 53.7%       |
| 0°-30°               | 287 lm   | 14.1%       |
| 30°-60°              | 585 lm   | 28.7%       |
| 60°-80°              | 214 lm   | 10.5%       |
| 80°-90°              | 7 lm     | 0.4%        |
| <b>Back Light</b>    | 925 lm   | 45.5%       |
| 0°-30°               | 277 lm   | 13.6%       |
| 30°-60°              | 513 lm   | 25.2%       |
| 60°-80°              | 134 lm   | 6.6%        |
| 80°-90°              | 2 lm     | 0.1%        |
| <b>Up Light</b>      | 16 lm    | 0.8%        |
| 90°-100°             | 1 lm     | 0.0%        |
| 100°-180°            | 15 lm    | 0.7%        |

#### BUG\* Rating

##### Asymmetrical Luminaire Types

Type I, II, III, IV B1 U2 G1

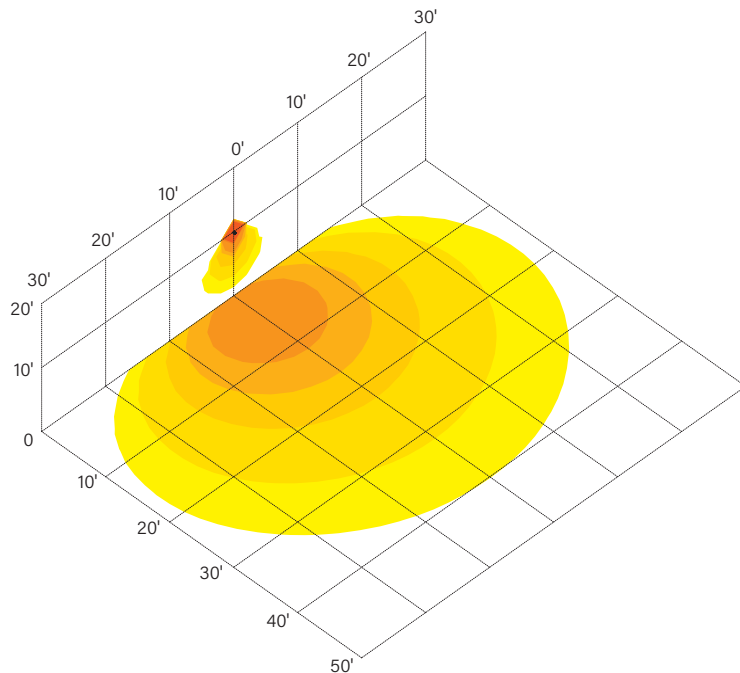
##### Quadrilateral Symmetrical Luminaire Types

Type V, Area Light B1 U2 G0

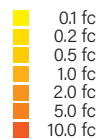
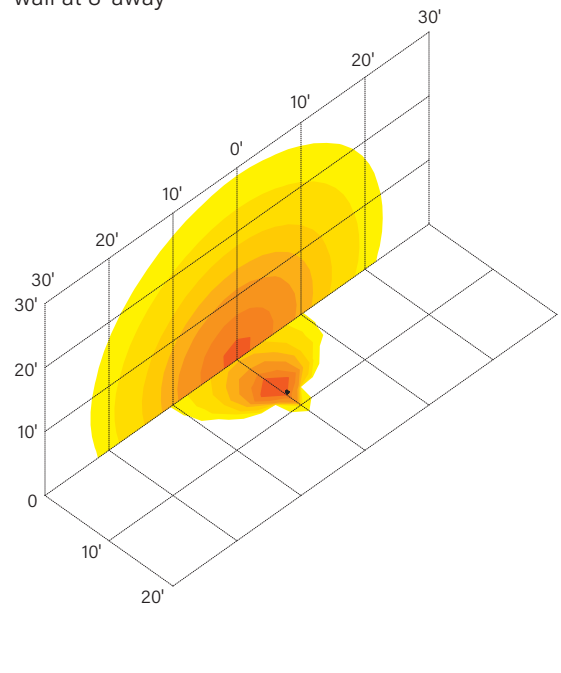
\* Backlight, Uplight, Glare

### LIGHT DISTRIBUTION PATTERNS (Isometric view from above)

Building exterior mounted at 10',  
30° below horizontal



Ground mounted at 6" above ground,  
10° above horizontal, shining towards building exterior  
wall at 8' away

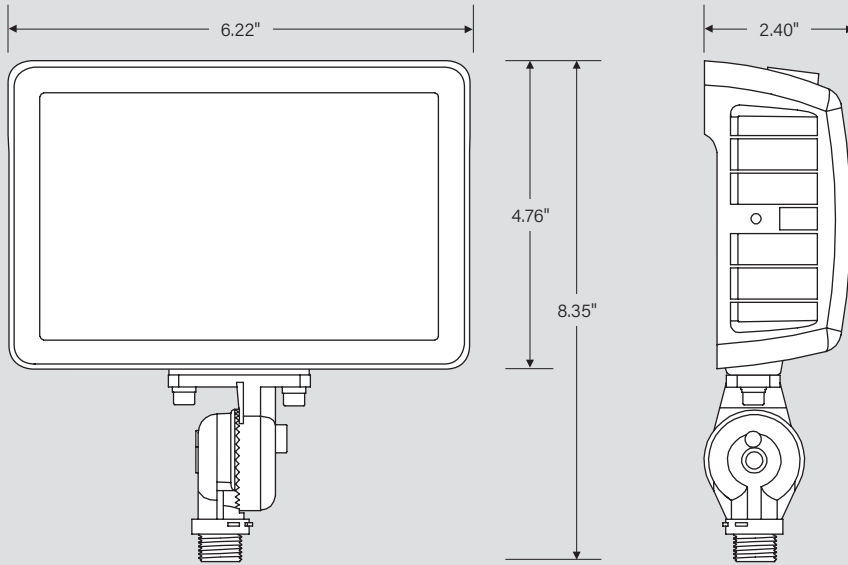


# FL-LED-R1A-15-8CSB-KY

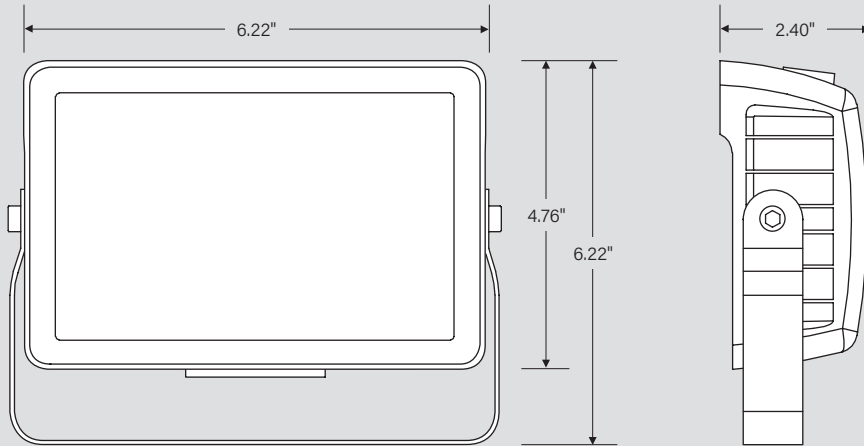
## COMPACT 15W GENERAL-PURPOSE LED FLOOD LIGHT

### PHYSICAL SPECIFICATIONS

#### KNUCKLE MOUNT



#### YOKE MOUNT

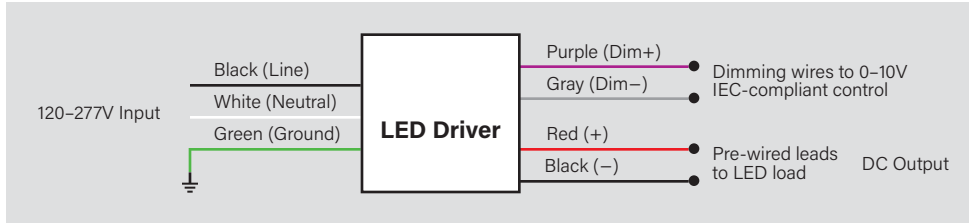


# FL-LED-R1A-15-8CSB-KY

## COMPACT 15W GENERAL-PURPOSE LED FLOOD LIGHT

### GENERAL SETUP INSTRUCTIONS

#### GENERAL WIRING DIAGRAM



**Caution:** Before installing, make certain that AC power to the fixture is off.

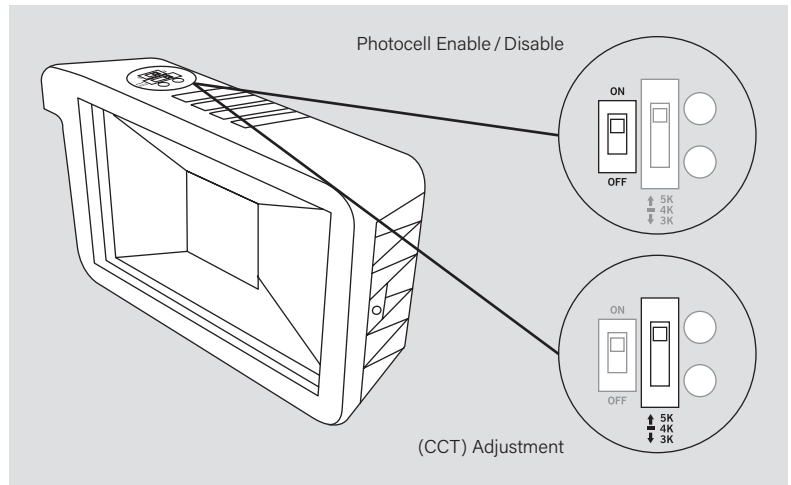
**Caution:** The electrical rating of this product is 120-277V. Installer must confirm that there is 120-277V at the fixture before installation.

#### PHOTOCELL ENABLE / DISABLE

This fixture is equipped with a dusk-to-dawn photocell behind the translucent knock-out (KO) cover. Adjust the dip switch to enable (ON) or disable (OFF) the photocell function (see illustrations to the right). Fixture comes preset with photocell enabled unless otherwise noted.

#### (CCT) ADJUSTMENT

This fixture is equipped with CCT Selection. There is an adjustable dip switch behind the translucent knock-out (KO) cover to change CCT between 5000K, 4000K, and 3000K (see illustrations to the right). Fixture comes preset at 5000K unless otherwise noted.



# FL-LED-R1A-15-8CSB-KY

## COMPACT 15W GENERAL-PURPOSE LED FLOOD LIGHT

### ACCESSORIES (SOLD SEPARATELY)

#### CORD SETS

**Factory-Installable OR Field-Installable** (field-installable options must be purchased separately)

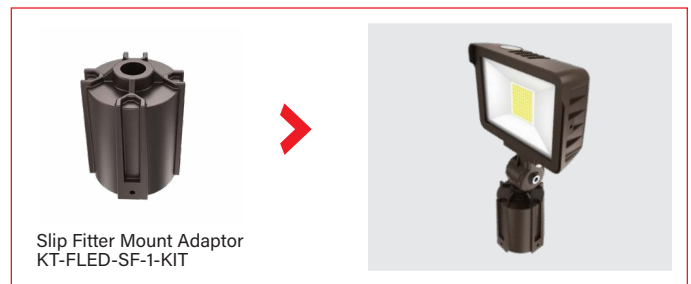
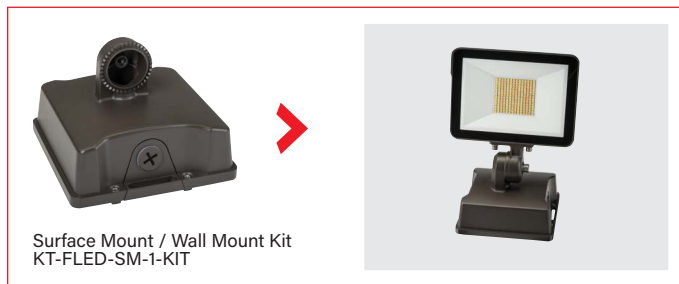
| ✓ | SUFFIX* | CATALOG NUMBER    | DESCRIPTION   | UPC          | EASY CODE |
|---|---------|-------------------|---|--------------|-----------|
|   | /515P6  | KT-CS-515P-6-18/3 | Cord set; 125V NEMA 5-15P; straight blade plug; 6' SJTOW cable; 18/3 wire | 843654140124 | UKH-26    |

\* For factory installation of accessory, add suffix to fixture part number (see ordering examples and instructions on last page of spec sheet).  
**Note:** For cord sets not listed here, please contact your Keystone sales rep.

#### MOUNTS AND BRACKETS

**Field-Installable** (field-installable options must be purchased separately)

| ✓ | SUFFIX* | CATALOG NUMBER   | DESCRIPTION   | UPC          | EASY CODE |
|---|---------|------------------|---|--------------|-----------|
|   | N/A     | KT-FLED-SM-1-KIT | Surface Mount / Wall Mount Kit for Series 1 Flood Lights. Fits 15W thru 60W fixtures. Includes Mounting Hardware. Standard Bronze Housing | 843654129167 | HZJ-35    |
|   | N/A     | KT-FLED-RC-4     | Round Cover Plate for mounting Floodlights on 4" Round boxes. Includes Mounting Hardware. Standard Bronze Color                           | 843654129181 | IOI-49    |
|   | N/A     | KT-FLED-WG-1-KIT | Wire Guard for 15W Rectangular Series 1 LED Floodlight  | 843654138824 | GEJ-72    |
|   | N/A     | KT-FLED-SF-1-KIT | Slip Fitter Mount Adaptor for 15W, 35W, and 60W Rectangular Series 1 LED Floodlight. Bronze   | 843654153308 | TZP-68    |



# FL-LED-R1A-15-8CSB-KY

## COMPACT 15W GENERAL-PURPOSE LED FLOOD LIGHT

### ORDERING INFORMATION

| CATALOG NUMBER        | PACK QTY. | UPC          |
|-----------------------|-----------|--------------|
| FL-LED-R1A-15-8CSB-KY | 1         | 843654133515 |

### CATALOG NUMBER BREAKDOWN

# FL-LED-R1A-15-8CSB-KY

| 1                           | 2              | 3           | 4                     | 5            | 6                        | 7               | 8 | 9                           | 10                         |
|-----------------------------|----------------|-------------|-----------------------|--------------|--------------------------|-----------------|---|-----------------------------|----------------------------|
| <b>1 Floodlight</b>         |                |             |                       |              |                          |                 |   |                             |                            |
| <b>2 LED</b>                |                |             |                       |              |                          |                 |   |                             |                            |
| <b>3 Shape</b>              |                |             |                       |              |                          |                 |   |                             |                            |
| <b>4 Series Designation</b> |                |             |                       |              |                          |                 |   |                             |                            |
| <b>5 Distribution</b>       |                |             |                       |              |                          |                 |   |                             |                            |
| <b>6 Wattage</b>            |                |             |                       |              |                          |                 |   |                             |                            |
| <b>7 80 CRI</b>             |                |             |                       |              |                          |                 |   |                             |                            |
| <b>8 CCT Selectable</b>     |                |             |                       |              |                          |                 |   |                             |                            |
| <b>9 CCT Designation</b>    |                |             |                       |              |                          |                 |   |                             |                            |
| <b>10 Mounting</b>          |                |             |                       |              |                          |                 |   |                             |                            |
|                             | <b>2 Shape</b> |             |                       |              |                          |                 |   | <b>4 Series Designation</b> |                            |
|                             | R              | Rectangular |                       |              |                          |                 |   | 1                           | General Purpose Floodlight |
|                             |                |             | <b>7 Distribution</b> |              |                          |                 |   | <b>8 Mounting</b>           |                            |
|                             |                |             | A                     | NEMA 7H x 7V |                          |                 |   | UNV                         | Universal                  |
|                             |                |             |                       |              | <b>9 CCT Designation</b> |                 |   | <b>10 Mounting</b>          |                            |
|                             |                |             |                       |              | B                        | 3000/4000/5000K |   | K                           | Knuckle Mount              |
|                             |                |             |                       |              |                          |                 |   | Y                           | Yoke Mount                 |

### ORDERING EXAMPLES

FIXTURE WITH SINGLE FACTORY-INSTALLED ACCESSORY

**FL-LED-R1A-15-8CSB-KY /515P6**

FIXTURE WITH NO FACTORY-INSTALLED ACCESSORIES

**FL-LED-R1A-15-8CSB-KY**

#### KEYSTONE FIXTURE

| CATALOG NUMBER        |
|-----------------------|
| FL-LED-R1A-15-8CSB-KY |

#### CORD SETS

| SUFFIX   | CATALOG NUMBER    |
|----------|-------------------|
| ✓ /515P6 | KT-CS-515P-6-18/3 |