

FL-LED-R1A-60-8CSB-KY

COMPACT 60W GENERAL-PURPOSE LED FLOOD LIGHT



Compact 60W, 120-277V Input

PRODUCT FEATURES

- Uniform, wide flood design (NEMA 7h x 7w distribution pattern)
- Heavy-duty, die cast aluminum housing featuring built-in glare visor and tempered glass lens
- Powered by 0–10V dimming LED drivers
- CCT Selection: Adjustable CCT (3000K, 4000K, or 5000K)
- Built-in dusk-to-dawn photocell behind translucent 3/4" threaded plug with anti-yellowing agent
- Heavy-duty 1/2" knuckle mount with 90° adjustment and yoke mount options included
- Ambient operating temperature: –30°C/–22°F to 45°C/113°F
- UL listed for wet locations, IP65
- 0–10V dimming, 10% min
- Power Factor: >0.95
- THD: <20%
- LED chip lifetime: L70 >100,000 hrs @ 25°C/77°F ambient fixture temp
- Meets FCC Part 15, Part B, Class A standards for conducted and radiated emissions
- 18" input cable, pre-stripped
- Fixture impact rating IK07



10 YEAR
LIMITED WARRANTY

ELECTRICAL SPECIFICATIONS

Catalog Number	Wattage	Lumens	Dimming	CCT*	Efficacy	CRI	Housing Color	Mounting	Input Voltage	Rated Life	Legacy Equivalent
FL-LED-R1A-60-8CSB-KY	60W	7320 lm	0–10V	3000K	122 lm/W	>80	Bronze	Universal: 1/2" Knuckle or yoke	120–277V	50,000 hrs	250W MH
		8580 lm		4000K	143 lm/W						
		8040 lm		5000K	134 lm/W						

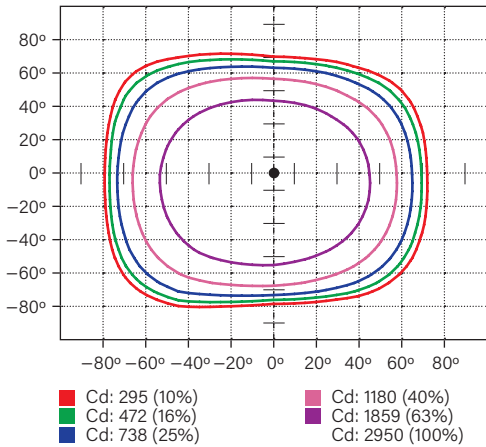
* Color Uniformity: CCT (Correlated Color Temperature) range as per guidelines outlined in ANSI C78.377-2017

FL-LED-R1A-60-8CSB-KY

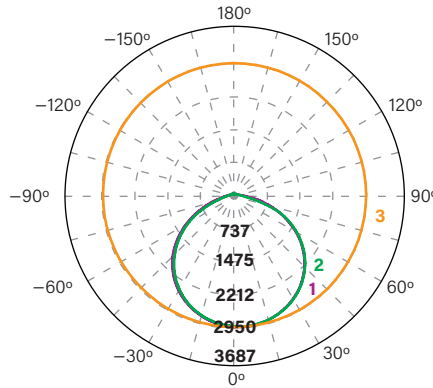
COMPACT 60W GENERAL-PURPOSE LED FLOOD LIGHT

PHOTOMETRIC SPECIFICATIONS

ISOCANDELA PLOT



LUMINOUS INTENSITY DISTRIBUTION



Average diffuse angle (50%): **114.9°**

- 1 Violet** C0 – C180
- 2 Green** C90 – C270
- 3 Orange** G2

Unit: cd

FLUX DISTRIBUTION

Zone	Lumens	% Luminaire
Forward Light	4,171 lm	50.8%
0°–30°	1,159 lm	14.1%
30°–60°	2,300 lm	28.0%
60°–80°	699 lm	8.5%
80°–90°	14 lm	0.2%
Back Light	3,981 lm	48.4%
0°–30°	1,146 lm	13.9%
30°–60°	2,200 lm	26.8%
60°–80°	624 lm	7.6%
80°–90°	11 lm	0.1%
Up Light	65 lm	0.8%
90°–100°	3 lm	0.0%
100°–180°	61 lm	0.7%

BUG* Rating

Asymmetrical Luminaire Types

Type I, II, III, IV B3 U2 G2

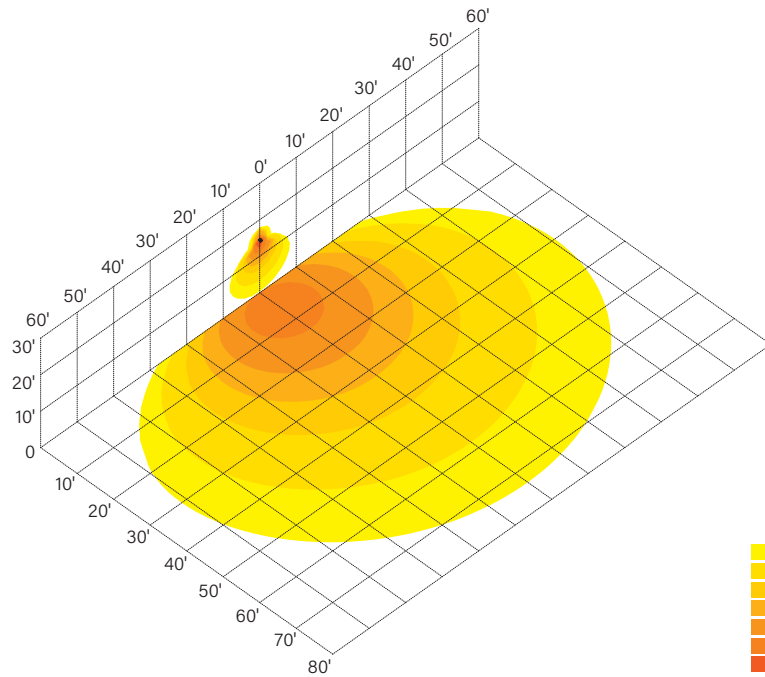
Quadrilateral Symmetrical Luminaire Types

Type V, Area Light B3 U2 G1

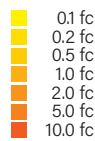
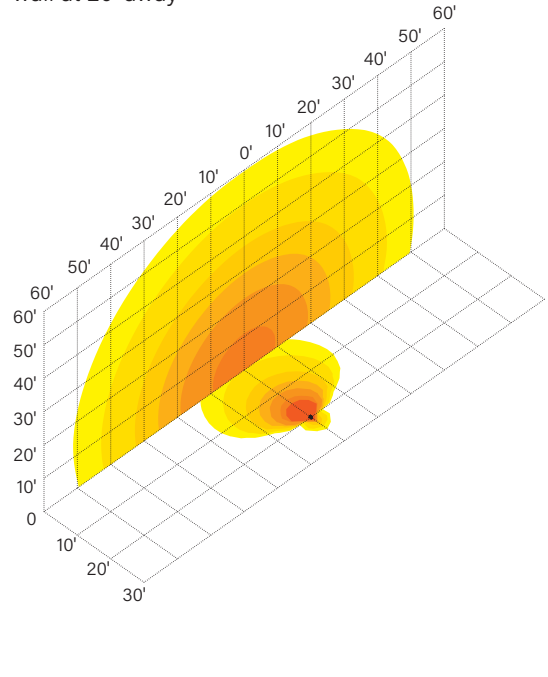
* Backlight, Uplight, Glare

LIGHT DISTRIBUTION PATTERNS (Isometric view from above)

Building exterior mounted at 15',
30° below horizontal



Ground mounted at 6" above ground,
10° above horizontal, shining towards building exterior
wall at 20' away

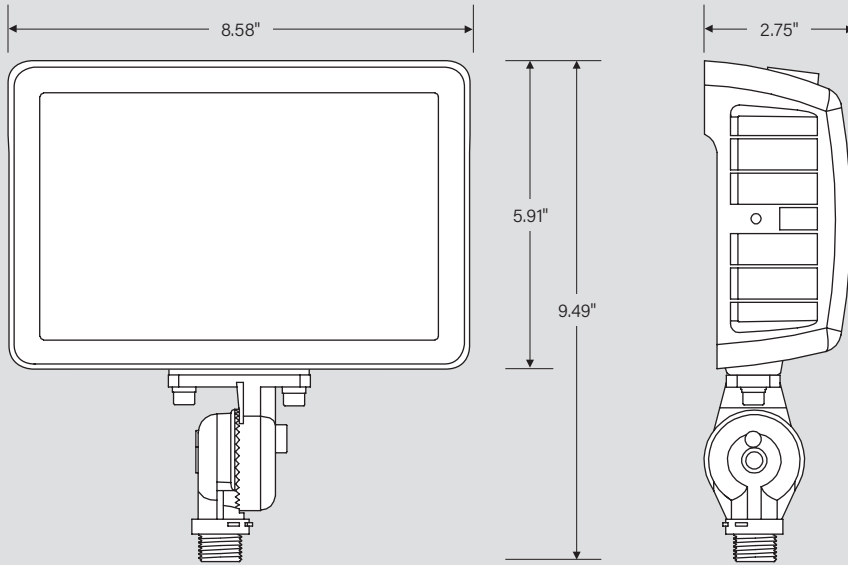


FL-LED-R1A-60-8CSB-KY

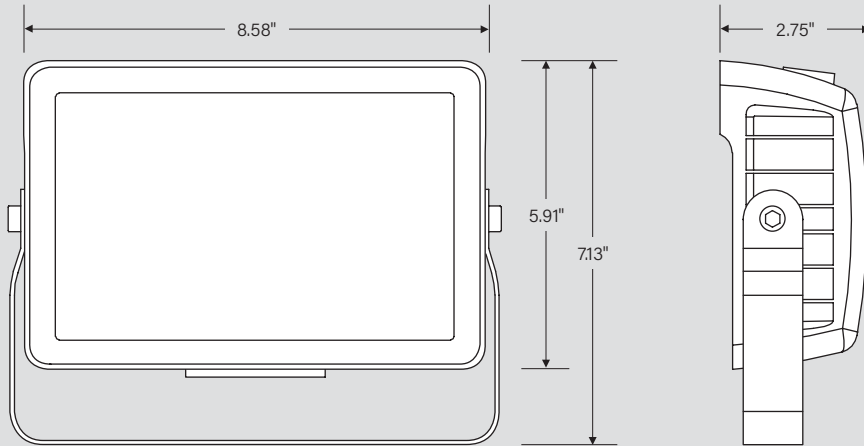
COMPACT 60W GENERAL-PURPOSE LED FLOOD LIGHT

PHYSICAL SPECIFICATIONS

KNUCKLE MOUNT



YOKE MOUNT

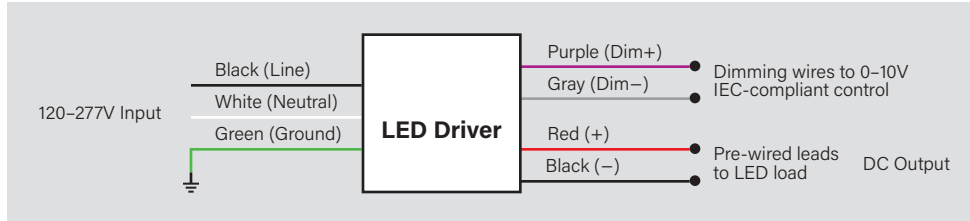


FL-LED-R1A-60-8CSB-KY

COMPACT 60W GENERAL-PURPOSE LED FLOOD LIGHT

GENERAL SETUP INSTRUCTIONS

GENERAL WIRING DIAGRAM



Caution: Before installing, make certain that AC power to the fixture is off.

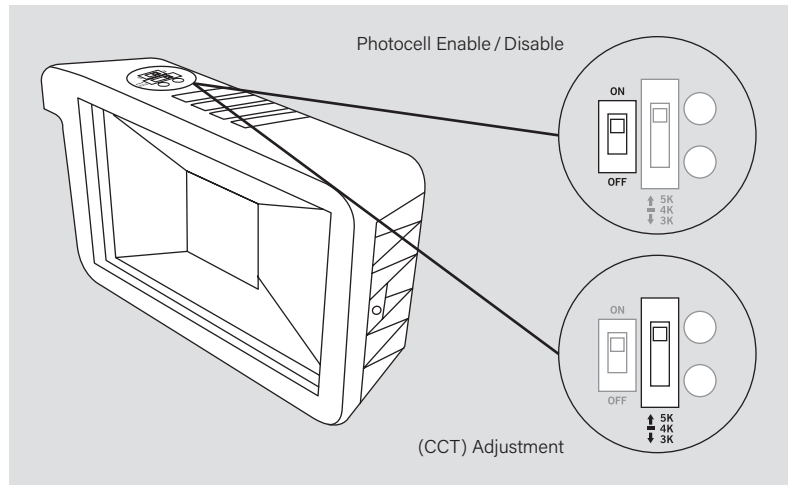
Caution: The electrical rating of this product is 120-277V. Installer must confirm that there is 120-277V at the fixture before installation.

PHOTOCELL ENABLE / DISABLE

This fixture is equipped with a dusk-to-dawn photocell behind the translucent knock-out (KO) cover. Adjust the dip switch to enable (ON) or disable (OFF) the photocell function (see illustrations to the right). Fixture comes preset with photocell enabled unless otherwise noted.

(CCT) ADJUSTMENT

This fixture is equipped with CCT Selection. There is an adjustable dip switch behind the translucent knock-out (KO) cover to change CCT between 5000K, 4000K, and 3000K (see illustrations to the right). Fixture comes preset at 5000K unless otherwise noted.



FL-LED-R1A-60-8CSB-KY

COMPACT 60W GENERAL-PURPOSE LED FLOOD LIGHT

ACCESSORIES (SOLD SEPARATELY)

CORD SETS

Factory-Installable OR Field-Installable (field-installable options must be purchased separately)

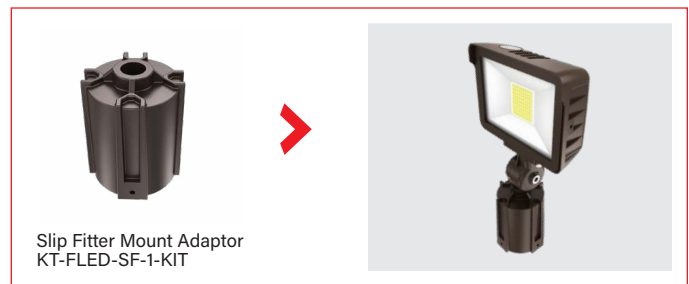
✓	SUFFIX*	CATALOG NUMBER	DESCRIPTION	UPC	EASY CODE
	/515P6	KT-CS-515P-6-18/3	Cord set; 125V NEMA 5-15P; straight blade plug; 6' SJTOW cable; 18/3 wire	843654140124	UKH-26

* For factory installation of accessory, add suffix to fixture part number (see ordering examples and instructions on last page of spec sheet).
Note: For cord sets not listed here, please contact your Keystone sales rep.

MOUNTS AND BRACKETS

Field-Installable (field-installable options must be purchased separately)

✓	SUFFIX*	CATALOG NUMBER	DESCRIPTION	UPC	EASY CODE
	N/A	KT-FLED-SM-1-KIT	Surface Mount / Wall Mount Kit for Series 1 Flood Lights. Fits 15W thru 60W fixtures. Includes Mounting Hardware. Standard Bronze Housing	843654129167	HZJ-35
	N/A	KT-FLED-RC-4	Round Cover Plate for mounting Floodlights on 4" Round boxes. Includes Mounting Hardware. Standard Bronze Color	843654129181	IOI-49
	N/A	KT-FLED-WG-3-KIT	Wire Guard for 60W Rectangular Series 1 LED Floodlight	843654138848	BME-93
	N/A	KT-FLED-SF-1-KIT	Slip Fitter Mount Adaptor for 15W, 35W, and 60W Rectangular Series 1 LED Floodlight. Bronze	843654153308	TZP-68



FL-LED-R1A-60-8CSB-KY

COMPACT 60W GENERAL-PURPOSE LED FLOOD LIGHT

ORDERING INFORMATION

CATALOG NUMBER	PACK QTY.	UPC
FL-LED-R1A-60-8CSB-KY	1	843654133539

CATALOG NUMBER BREAKDOWN

FL-LED-R1A-60-8CSB-KY

1	2	3	4	5	6	7	8	9	10
1 Floodlight									
2 LED									
3 Shape									
4 Series Designation									
5 Distribution									
6 Wattage									
7 80 CRI									
8 CCT Selectable									
9 CCT Designation									
10 Mounting									
	2 Shape							4 Series Designation	
	R	Rectangular						1	General Purpose Floodlight
			7 Distribution					8 Mounting	
			A	NEMA 7H x 7V				UNV	Universal
					9 CCT Designation			10 Mounting	
					B	3000/4000/5000K		K	Knuckle Mount
								Y	Yoke Mount

ORDERING EXAMPLES

FIXTURE WITH SINGLE FACTORY-INSTALLED ACCESSORY

FL-LED-R1A-60-8CSB-KY /515P6

FIXTURE WITH NO FACTORY-INSTALLED ACCESSORIES

FL-LED-R1A-60-8CSB-KY

KEYSTONE FIXTURE

CATALOG NUMBER
FL-LED-R1A-60-8CSB-KY

CORD SETS

SUFFIX	CATALOG NUMBER
✓ /515P6	KT-CS-515P-6-18/3