

# FL-LED-R1A-75-8CSB-ST

## COMPACT 75W GENERAL-PURPOSE LED FLOOD LIGHT



Compact 75W, 120-277V Input

### PRODUCT FEATURES

- Uniform, wide flood design (NEMA 7h x 7w distribution pattern)
- Heavy-duty, die cast aluminum housing featuring built-in glare visor and tempered glass lens
- Powered by 0-10V dimming LED drivers
- CCT Selection: Adjustable CCT (3000K, 4000K, or 5000K)
- Built-in dusk-to-dawn photocell behind translucent 3/4" threaded plug with anti-yellowing agent
- Heavy-duty slip fitter mount and trunnion mount options included
- Ambient operating temperature: -40°C/-40°F to 45°C/113°F
- UL listed for wet locations, IP65
- 0-10V dimming, 10% min
- Power Factor: >0.95
- THD: <20%
- LED chip lifetime: L70 >100,000 hrs @ 25°C/77°F ambient fixture temp
- Meets FCC Part 15, Part B, Class A standards for conducted and radiated emissions
- 18" input cable, pre-stripped
- Fixture impact rating IK07



**10 YEAR**  
LIMITED WARRANTY

### ELECTRICAL SPECIFICATIONS

Catalog Number	Wattage	Lumens	Dimming	CCT*	Efficacy	CRI	Housing Color	Mounting	Input Voltage	Rated Life	Legacy Equivalent
FL-LED-R1A-75-8CSB-ST	75W	9150 lm	0-10V	3000K	122 lm/W	>80	Bronze	Universal: 2 3/8" Slip fitter or trunnion	120-277V	50,000 hrs	250-320W MH
		10725 lm		4000K	143 lm/W						
		10050 lm		5000K	134 lm/W						

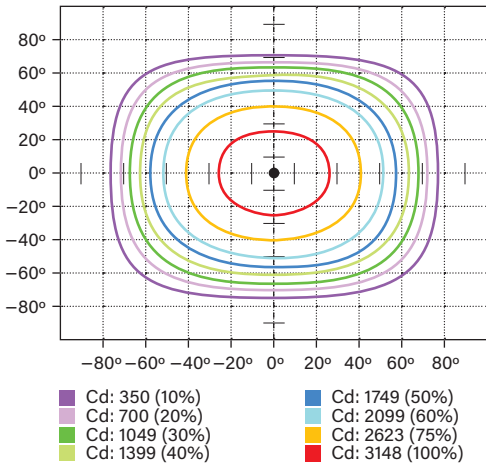
\* Color Uniformity: CCT (Correlated Color Temperature) range as per guidelines outlined in ANSI C78.377-2017

# FL-LED-R1A-75-8CSB-ST

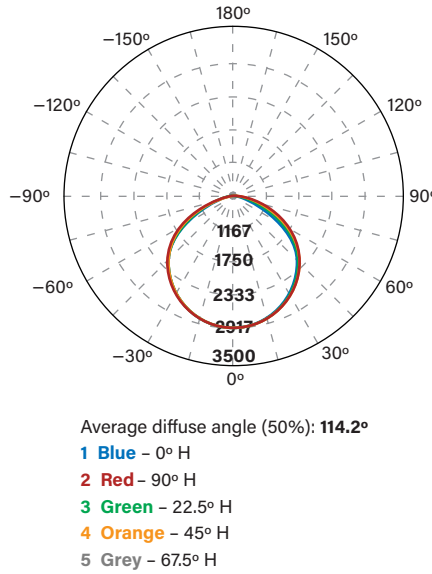
## COMPACT 75W GENERAL-PURPOSE LED FLOOD LIGHT

### PHOTOMETRIC SPECIFICATIONS

#### ISOCANDELA PLOT



#### LUMINOUS INTENSITY DISTRIBUTION

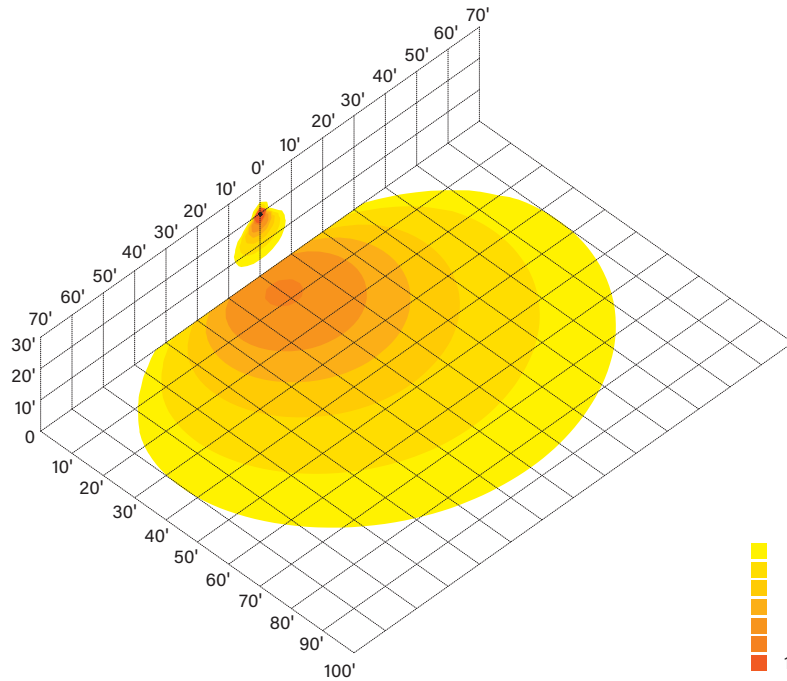


#### FLUX DISTRIBUTION

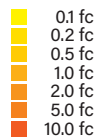
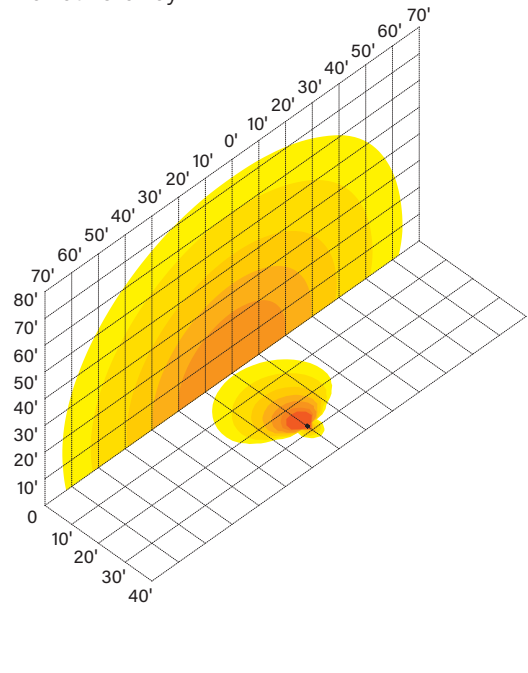
Zone	Lumens	% Luminaire
<b>Forward Light</b>	4,702 lm	49.6%
0°-30°	1,377 lm	14.4%
30°-60°	2,659 lm	27.8%
60°-80°	696 lm	7.3%
80°-90°	10 lm	0.1%
<b>Back Light</b>	4,814 lm	50.4%
0°-30°	1,366 lm	14.3%
30°-60°	2,644 lm	27.7%
60°-80°	788 lm	8.2%
80°-90°	16 lm	0.2%
<b>Up Light</b>	0 lm	0.0%
90°-100°	0 lm	0.0%
100°-180°	0 lm	0.0%

### LIGHT DISTRIBUTION PATTERNS (Isometric view from above)

Building exterior mounted at 20',  
30° below horizontal



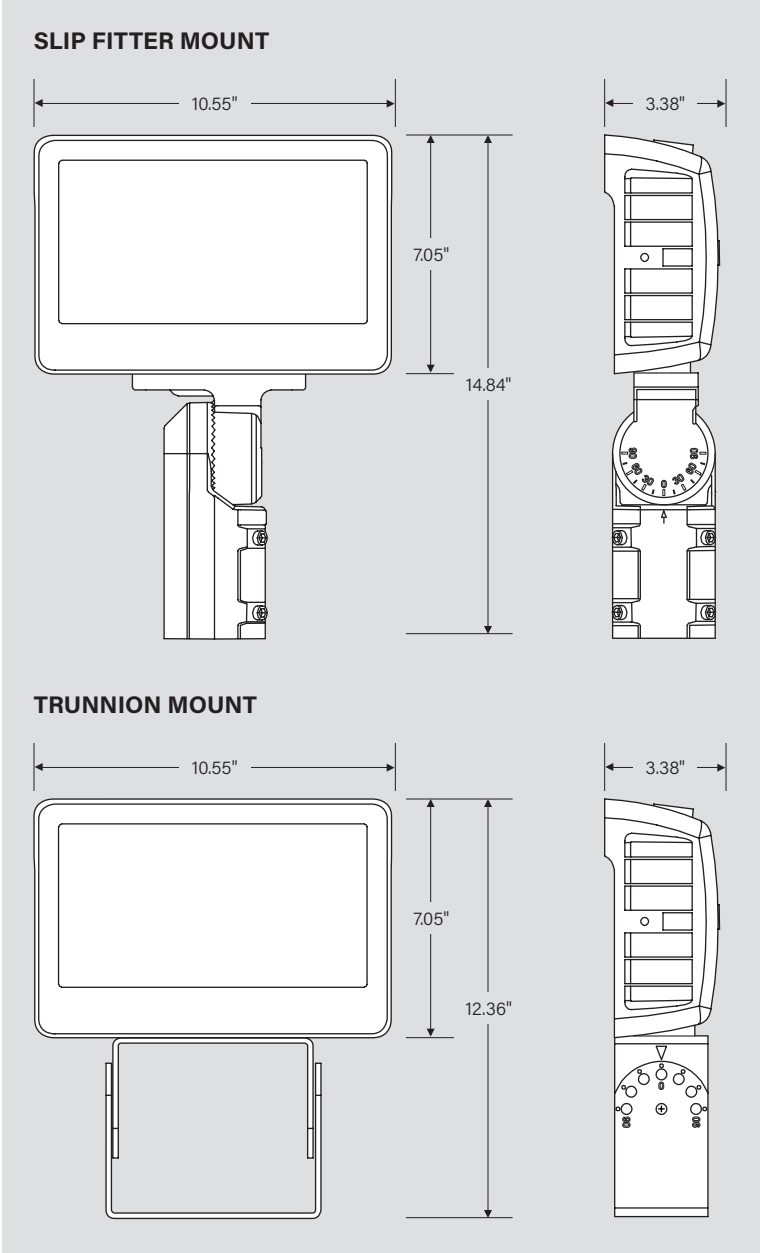
Ground mounted at 6" above ground,  
10° above horizontal, shining towards building exterior  
wall at 28' away



# FL-LED-R1A-75-8CSB-ST

COMPACT 75W GENERAL-PURPOSE LED FLOOD LIGHT

## PHYSICAL SPECIFICATIONS

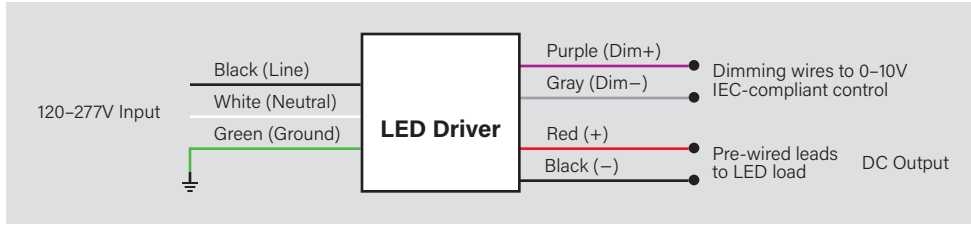


# FL-LED-R1A-75-8CSB-ST

## COMPACT 75W GENERAL-PURPOSE LED FLOOD LIGHT

### GENERAL SETUP INSTRUCTIONS

#### GENERAL WIRING DIAGRAM



**Caution:** Before installing, make certain that AC power to the fixture is off.

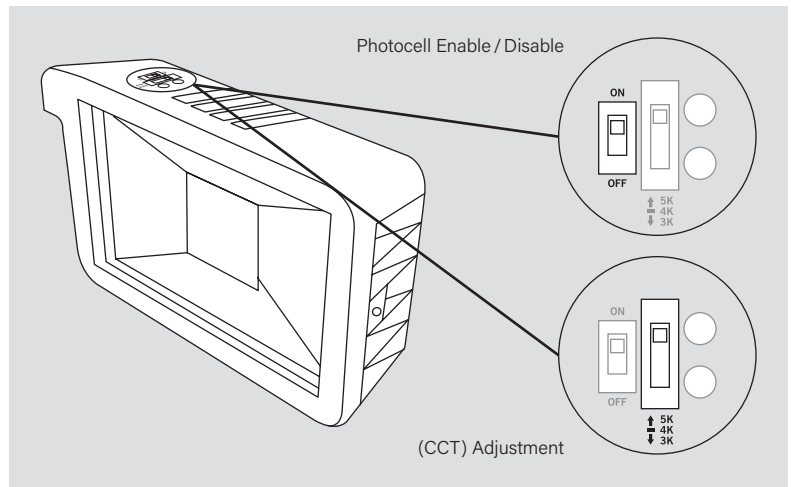
**Caution:** The electrical rating of this product is 120-277V. Installer must confirm that there is 120-277V at the fixture before installation.

#### PHOTOCELL ENABLE / DISABLE

This fixture is equipped with a dusk-to-dawn photocell behind the translucent knock-out (KO) cover. Adjust the dip switch to enable (ON) or disable (OFF) the photocell function (see illustrations to the right). Fixture comes preset with photocell enabled unless otherwise noted.

#### (CCT) ADJUSTMENT

This fixture is equipped with CCT Selection. There is an adjustable dip switch behind the translucent knock-out (KO) cover to change CCT between 5000K, 4000K, and 3000K (see illustrations to the right). Fixture comes preset at 5000K unless otherwise noted.



# FL-LED-R1A-75-8CSB-ST

## COMPACT 75W GENERAL-PURPOSE LED FLOOD LIGHT

### ACCESSORIES (SOLD SEPARATELY)

#### CORD SETS

**Factory-Installable OR Field-Installable** (field-installable options must be purchased separately)

✓	SUFFIX*	CATALOG NUMBER	DESCRIPTION	UPC	EASY CODE
	/515P6	KT-CS-515P-6-18/3	Cord set; 125V NEMA 5-15P; straight blade plug; 6' SJTOW cable; 18/3 wire	843654140124	UKH-26

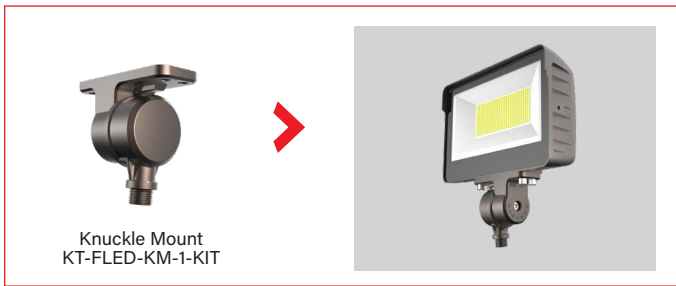
\*For factory installation of accessory, add suffix to fixture part number (see ordering examples and instructions on last page of spec sheet).  
**Note:** For cord sets not listed here, please contact your Keystone sales rep.

### ACCESSORIES (continued)

#### MOUNTS AND BRACKETS

**Field-Installable** (field-installable options must be purchased separately)

CATALOG NUMBER	DESCRIPTION	UPC	EASY CODE
KT-FLED-KM-1-KIT	Knuckle Mount for 75W and 100W Rectangular Series 1 LED Floodlight. Includes Mounting Hardware. Standard Bronze Housing.	843654146836	JAR-10
KT-FLED-WG-4-KIT	Wire guard for 75W and 100W Rectangular Series 1 LED Floodlight	843654138855	EFZ-60



# FL-LED-R1A-75-8CSB-ST

COMPACT 75W GENERAL-PURPOSE LED FLOOD LIGHT

## ORDERING INFORMATION

CATALOG NUMBER	PACK QTY.	UPC
FL-LED-R1A-75-8CSB-ST	1	843654133546

## CATALOG NUMBER BREAKDOWN

# FL-LED-R1A-75-8CSB-ST

1	2	3	4	5	6	7	8	9	10
---	---	---	---	---	---	---	---	---	----

<b>1 Floodlight</b>	<b>2 Shape</b>	<b>4 Series Designation</b>
<b>2 LED</b>	R Rectangular	1 General Purpose Floodlight
<b>3 Shape</b>		
<b>4 Series Designation</b>	<b>7 Distribution</b>	<b>8 Mounting</b>
<b>5 Distribution</b>	A NEMA 7H x 7V	UNV Universal
<b>6 Wattage</b>		
<b>7 80 CRI</b>	<b>9 CCT Designation</b>	<b>10 Mounting</b>
<b>8 CCT Selectable</b>	B 3000/4000/5000K	K Knuckle Mount
<b>9 CCT Designation</b>		Y Yoke Mount
<b>10 Mounting</b>		

## ORDERING EXAMPLES

FIXTURE WITH SINGLE FACTORY-INSTALLED ACCESSORY

**FL-LED-R1A-75-8CSB-ST /515P6**

FIXTURE WITH NO FACTORY-INSTALLED ACCESSORIES

**FL-LED-R1A-75-8CSB-ST**

### KEYSTONE FIXTURE

CATALOG NUMBER
FL-LED-R1A-75-8CSB-ST

### CORD SETS

SUFFIX	CATALOG NUMBER
✓ /515P6	KT-CS-515P-6-18/3